



RC8B TEAM KIT



#80940 RC8B3.2e TEAM KIT

1:8 Scale Electric 4WD Off Road Competition Buggy Kit Manual & Catalog



CHAMPIONS *by* DESIGN

AssociatedElectrics.com

TEAM ASSOCIATED

:: Introduction

Thank you for purchasing this Team Associated product. This assembly manual contains instructions and tips for building and maintaining your new Kit. Please take a moment to read through this manual to help familiarize yourself with these steps. We are continually changing and improving our designs; therefore, actual parts may appear slightly different than in the illustrations. New parts will be noted on supplementary sheets located in the appropriate parts bags. Check each bag for these sheets before you start to build.

:: KIT Features

Features in the RC8B3.2e Kit:

- New suspension arm design with inserts for flex adjustments
- Longer rear suspension arm length with narrow rear arm mounts
- New stiff shock bladder design improves jumping and handling performance
- Updated shock cap works for bladder or emulsion style shock setups
- Shorter and lower front bumper reduces drag and allows easier access to anti-roll bar screws
- I.F.M.A.R. approved rear wing
- 42T ring and 12T pinion gears on front and rear differentials for improved gear ratios
- Updated chassis with chamfered front edges to reduce drag
- Side guards are now threaded into the chassis from the top side of the car
- Two-piece sliding motor mount for easy gear mesh adjustment and motor removal
- 90% parts compatibility with RC8B3.1e

:: Additional

Your new RC8B3.2e Kit comes as a kit. There are some items you will need to complete your kit (refer to catalog for suggestions):

- | | |
|--|-------------------------------------|
| • 2 or 3 channel radio/transmitter - /2.4GHz recommended | • Transmitter batteries |
| • 1/8th scale sized motor (#27405, #27406) | • 1/8th scale sized ESC (#27007) |
| • 4s LiPo Battery Pack (#27341, #27342) | • Polycarbonate-specific paint |
| • Steering servo - (#27101, #27115) | • Thread-locking compound - (#1596) |
| • 1:8 scale buggy tires | • CA (cyanoacrylic) glue - (#1597) |
| • Needle-nose pliers | • Reamer / hole punch |
| • 1:8 scale buggy wheels | • Ride height gauge |
| • Hobby knife | |

:: Other Helpful Items

- | | |
|---|---|
| • Silicone Shock/Diff Fluids (Refer to catalog for complete listings) | • Body Scissors (AE #1737) |
| • Shock Pliers - (#1675) | • FT Hex Wrenches / Nut Drivers - (#1519) |
| • Reamer / Hole Punch - (#1499) | • Calipers or a Precision Ruler |
| • Ride Height Gauge - (#1449) | • Wheel Nut Wrench 17mm - (#1571) |
| • FT 5.0mm Hex Driver - (#1506) | |
| • FT Hex Wrenches - (#1518) | |
| • Wire Cutters | |
| • Turnbuckle Wrench - (#1114) | |
| • Scissors - (#1737) | |

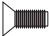












Associated Electrics, Inc.
21062 Bake Parkway
Lake Forest, CA 92630















Customer Service
Tel: 949.544.7500
Fax: 949.544.7501

:: Hardware - 1:1 Scale View







Flat Head (fhcs)

	2.5x6mm (4675)
	2.5x8mm (31448)
	3x6mm (31541)
	3x8mm (25201) Titanium (91592)
	3x10mm (25202) Titanium (91593)
	3x12mm (25203) Titanium (91594)
	3x14mm (89208) Titanium (91595)
	3x30mm (89212)
	4x10mm (81262)
	4x12mm (89214)
	4x14mm (89217)
	4x16mm (81263)
	4x20mm (81264)








Button Head (bhcs)

	2x4mm (91492)
	2.5x6mm (31520)
	2.5x8mm (31521)
	2.5x18mm (81259)
	3x6mm (31531) Titanium (91580)
	3x10mm (25211)
	3x14mm (25187) Titanium (91584)
	3x16mm (89203) Titanium (91585)
	3x20mm (25188)
	3x24mm (89204) Titanium (91589)
	4x14mm (81260)
	4x16mm (81261)










Set Screws

	3x3mm (25225)
	3x6mm (81257)
	3x10mm (4671)
	3x12mm (81258)
	4x4mm (7732)
	5x4mm (89221)







Ball Bearings

	5x8x2.5mm (8680)
	5x10x4mm (91560)
	6x10x3mm (31404)
	6x12x4mm (91561)
	8x16x5mm (91564)
	8x16x5mm flanged (91565)
	15x21x4mm (91566)






Nuts (lock/plain)

	M2.5 LockNut, Silver (89215)
	M3 Nut (91477)
	M3 Alum. Locknut, Blue (31550)
	M3 Locknut, Black (25215)
	M3 Locknut w/Flange (25612)
	FT 3mm Locknuts, Blue(25392)
	M4 Locknut (89216)
	FT M4 Locknut, Blue (31551)
	M4 Locknut, Serrated (91738)

Washers / Shims

	5.5x0.5mm (31381)
	5.5x1.0mm (31382)
	5.5x2.0mm (31383)
	2.6x6mm Washer (89278)
	Bulkhead Washers 7.8x2.0mm, Blue (31386)
	3x8mm Washer (89218)

Socket Head (shcs)

	2x5mm (31511)
	2x16mm (7184)
	3x8mm (89223)
	3x10mm (25620)
	3x24mm (89225)

:: Table of Contents

1..... Cover	16 - 18.....Rear End Build (Bag 7.1, 7.2, 7.3)
2..... Introduction	19.....Rear Hubs Build (Bag 8.1, 8.2)
3..... 1:1 Hardware "Fold Out"	20.....Center Bulkhead Build (Bag 9.1, 9.2)
4..... Table of Contents	20 - 21.....Battery Tray Build (Bag 10.1, 10.2)
5 - 7.....Differentials Build (Bag 1.1, 1.2)	22.....Receiver Box Build (Bag 11.1, 11.2)
7 - 8.....Shocks Build (Bag 2.1)	23.....Wheels / Tires / Body (Misc.)
9.....Turnbuckles Build (Bag 3.1, 3.2)	24 - 33.....Droop Settings / Catalog
10 - 11.....Steering / Chassis Build (Bag 4.1, 4.2)	34..... Back Cover
11 - 14.....Front Gearbox Build (Bag 5.1, 5.2, 5.3)	
14 - 15.....Steering Blocks Build (Bag 6.1, 6.2)	

:: Notes



This symbol indicates a special note or instruction in the manual.



This symbol indicates a Racers Tip.



There is a 1:1 hardware foldout page in the front of the manual. To check the size of a part, line up your hardware with the correct drawing until you find the exact size. Each part in the foldout has a number assigned to it for ordering replacement parts.

**Associated Electrics, Inc.
21062 Bake Parkway.
Lake Forest, CA 92630**



**Customer Service
Tel: 949.544.7500
Fax: 949.544.7501**

:: Differential Build (Front and Rear) - Bag 1.1, 1.2 - Step 1

#6588 black grease

81379
Diff Case

81385
Outdrive O-Ring
5.8x1.9mm

91564
8x16x5 Bearing

81381
Diff Shim
6x8x0.20mm

#6588 black grease

81008
15mm Outdrive,
Rear Diff

81012
17mm Outdrive,
Front Diff

81380
Pin
2.5x12mm

81380
Diff Sun Gear, 20T,
HTC

Set aside 13x15.8mm shims until diff install

Align pin with groove in sun gear

:: Differential Build (Front and Rear) - Bag 1.1, 1.2 - Step 2

81381 x4
Diff Shim
3.6x12x0.12mm

81380 x2
Diff Crosspin

81380 x4
Diff Planet Gear, 10T,
HTC

Racer's Tip:
You can use #81385 planet o-ring between the planet gears and the diff shims as a tuning option.
Do not install 3.3x1.5mm planet o-ring for kit setup.

:: Differential Build (Front and Rear) - Bag 1.1, 1.2 - Step 3

#6588 black grease

81009
Diff Ring Gear, 42T

81385
Outdrive O-Ring
5.8x1.9mm

91564
8x16x5 Bearing

81381
Diff Shim
6x8x0.20mm

#6588 black grease

81008
15mm Outdrive,
Rear Diff

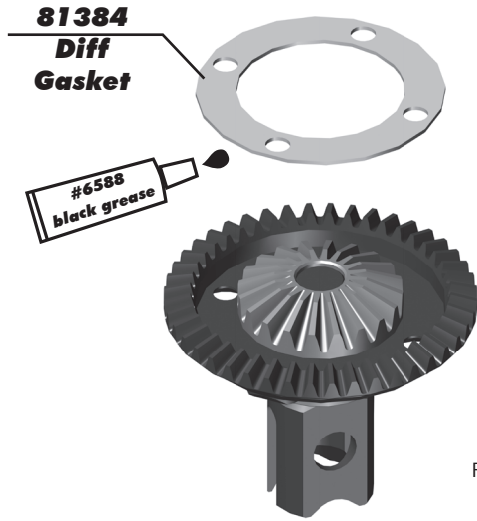
81012
17mm Outdrive,
Front Diff

81380
Pin
2.5x12mm

81380
Diff Sun Gear, 20T,
HTC

Align pin with groove in sun gear

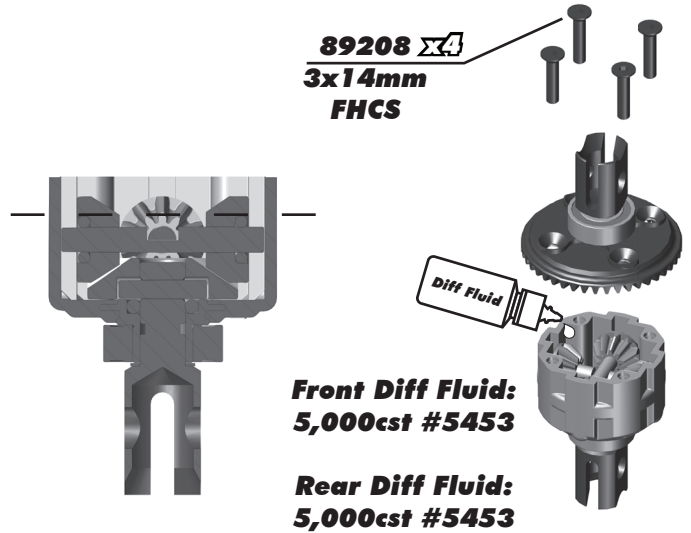
:: Differential Build (Front and Rear) - Bag 1.1, 1.2 - Step 4



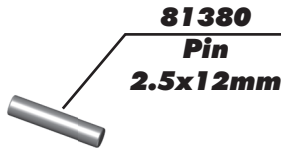
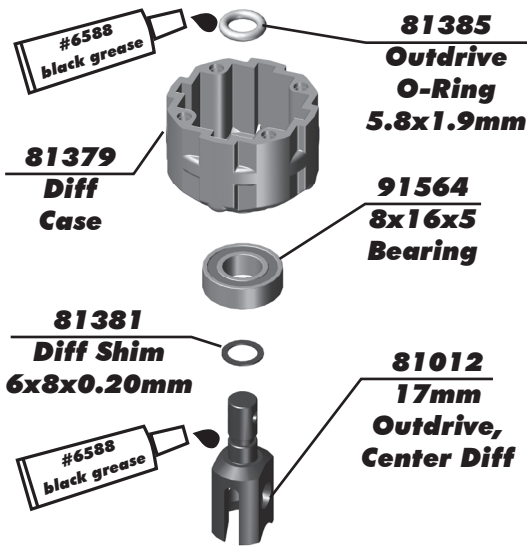
Racer's Tip:
Use black grease (#6588) to coat the diff gasket before installation!



Racer's Tip:
Fill diff above the cross pins, below the planet gears as shown.



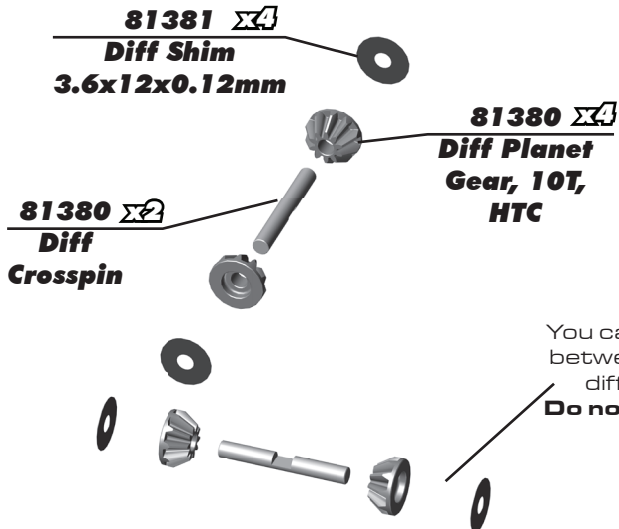
:: Differential Build (Center) - Bag 1.1, 1.2 - Step 5



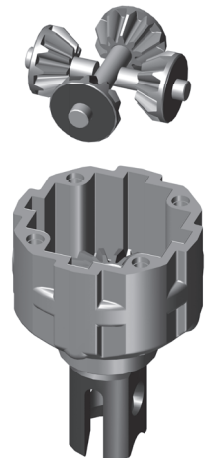
81380
Diff Sun Gear, 20T, HTC

Align pin with groove in sun gear

:: Differential Build (Center) - Bag 1.1, 1.2 - Step 6



Racer's Tip:
You can use #81385 planet o-ring between the planet gears and the diff shims as a tuning option. Do not install 3.3x1.5mm planet o-ring for kit setup.



:: Differential Build (Center) - Bag 1.1, 1.2 - Step 7

#6588 black grease

81385
Outdrive
O-Ring
5.8x1.9mm

81380
Pin
2.5x12mm

81389
B3.1e
Plastic Spur
Gear, 46T

91564
8x16x5
Bearing

81381
Diff Shim
6x8x0.20mm

#6588 black grease

81012
17mm
Outdrive,
Center Diff

81380
Diff Sun
Gear, 20T

Align pin with groove in sun gear

:: Differential Build (Center) - Bag 1.1, 1.2 - Step 8

81384
Diff
Gasket

#6588 black grease

89208 Σ 4
3x14mm
FHCS

Diff Fluid

Racer's Tip:
Use black grease (#6588) to coat the diff gasket before installation!

Racer's Tip:
Fill diff above the cross pins, below the planet gears as shown.

Center Diff Fluid:
5,000cst #5453

:: Shocks Build - Bag 2.1 - Step 1

81200
Shock Piston
(8x1.2 tapered)

89215
2.5mm Shock
Piston Locknut

89278 Σ 2
2.6x6mm
Washer

81170
TiN Shock Shaft,
3.5x30.5mm
(Front)

81173
TiN Shock Shaft,
3.5x42.5mm
(Rear)

81160
Shock Body,
30.5mm
(Front)

81161
Shock Body,
39.5mm
(Rear)

81185
Shock Body
O-Ring

81185
O-Ring Hat
Bushing

81188
Shock Body
Seal
Retainer

81186 Σ 2
Shock
O-Ring

81185
O-Ring
Spacer

Install pistons taper down

Set aside shock pins and M3x6mm set screws until shock installation

:: Shocks Build - Bag 2.1 - Step 2

Racer's Tip:
Use green slime (#1105) to lube the o-rings before installation!

81190 Shock Boots

81194 Shock Rod End and Ball

81452 RC8B3.2 Shock Cap

81453 Bladder, Stiff

81181 Shock Cap Insert

91492 2x4mm BHCS

91492 Gasket

When installing the shock bladder, make sure it is correctly seated within the shock cap as shown.

:: Shocks Build - Bag 2.1 - Step 3

Fill to top of shock body.

Front Shock Fluid: 35wt #5429

Rear Shock Fluid: 30wt #5422

Leave a gap when installing the shock cap.

Compress shock shaft fully. Let shock fluid bleed from bleeder screw hole, then tighten the screw.

For more rebound, do not compress shock shaft as far before tightening the shock cap.

:: Shocks Build - Bag 2.1 - Step 4

The springs come with a colored marking pre-installed for easy identification

81221 Spring Collar O-Ring, 20mm

81221 Spring Collar, 20mm

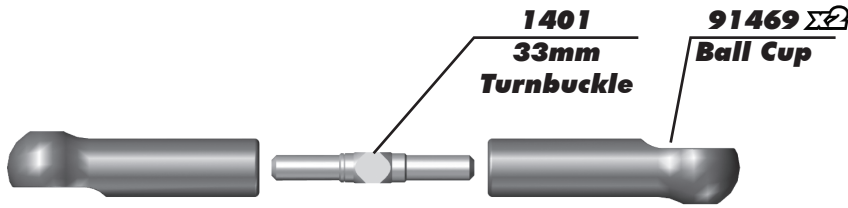
81225 V2 Front Spring, Blue (5.50lb/in)

81231 V2 Rear Spring, Blue (4.30lb/in)

81194 Spring Cup, 20mm

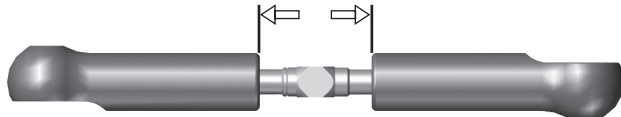
:: Turnbuckles Build - Bag 3.1, 3.2 - Step 1

Steering Servo Turnbuckle



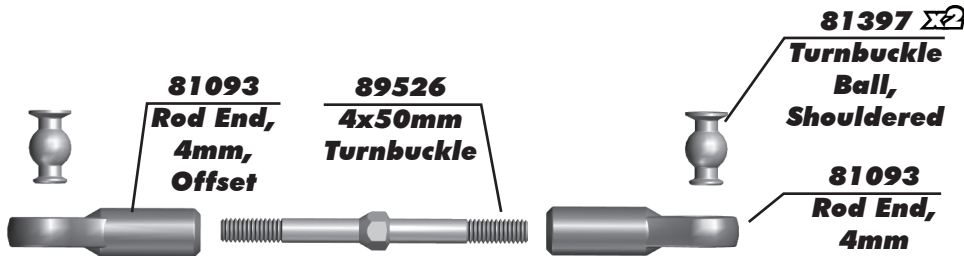

Set aside until page 22

11.50mm (0.45")



:: Turnbuckles Build - Bag 3.1, 3.2 - Step 2

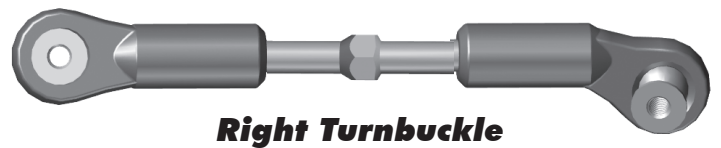
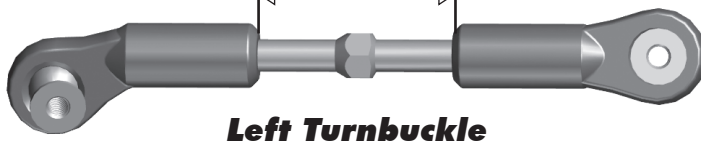
Steering Turnbuckle




Note the direction of turnbuckle ball

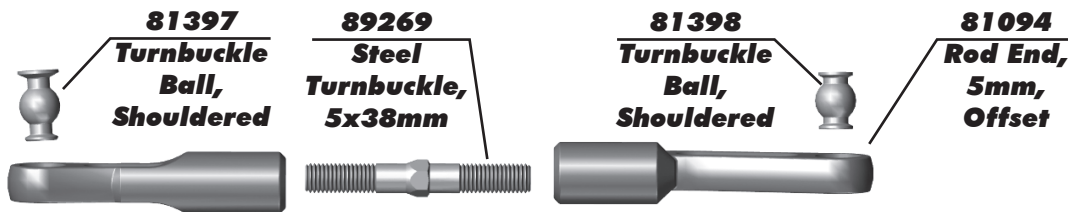
25.00mm (0.98")


Set aside until page 15



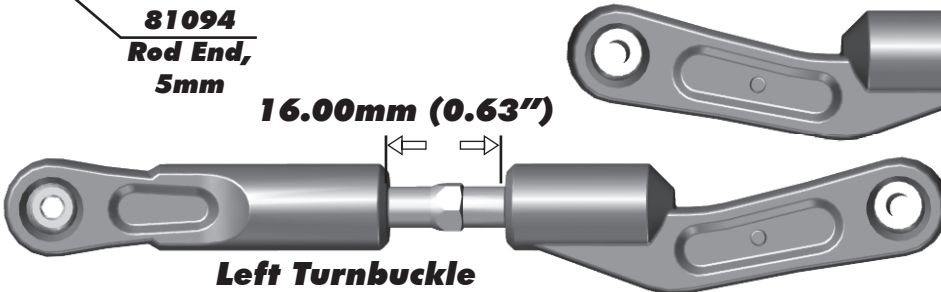
:: Turnbuckles Build - Bag 3.1, 3.2 - Step 3

Rear Hub Turnbuckle

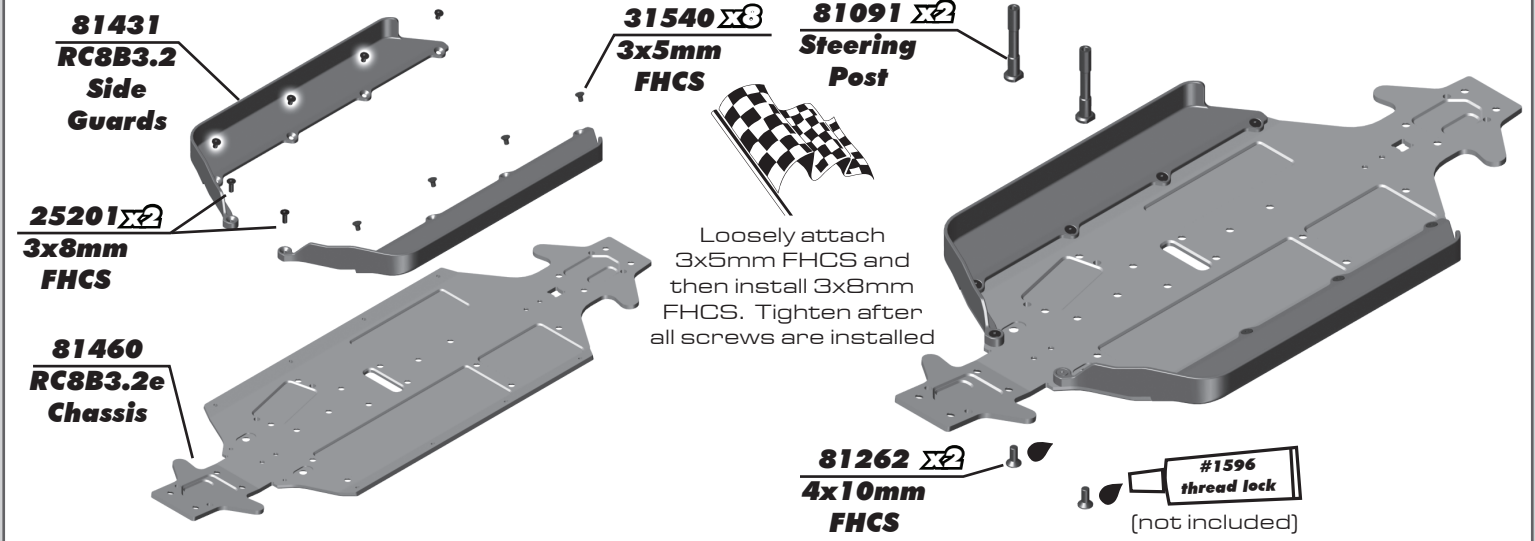



Set aside until page 19

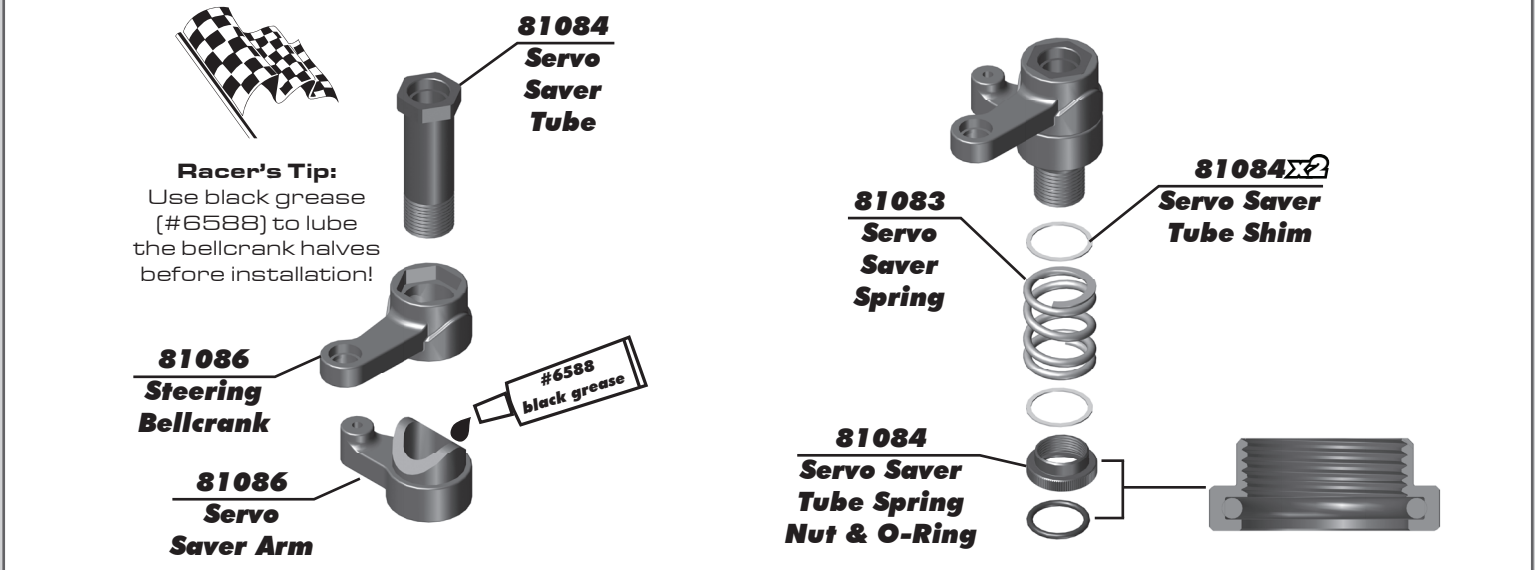
16.00mm (0.63")



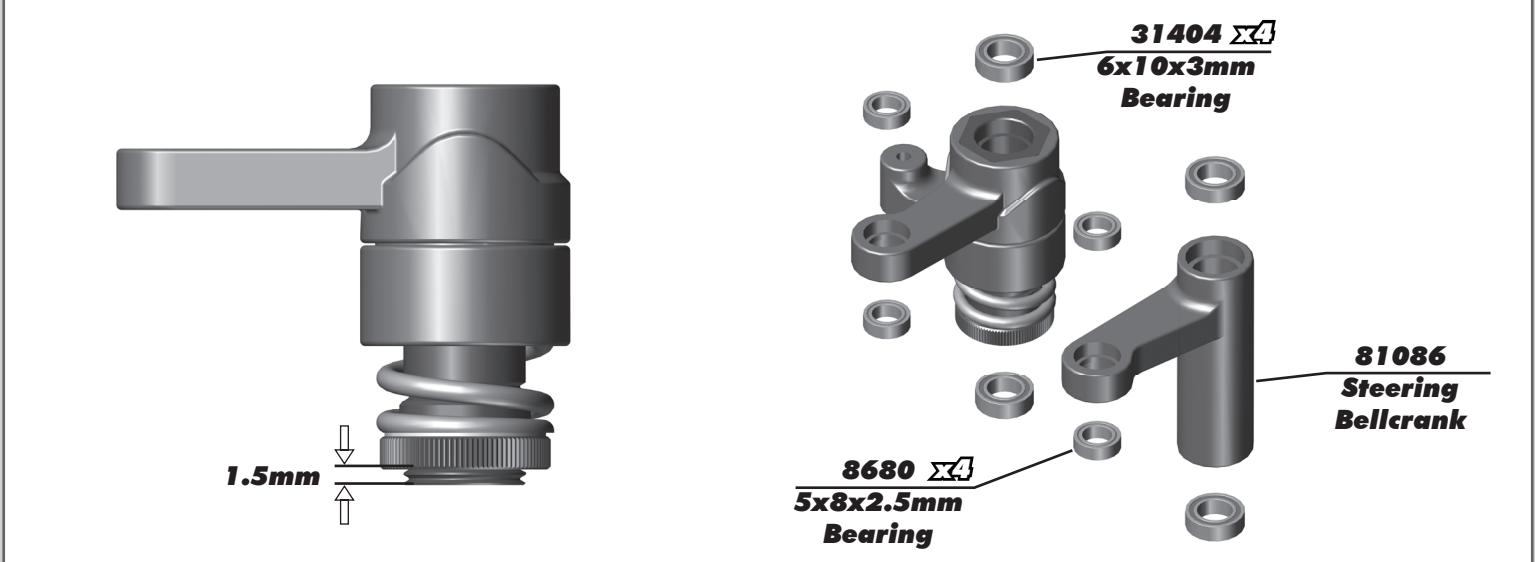
:: Steering / Chassis Build - Bag 4.1, 4.2 - Step 1



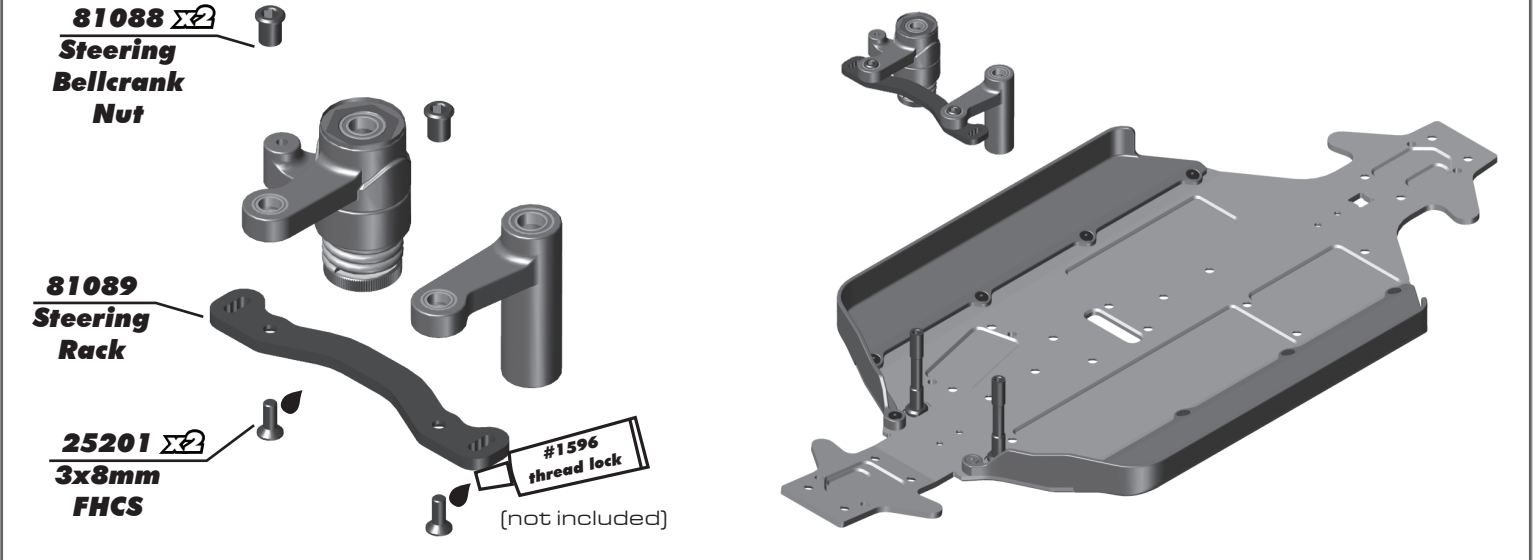
:: Steering / Chassis Build - Bag 4.1, 4.2 - Step 2



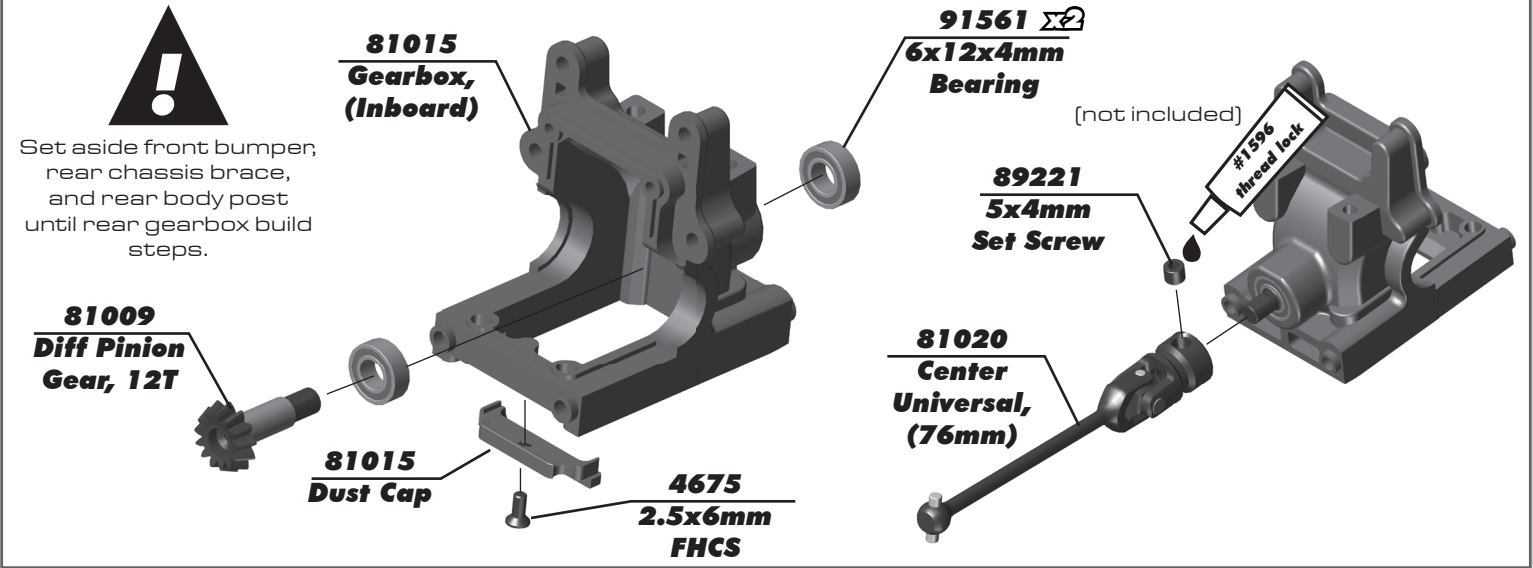
:: Steering / Chassis Build - Bag 4.1, 4.2 - Step 3



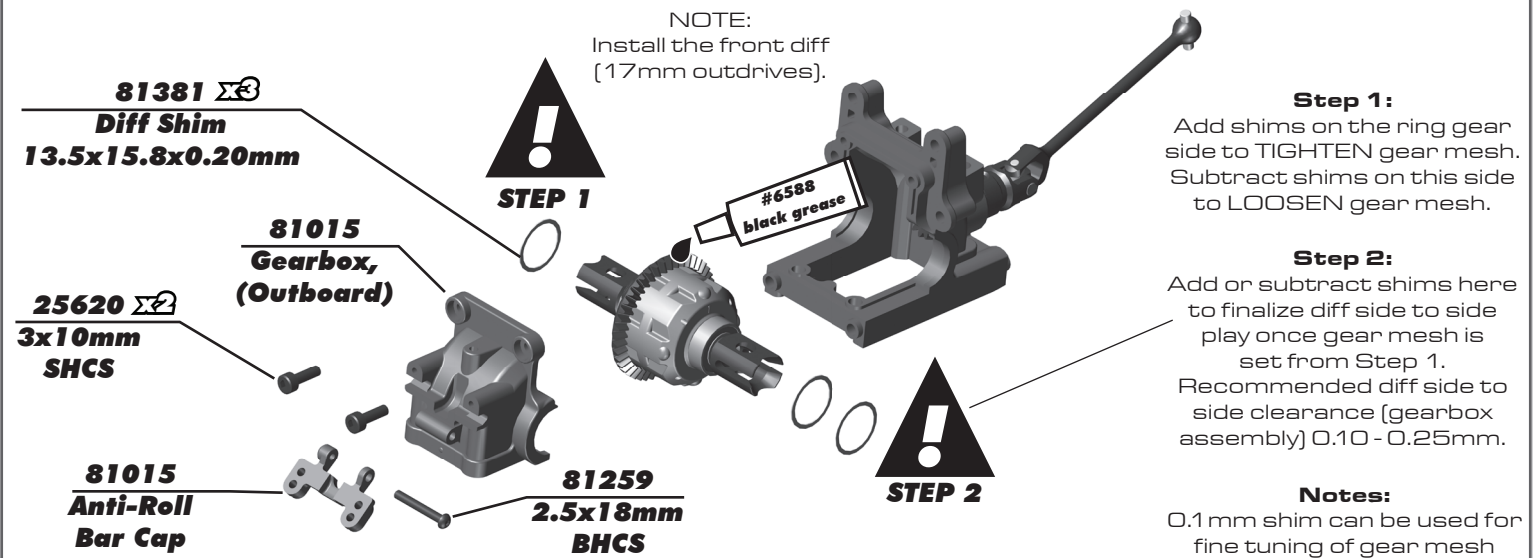
:: Steering / Chassis Build - Bag 4.1, 4.2 - Step 4



:: Front Gearbox Build - Bag 5.1, 5.2, 5.3 - Step 1



:: Front Gearbox Build - Bag 5.1, 5.2, 5.3 - Step 2



:: Front Gearbox Build - Bag 5.1, 5.2, 5.3 - Step 3

Kit Setup:



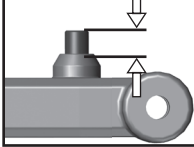
81292
RC8B3 Arm
Mount B,
HRC

81050 $\Sigma 2$
Arm Mount
Insert,
Center

81260 $\Sigma 2$
4x14mm
BHCS

Droop Screw:

Kit Setup:
4.0mm



81438
Front Arm,
Lower

Use 2x 3x8mm BHCS only
on the inside of the front
lower suspension arm.

Do not overtighten!

31532 $\Sigma 2$
3x8mm
BHCS
25201 $\Sigma 3$
3x8mm
FHCS

Build left and
right side!

89317
Droop
Screw

Take care not to
overtighten
insert screws.

81438
Front Arm
Insert,
Lower

Note that each arm is
marked with a R for the
Right arm or an L for
the Left arm.

:: Front Gearbox Build - Bag 5.1, 5.2, 5.3 - Step 4

Kit Setup:



81291
RC8B3
Arm Mount
A, HRC

81260 $\Sigma 2$
4x14mm
BHCS

81446 $\Sigma 2$
Suspension
Arm Shim

81050 $\Sigma 2$
Arm Mount
Insert, Center

81060 $\Sigma 2$
Hinge
Pin

81150 $\Sigma 2$
Anti-Roll
Bar Rod
End

81258
3x12mm
Set Screw

81150
Rod End
Ball

81150
Anti-Roll
Bar Pivot

1.5mm

:: Front Gearbox Build - Bag 5.1, 5.2, 5.3 - Step 5



Left Side

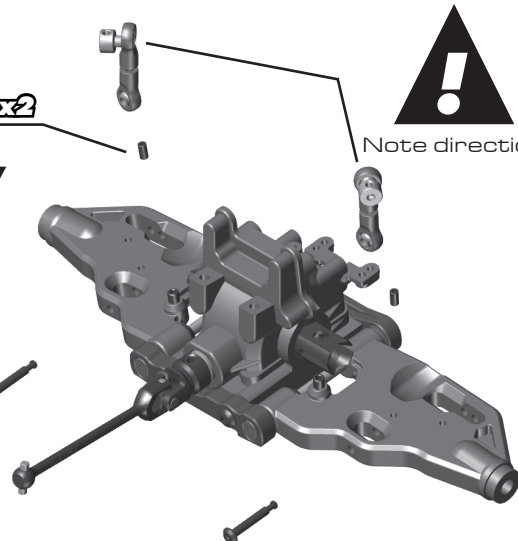
Right Side

Anti-Roll Bar Pivots:
Offset the anti-roll bar
rod ends
(approximately 45 degrees).

81257 $\Sigma 2$
3x6mm
Set Screw

Note direction

81197 $\Sigma 2$
Shock
Pin



:: Front Gearbox Build - Bag 5.1, 5.2, 5.3 - Step 6

!

Center the anti-roll bar collet on the anti-roll bar, then tighten the 3x3mm set screw.

!

Front anti-roll bar gap: 2.0mm

81130
(Front) Anti-Roll Bar, 2.3mm

81150
Anti-Roll Bar Collet

25225
3x3mm Set Screw

#1596 thread lock

(not included)

:: Front Gearbox Build - Bag 5.1, 5.2, 5.3 - Step 7

!

Tighten 3x6mm set screws just enough to still allow the anti-roll bar to move freely.

81257 $\Sigma 2$
3x6mm Set Screw

31521 $\Sigma 2$
2.5x8mm BHCS

25225 $\Sigma 2$
3x3mm Set Screw

89214
4x12mm FHCS

89216
M4 Locknut

25201
3x8mm FHCS

81032
Chassis Brace, Front

81030
Top Plate

81447
Body Post, Front

#1596 thread lock

(not included)

:: Front Gearbox Build - Bag 5.1, 5.2, 5.3 - Step 8

Kit Setup:

81049
Upper Link Mount

81050 $\Sigma 2$
Arm Mount Insert, Center

25201 $\Sigma 2$
3x8mm FHCS

89214 $\Sigma 2$
4x12mm FHCS

89225 $\Sigma 2$
3x24mm SHCS

81196 $\Sigma 2$
Shock Bushing

81026
Shock Tower, Front

#1596 thread lock

(not included)

:: Front Gearbox Build - Bag 5.1, 5.2, 5.3 - Step 9

Build left and right side!

25201 $\Sigma 5$
3x8mm FHCS

81442
Front Arm Insert, Upper

81442
Front Arm, Upper

89214 $\Sigma 4$
4x12mm FHCS

81446
Caster Clip, 0.9mm

81446
Caster Clip, 2.0mm

81060
Hinge Pin, Front Upper Short

81446
Caster Clip, 1.0mm

Use included extra clips to finish shimming upper arm. Start with 1x2.0mm and 1x1.0mm clip

Note that each arm is marked with a R for the Right arm or an L for the Left arm.

:: Steering Blocks Build - Bag 6.1, 6.2 - Step 1

Build left and right side!

81328
CVA Coupler

81394
CVA Drive Shaft (94mm)

81328
CVA Coupler Pin

91566
15x21x4mm Bearing

81326
CVA Axle, Steel

81065
Steering Block

25225
3x3mm Set Screw

81079
Wheel Hex, +1mm Wide

91565
8x16x5mm Bearing, Flanged

89096
Wheel Hex Pin
(not included)

#6588
black grease

#1596
thread lock

89221
5x4mm Set Screw

:: Steering Blocks Build - Bag 6.1, 6.2 - Step 2

Build left and right side!

81067 $\Sigma 2$
Pillow Ball, Steel

81065 $\Sigma 2$
Pillow Ball Cap

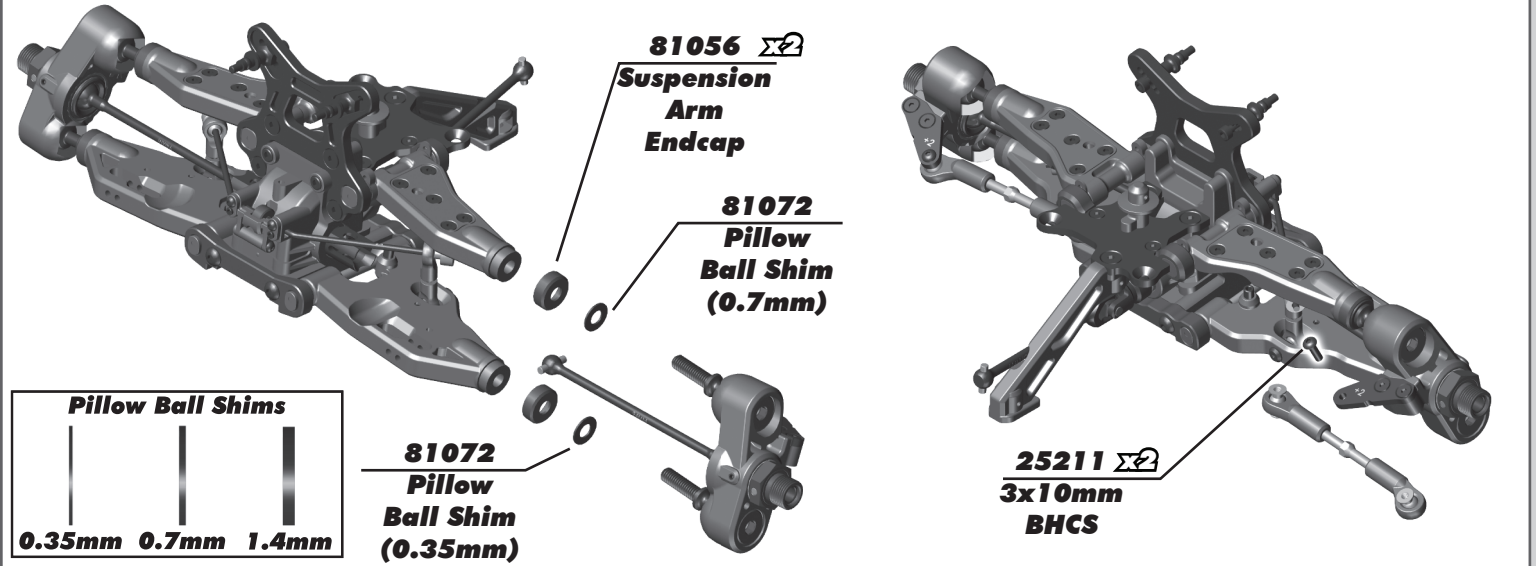
25202 $\Sigma 2$
3x10mm FHCS

81063
Steering Block Arm +2 deg

81070 $\Sigma 2$
Pillow Ball Nut, Aluminum

Tighten pillow ball nut until pillow ball begins to bind, then loosen until pillow ball moves freely.

:: Steering Blocks Build - Bag 6.1, 6.2 - Step 3



81056 $\Sigma 2$
Suspension Arm Endcap

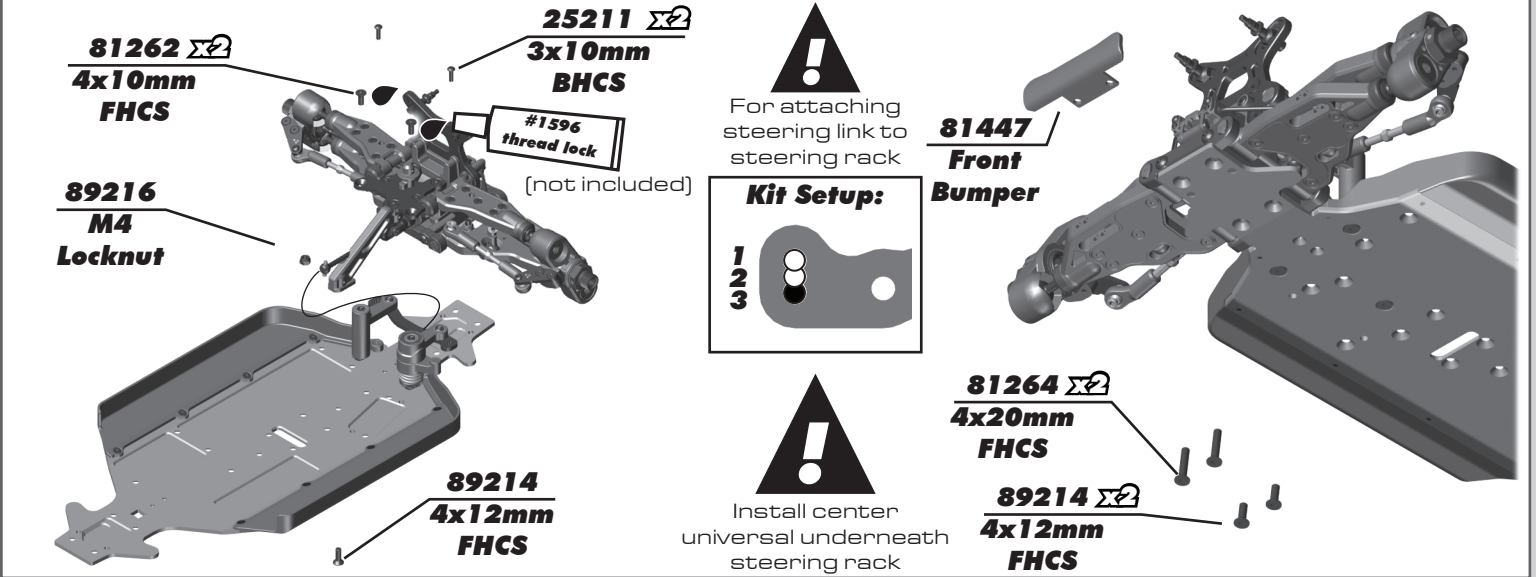
81072
Pillow Ball Shim (0.7mm)

81072
Pillow Ball Shim (0.35mm)

25211 $\Sigma 2$
3x10mm BHCS

Pillow Ball Shims		
0.35mm	0.7mm	1.4mm

:: Steering Blocks Build - Bag 6.1, 6.2 - Step 4



81262 $\Sigma 2$
4x10mm FHCS

89216
M4 Locknut

25211 $\Sigma 2$
3x10mm BHCS

#1596
thread lock
(not included)

81447
Front Bumper

81264 $\Sigma 2$
4x20mm FHCS

89214 $\Sigma 2$
4x12mm FHCS

89214 $\Sigma 2$
4x12mm FHCS

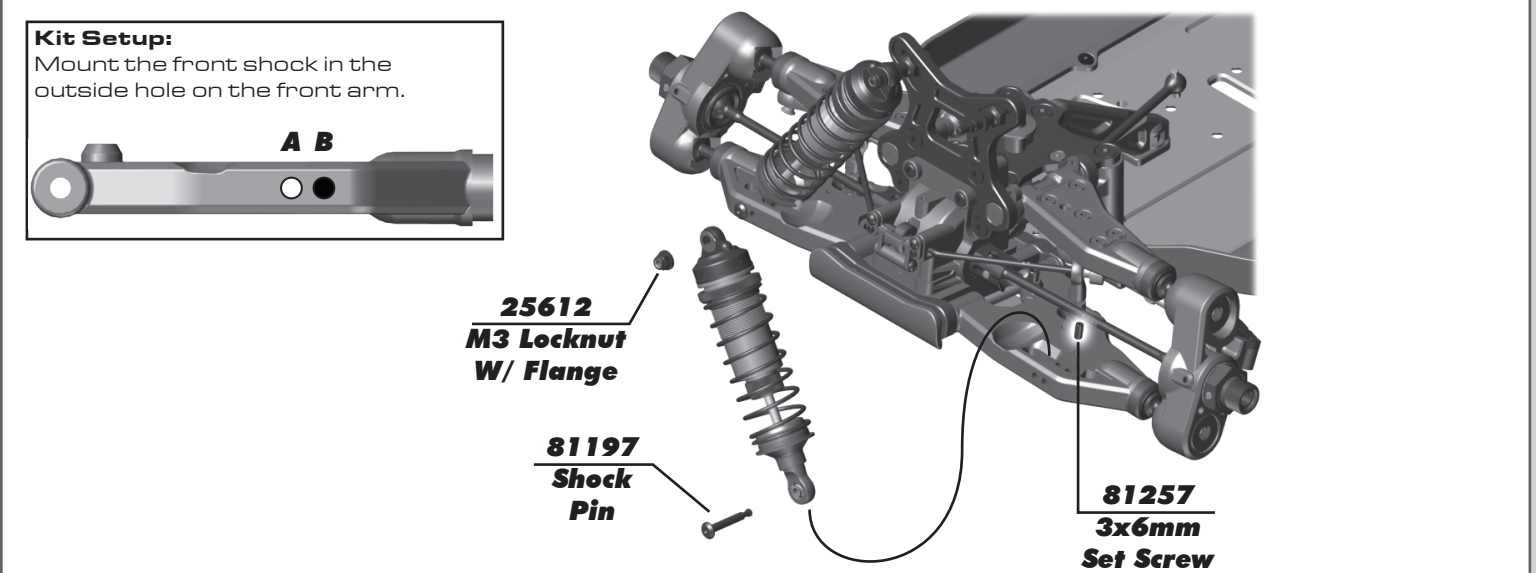
Kit Setup:

1
2
3

! For attaching steering link to steering rack

! Install center universal underneath steering rack

:: Steering Blocks Build - Bag 6.1, 6.2 - Step 5



25612
M3 Locknut W/ Flange

81197
Shock Pin

81257
3x6mm Set Screw

Kit Setup:
Mount the front shock in the outside hole on the front arm.

A B

:: Rear End Build - Bag 7.1, 7.2, 7.3 - Step 1

Racer's Tip:
Use black grease (#6588) to lube the diff pinion before installation!

81009
Diff Pinion Gear, 12T

81015
Gearbox, (Inboard)

91561 $\Sigma 2$
6x12x4mm Bearing

89221
5x4mm Set Screw

81021
Center Universal, (106mm)

81015
Dust Cap

4675
2.5x6mm FHCS

(not included)
#1596 thread lock

:: Rear End Build - Bag 7.1, 7.2, 7.3 - Step 2

NOTE:
Install the REAR Diff!

81381 $\Sigma 3$
Diff Shim
13.5x15.8x0.20mm

81015
Gearbox, (Outboard)

25620 $\Sigma 2$
3x10mm SHCS

81015
Anti-Roll Bar Cap

81259
2.5x18mm BHCS

STEP 1

STEP 2

#6588 black grease

Step 1:
Add shims on the ring gear side to TIGHTEN gear mesh. Subtract shims on this side to LOOSEN gear mesh.

Step 2:
Add or subtract shims here to finalize diff side to side play once gear mesh is set from Step 1. Recommended diff side to side clearance (gearbox assembly) 0.10 - 0.25mm.

Notes:
0.1 mm shim can be used for fine tuning of gear mesh

:: Rear End Build - Bag 7.1, 7.2, 7.3 - Step 3

Kit Setup:

81454
Arm Mount, HRC, Narrow (C)

81434
Rear Arm

81434
Rear Arm Insert

89317
Droop Screw

31532 $\Sigma 2$
3x8mm BHCS

25201 $\Sigma 3$
3x8mm FHCS

81260 $\Sigma 2$
4x14mm BHCS

81050 $\Sigma 2$
Arm Mount Insert, Center

Droop Screw:
Kit Setup:
1.5mm

Use 2x 3x8mm BHCS only on the inside of the rear suspension arm.

Do not overtighten!

Take care not to overtighten insert screws.

Note that each arm is marked with a R for the Right Arm or an L for the Left Arm.

:: Rear End Build - Bag 7.1, 7.2, 7.3 - Step 4

Kit Setup:

81060 $\Sigma 2$ Hinge Pin

81446 Suspension Arm Shim

81260 $\Sigma 2$ 4x14mm BHCS

81455 Arm Mount, HRC, Narrow (D)

81050 $\Sigma 2$ Arm Mount Insert, Center

81150 $\Sigma 2$ Anti-Roll Bar Rod End

81258 3x12mm Set Screw

81150 Rod End Ball

81150 Anti-Roll Bar Pivot

0mm

:: Rear End Build - Bag 7.1, 7.2, 7.3 - Step 5

81257 $\Sigma 2$ 3x6mm Set Screw

81140 (Rear) Anti-Roll Bar, 2.7mm

81150 Anti-Roll Bar Collet

25225 3x3mm Set Screw

81197 $\Sigma 2$ Shock Pin

Center the anti-roll bar collet on the anti-roll bar; then tighten the 3x3mm set screw.

(not included)

#1596 thread lock

Left Side **Right Side**

Anti-Roll Bar Pivots:
Offset the anti-roll bar rod ends (approximately 45 degrees).

:: Rear End Build - Bag 7.1, 7.2, 7.3 - Step 6

25225 $\Sigma 2$ 3x3mm Set Screw

31521 $\Sigma 2$ 2.5x8mm BHCS

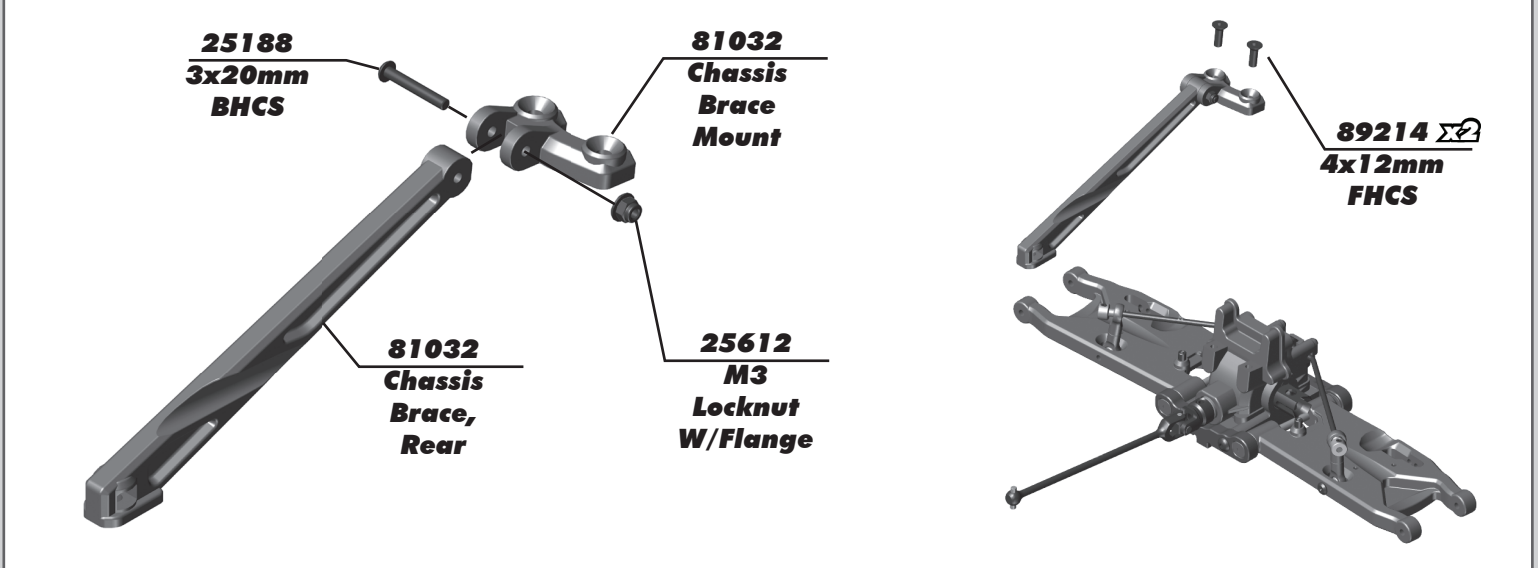
81257 $\Sigma 2$ 3x6mm Set Screw

#1596 thread lock (not included)

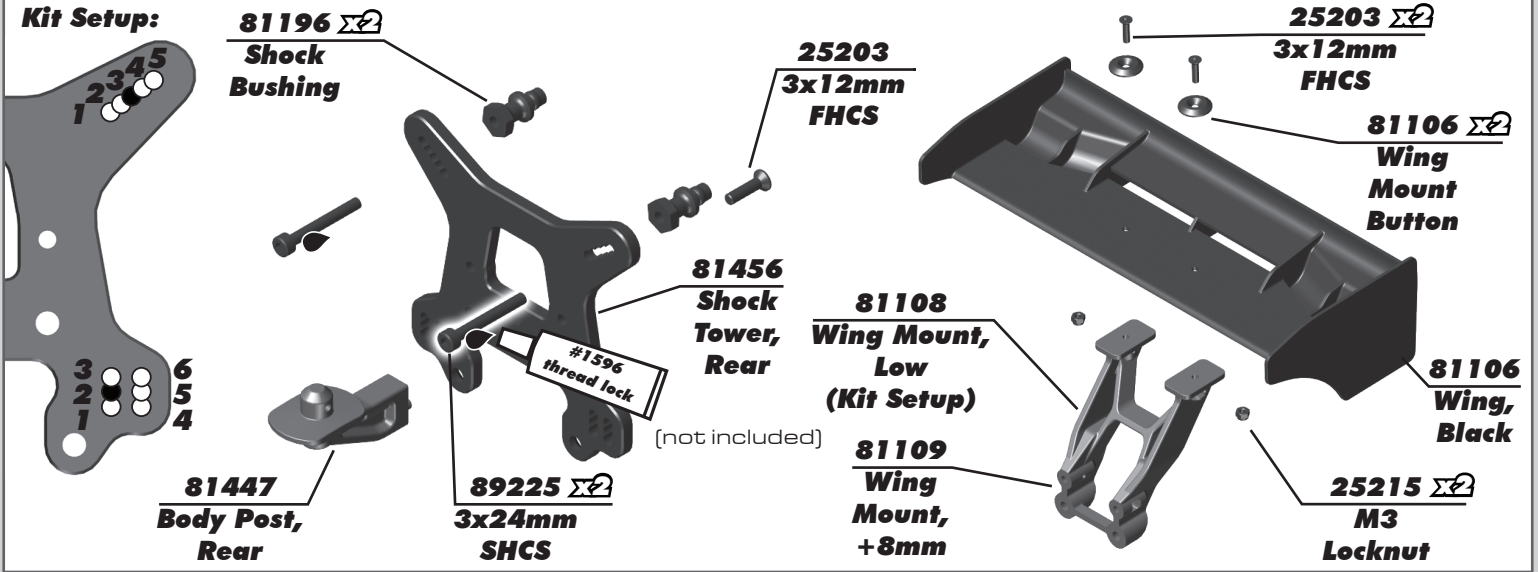
Rear Anti-Roll Bar Gap: 0mm

Tighten 3x6mm set screws just enough to still allow the anti-roll bar to move freely.

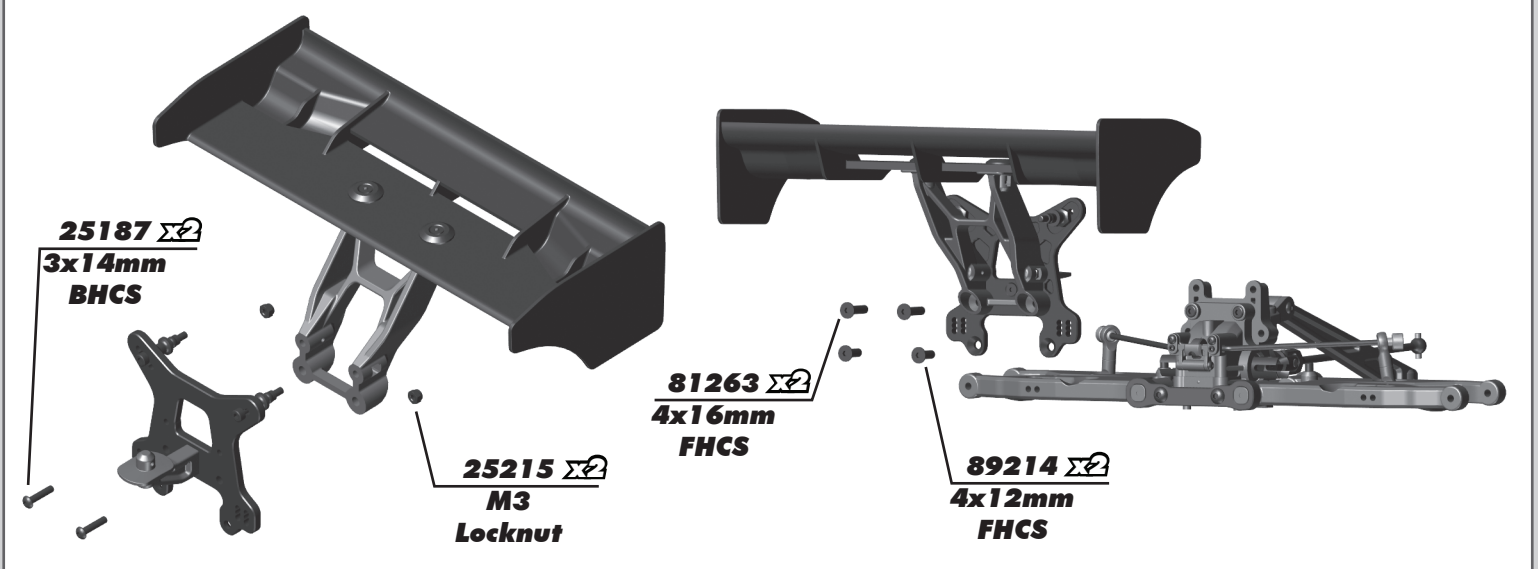
:: Rear End Build - Bag 7.1, 7.2, 7.3 - Step 7



:: Rear End Build - Bag 7.1, 7.2, 7.3 - Step 8

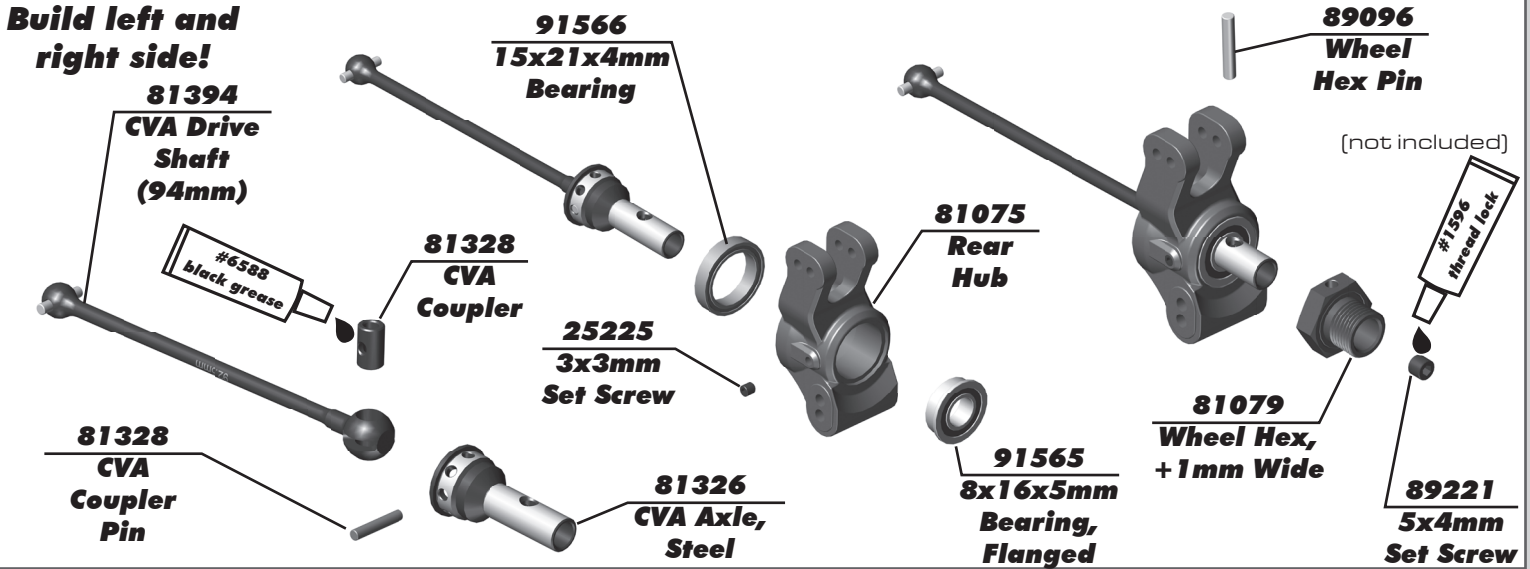


:: Rear End Build - Bag 7.1, 7.2, 7.3 - Step 9



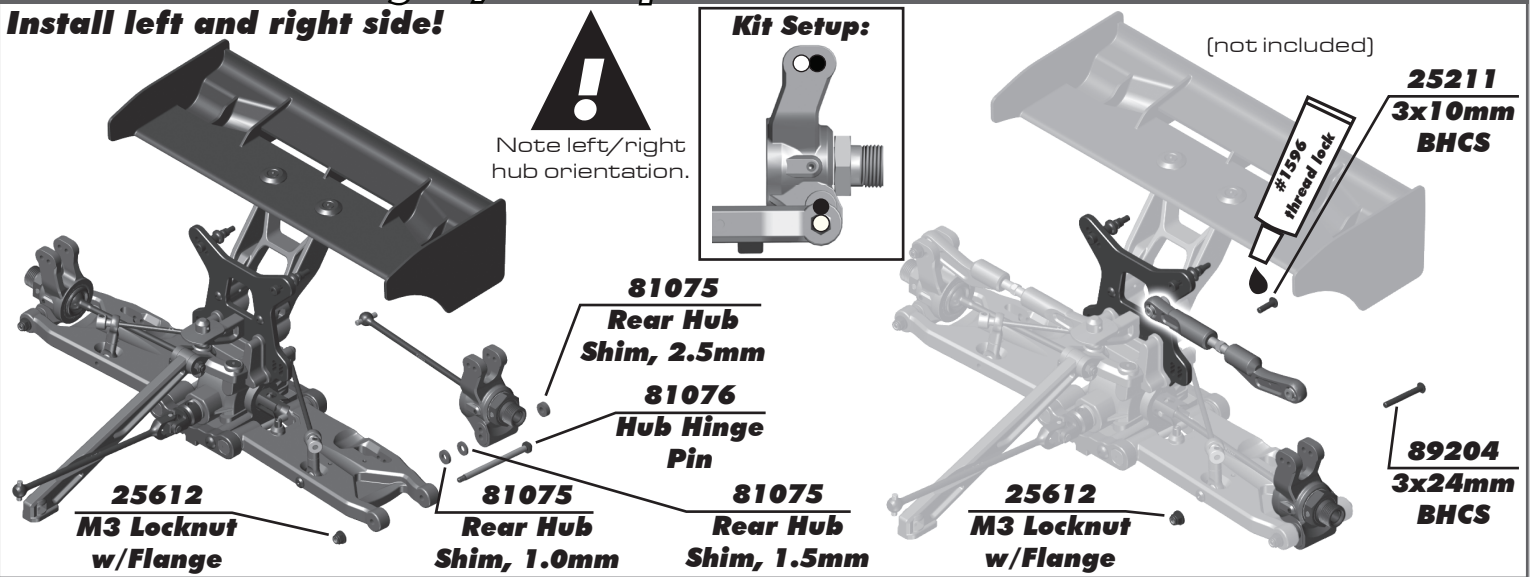
:: Rear Hubs Build - Bag 8.1, 8.2 - Step 1

Build left and right side!



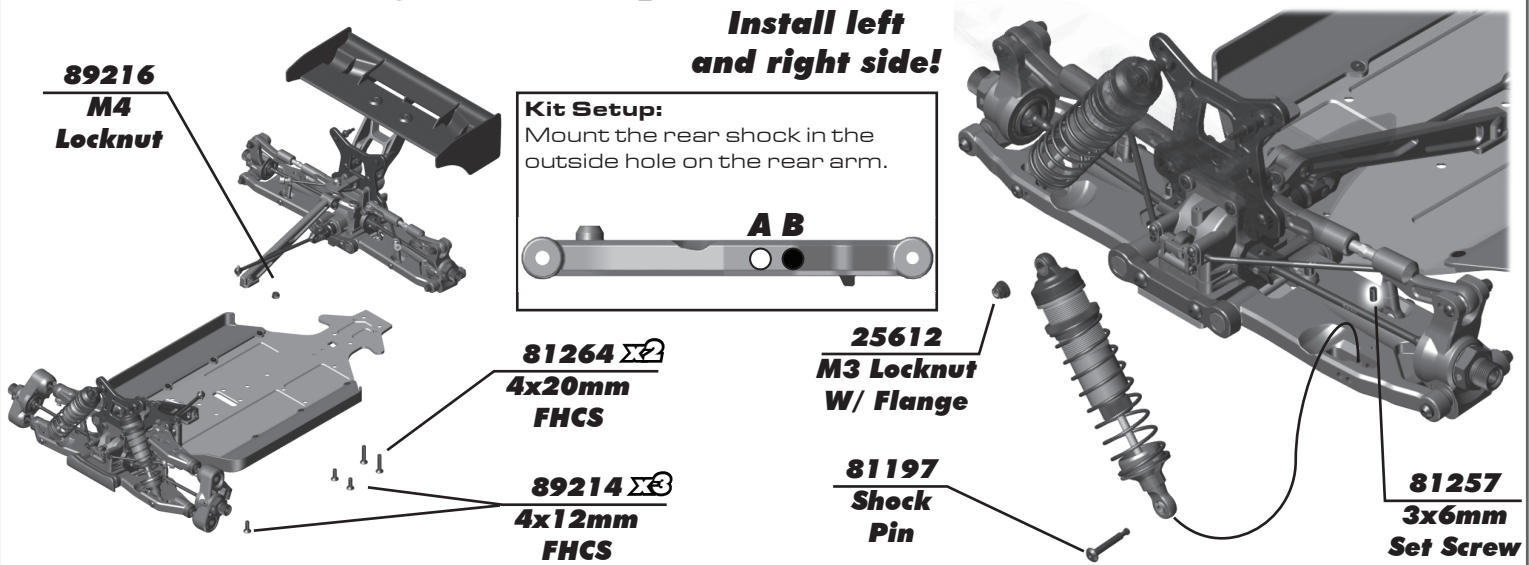
:: Rear Hubs Build - Bag 8.1, 8.2 - Step 2

Install left and right side!

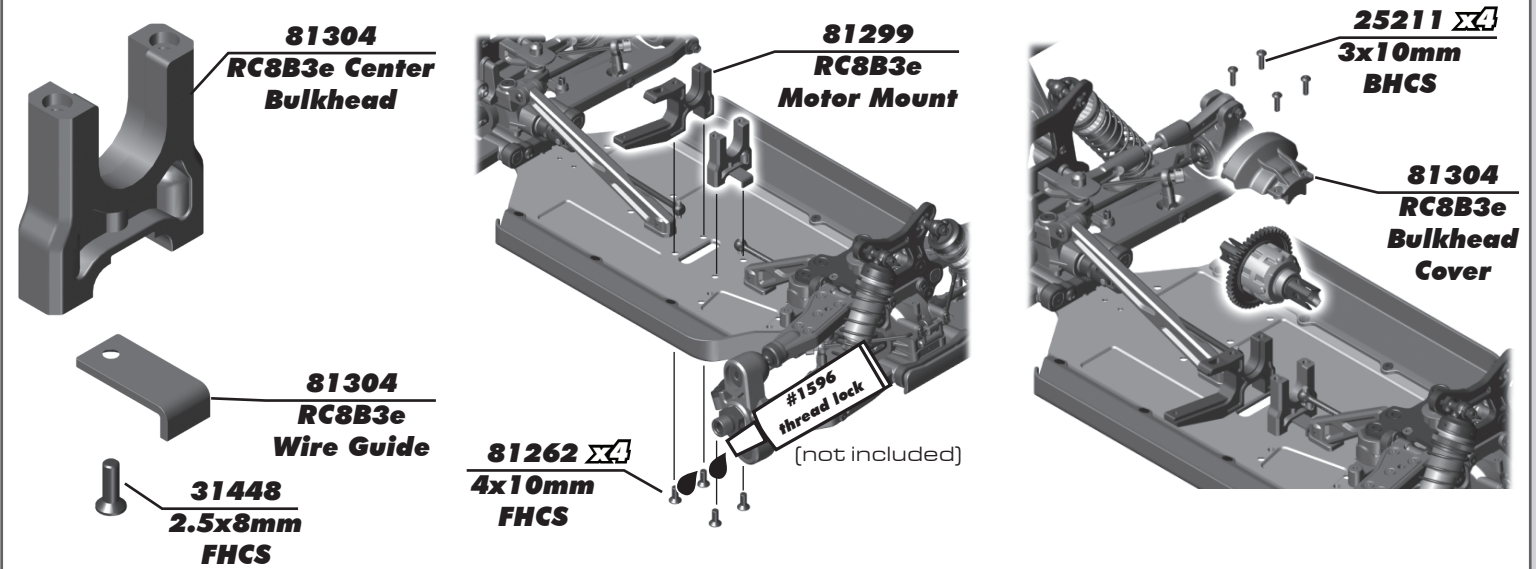


:: Rear Hubs Build - Bag 8.1, 8.2 - Step 3

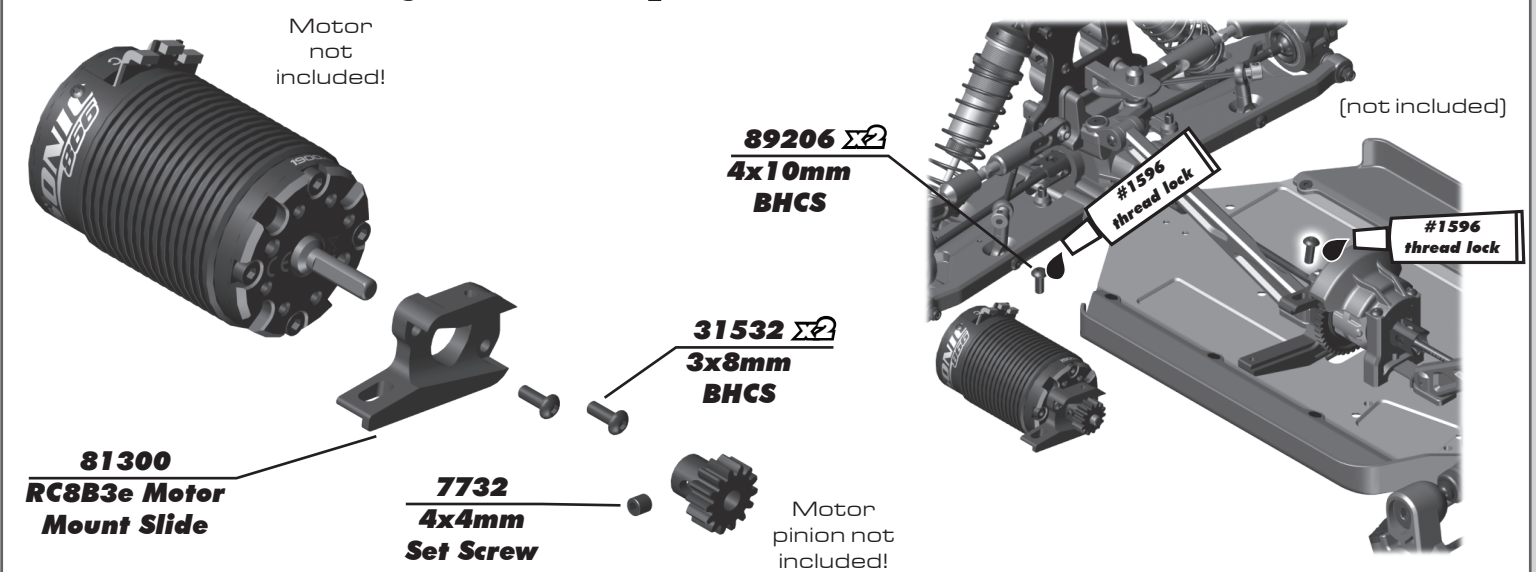
Install left and right side!



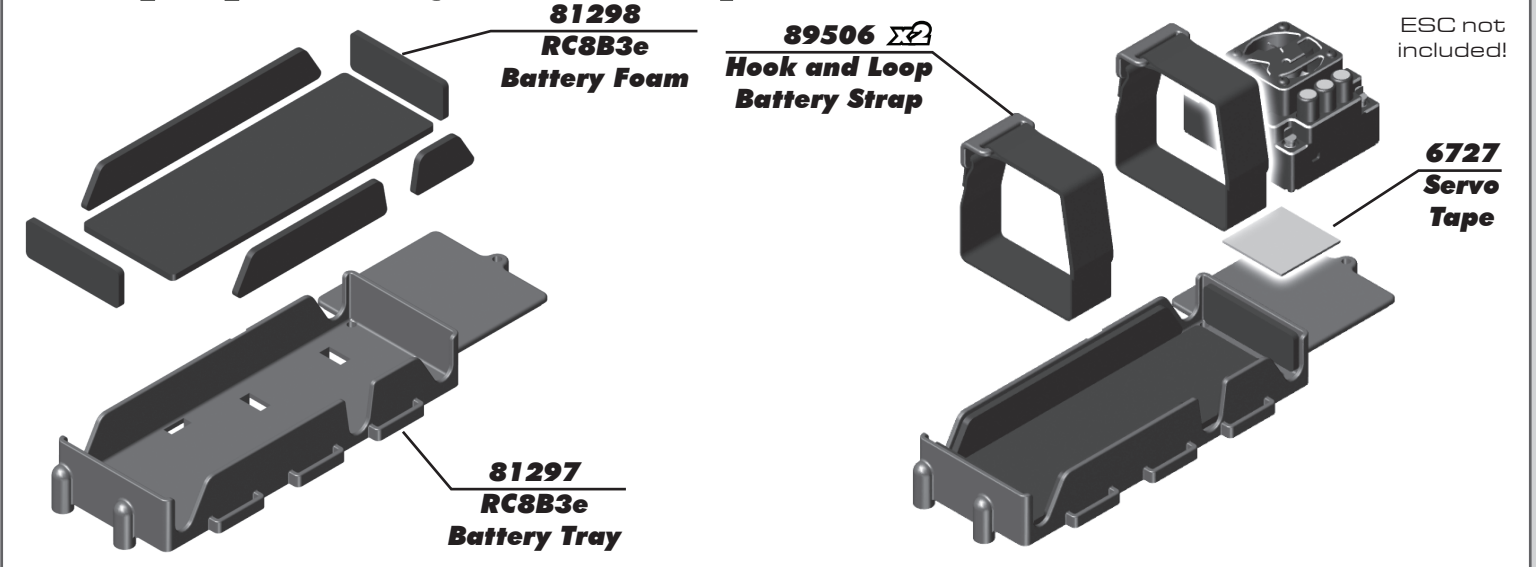
:: Center Bulkhead - Bag 9.1, 9.2 - Step 1



:: Center Bulkhead - Bag 9.1, 9.2 - Step 2



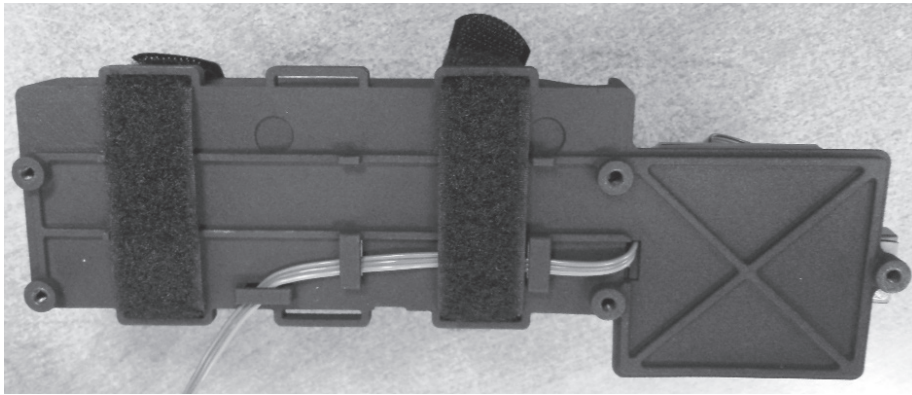
:: Battery Tray Build - Bag 10.1, 10.2 - Step 1



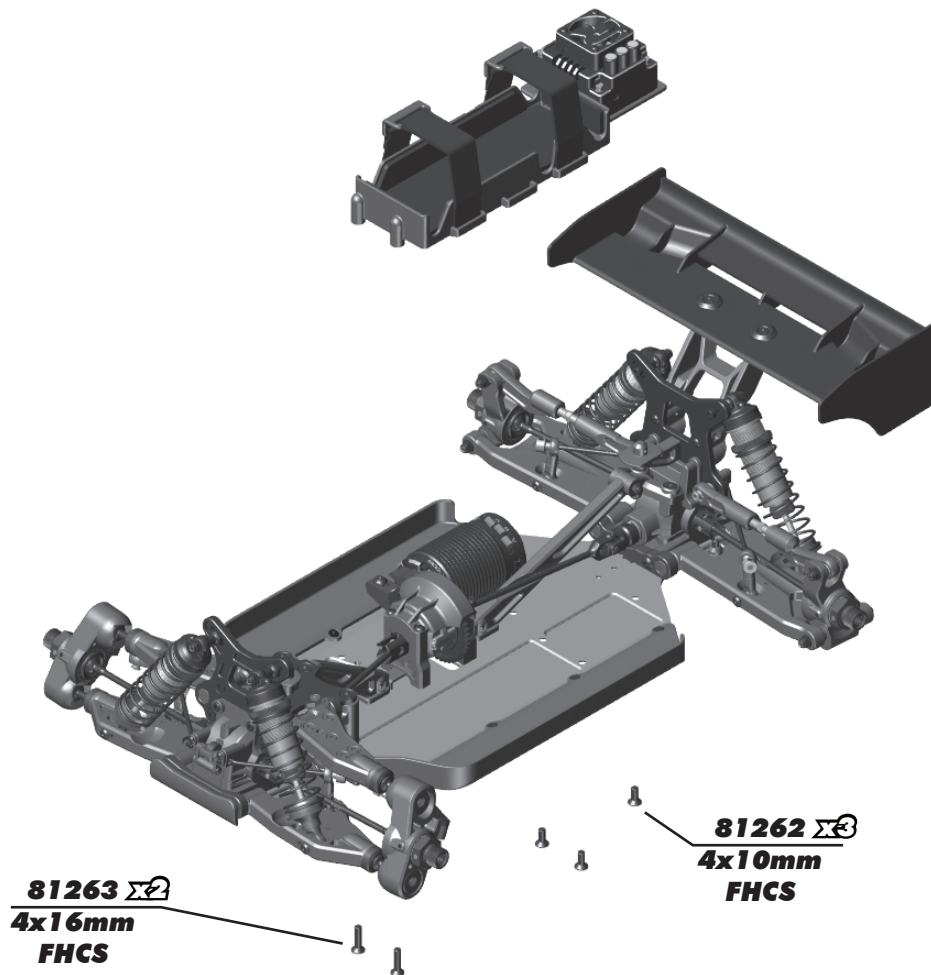
:: Battery Tray Build - Bag 10.1, 10.2 - Step 2



Install the ESC wire as shown first.
Then run the hook and loop straps
as shown.



:: Battery Tray Build - Bag 10.1, 10.2 - Step 3



:: Receiver Box Build - Bag 11.1, 11.2 - Step 1

25187 x4
3x14mm
BHCS

89218 x4
3x8mm
Washer

71023
Grommet
Plug

Servo not included!

When spacing your servos, make sure the servo does not touch the chassis when installed.

Transponder not included!

25225
3x3mm
Set Screw

Receiver not included!

6727
Servo
Tape

6338
Antenna
Tube and
Cap

89023 x2
Servo
Spacer

81303
Receiver
Box

71023
Receiver
Box
Grommet

:: Receiver Box Build - Bag 11.1, 11.2 - Step 2

31448 x3
2.5x8mm
FHCS

81303
RC8B3e
Receiver
Box Lid

81262 x2
4x10mm
FHCS

:: Receiver Box Build - Bag 11.1, 11.2 - Step 3

Printed here
A - Airtronics
F - Futaba
H - Hitec
J - JR/KO

81250
Servo Horn
(Steering)
and Cone
Washer

25215
M3
Locknut

25201
3x8mm
FHCS

91050
HD Ball
Stud, 12mm

81250
Servo Horn
Insert

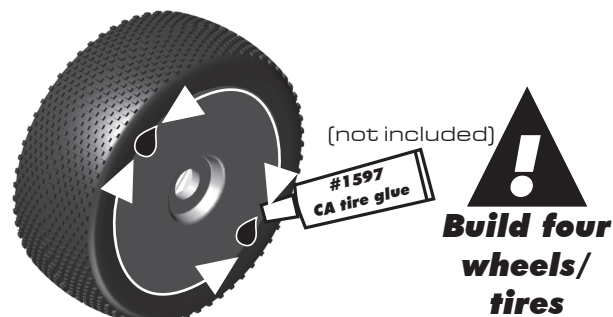
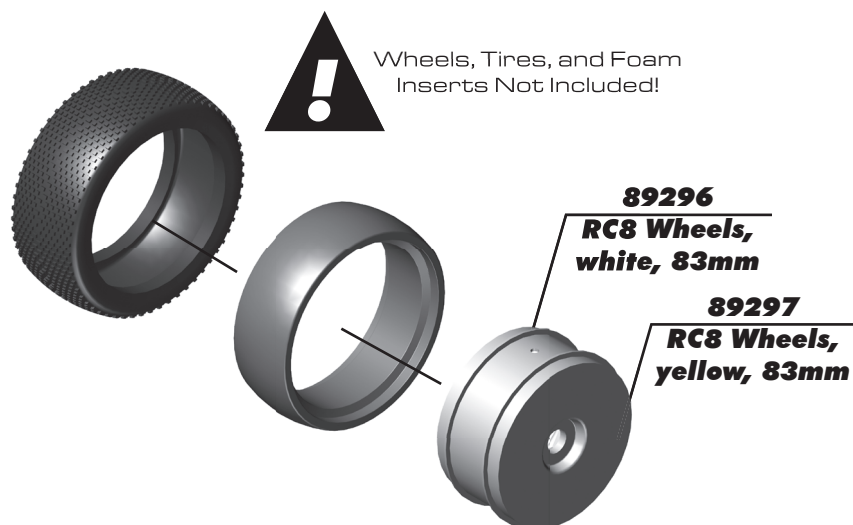
31386
Shim,
2mm

81250
Servo Horn
Large Ring

91048
HD Ball
Stud, 8mm

31386
Shim,
2mm

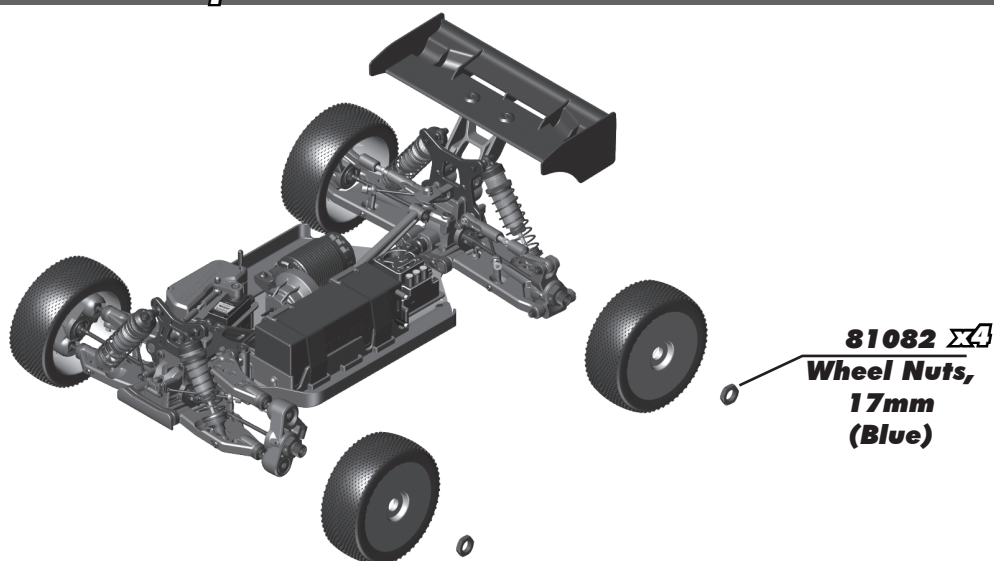
:: Wheels / Tires / Body - Misc. - Step 1



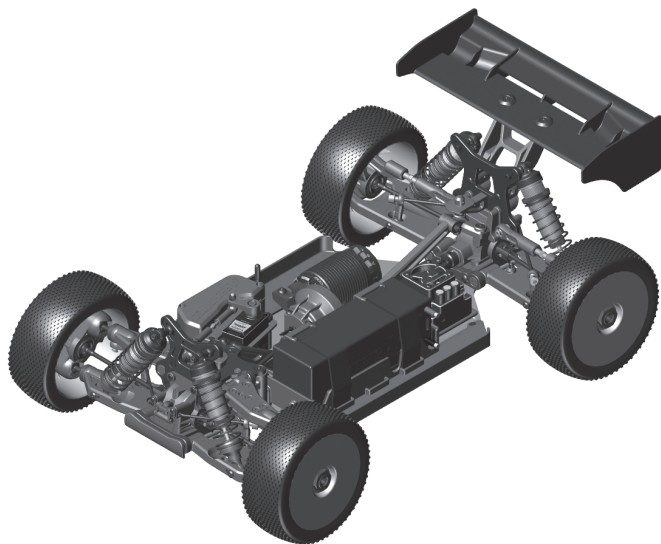
Tires:

When gluing tires to wheels, use a fast-curing tire glue (CA) (AE # 1597). This is available at your local hobby shop. Make sure to clean the mounting surface of the tire and wheel with alcohol for best adhesion.

:: Wheels / Tires / Body - Misc. - Step 2



:: Wheels / Tires / Body - Misc. - Step 3



Painting Tips:

Your kit comes with a clear polycarbonate body. You will need to prep the body before you can paint it. Wash the inside thoroughly with warm water and liquid detergent. Dry the body using a clean, soft, lint-free cloth. Install the window masks on the inside of the body. (R/C cars get painted from the inside). Using high quality masking tape, apply tape to the inside of the body to create a design. Spray (either rattle can or airbrush R/C specific paint) the paint to the inside of the body (preferably dark colors first, lighter colors last).

NOTE: use ONLY paint that is recommended for use with (polycarbonate) plastics. If you do not, you can destroy the polycarbonate body!!!

After painting, cut the body along the trim lines. Make sure to drill or use a body reamer to make the holes for the body mounts and antenna if required!

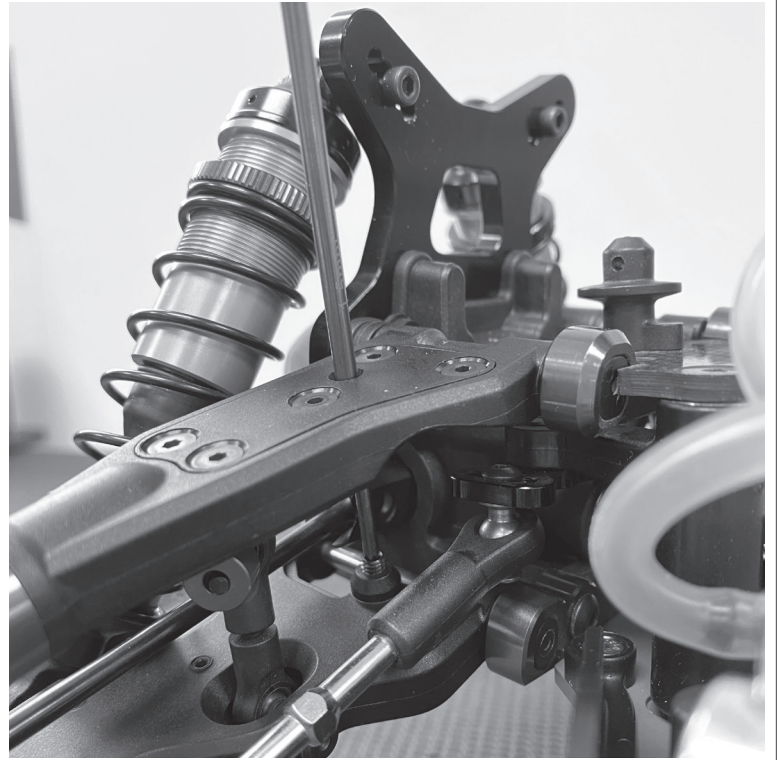
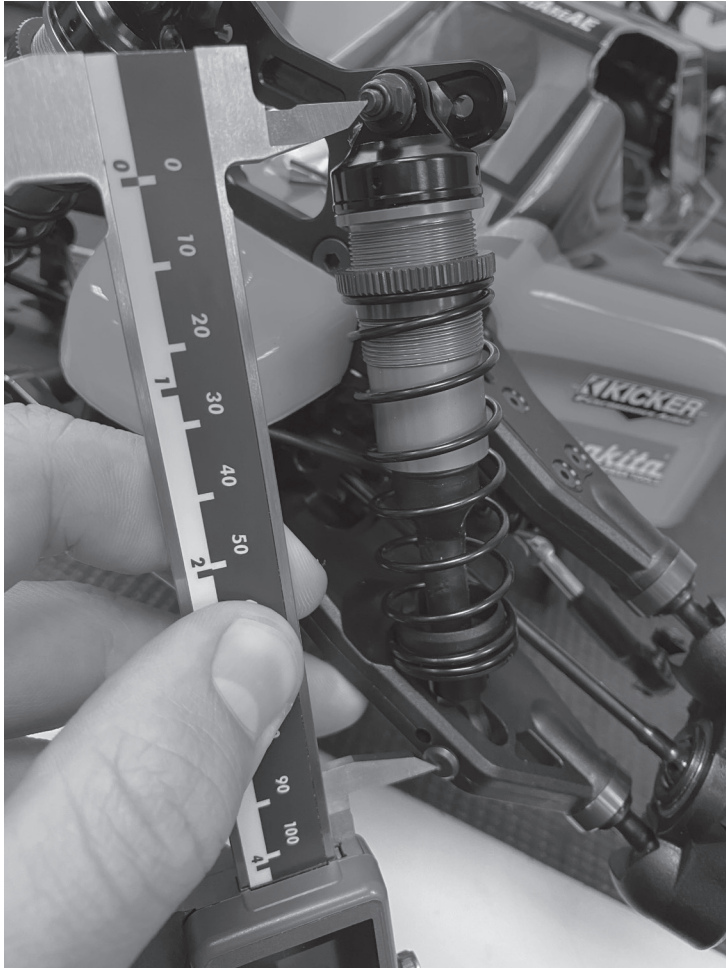
:: Droop Settings

Set droop by measuring overall length of shock (from standoff to shock pin) while the chassis is elevated above your working surface. The shocks should be fully extended.

Kit setup for front droop is 105mm shock length, and 124mm shock length for the rear.

If the shock length is too long, adjust by turning the droop screws clockwise.

If the shock length is too short, adjust by turning the droop screws counter-clockwise.



Front Droop: Increasing front droop (loosen droop screws) will increase off-throttle steering. It also allows the front end to lift more, giving more rear grip and less front grip on-power. Remember to never loosen the screws beyond the FULL DROOP setting. Decreasing front droop (tighten droop screws) yields more on-power steering and quicker response at the expense of some stability in bumpy sections. It will also give less off-throttle steering.

Rear Droop: Increasing rear droop (loosen droop screws) will increase traction in bumpy sections, but will reduce high-speed stability. Remember to never loosen the screws beyond the FULL DROOP setting. Decreasing rear droop (tighten droop screws) will increase stability in high speed sections, but will reduce stability in bumpy sections.

Setup Sheets:

To find different setups for your kit, visit our website, www.rc10.com and click on the "Setup Sheets" link, and then the link to your model. Our team of professional drivers help develop these setups at races worldwide. Additionally, most drivers have a "base" setup that they use as a starting point for most races. Try running some of our base setups or look for track conditions and tires that are similar to your local track and replicate that setup. Remember, each adjustment has a purpose, so copy everything from the setup sheet and then make adjustments based on the recommendations in here.

:: Shocks

81160	RC8B3 Shock Body, 30.5mm	2
81161	RC8B3 Shock Body, 39.5mm	2
81170	RC8B3 TiN Shock Shaft, 3x30.5mm	2
81173	RC8B3 TiN Shock Shaft, 3.5x42.5mm	2
81181	RC8B3 Shock Cap Insert	2
81185	RC8B3 Shock Rebuild Kit	2
81186	RC8B3 Shock O-Ring	8
81188	RC8B3 Shock Body Seal Retainer	2
81190	RC8B3 Shock Boots	4
81194	RC8B3 Shock Rod End & Spring Cup	4
81200	RC8B3 Shock Pistons (6x1.3 - KIT, 6x1.3 T, 8x1.2 T)	2 ea.
81221	Spring Collars, 20mm	2
81452	RC8B3.2 Shock Cap	2
81453	RC8B3 Shock Bladder, Stiff	2
81461	RC8B3.2 Shock Kit, Front	1
81462	RC8B3.2 Shock Kit, Rear	1
89215	M2.5mm Shock Piston Locknut	10
89278	Washer, 2.6x6mm	20
91492	12mm V2 Bleeder Screw / Gasket	2

:: Shock Fluid

5420	10 Weight Silicone Shock Fluid	2oz.
5421	20 Weight Silicone Shock Fluid	2oz.
5422	30 Weight Silicone Shock Fluid	2oz.
5423	40 Weight Silicone Shock Fluid	2oz.
5424	22.5 Weight Silicone Shock Fluid	2oz.
5425	80 Weight Silicone Shock Fluid	2oz.
5426	27.5 Weight Silicone Shock Fluid	2oz.
5427	15 Weight Silicone Shock Fluid	2oz.
5428	25 Weight Silicone Shock Fluid	2oz.
5429	35 Weight Silicone Shock Fluid	2oz.
5430	45 Weight Silicone Shock Fluid	2oz.
5431	55 Weight Silicone Shock Fluid	2oz.
5432	32.5 Weight Silicone Shock Fluid	2oz.
5433	37.5 Weight Silicone Shock Fluid	2oz.
5434	42.5 Weight Silicone Shock Fluid	2oz.
5435	50 Weight Silicone Shock Fluid	2oz.
5436	60 Weight Silicone Shock Fluid	2oz.
5437	70 Weight Silicone Shock Fluid	2oz.
5438	47.5 Weight Silicone Shock Fluid	2oz.



Front:
81170

Rear:
81173



81190



81194

81194



81452



81453



Front:
81160

Rear:
81161



81185



81185



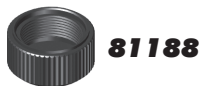
81185



81185



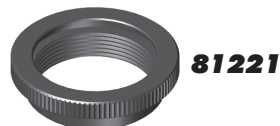
81185



81188



81221



81221



Kit Front:
81225

Kit Rear:
81231



81194

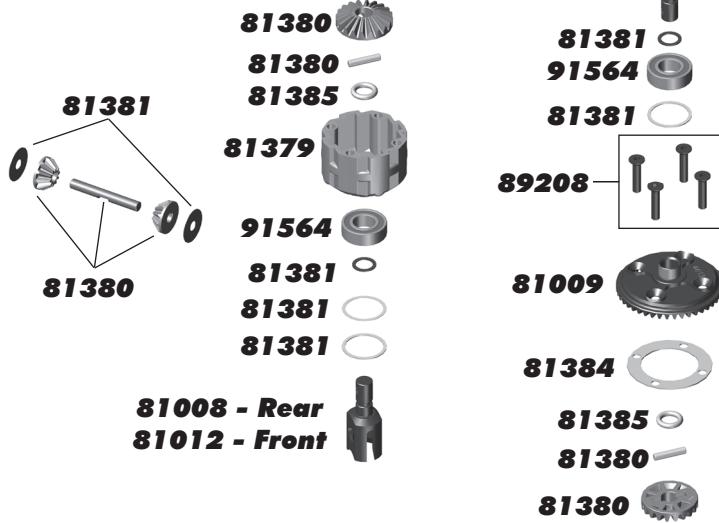
:: Springs

81222	Front Spring, V2, 4.9lb/in, Green	Pr.
81223	Front Spring, V2, 5.1lb/in, White	Pr.
81224	Front Spring, V2, 5.3lb/in, Gray	Pr.
81225	Front Spring, V2, 5.5lb/in, Blue - KIT	Pr.
81226	Front Spring, V2, 5.7lb/in, Yellow	Pr.
81229	Rear Spring, V2, 4.1lb/in, White	Pr.
81230	Rear Spring, V2, 4.2lb/in, Gray	Pr.
81231	Rear Spring, V2, 4.3lb/in, Blue - KIT	Pr.
81232	Rear Spring, V2, 4.4lb/in, Yellow	Pr.

:: Front / Rear Gear Differential

81008	Diff Outdrives, 15mm (Rear Diff)	2
81009	RC8B3.1 Underdrive Diff Gear Set, 42T	1
81012	Diff Outdrives, 17mm (Front Diff)	2
81379	RC8B3.1 Differential Case	1
81380	RC8B3.1 Differential Gear Set (HTC) - Kit	1
81381	RC8B3.1 Differential Shim Set	1
81383	RC8B3.1 Differential Gear Set (LTC)	1
81384	RC8B3.1 Differential Gasket	3
81385	RC8B3.1 Differential O-Ring Set	1
89208	M3 x 14mm FHCS	10
91564	8 x 16 x 5mm Bearings	2

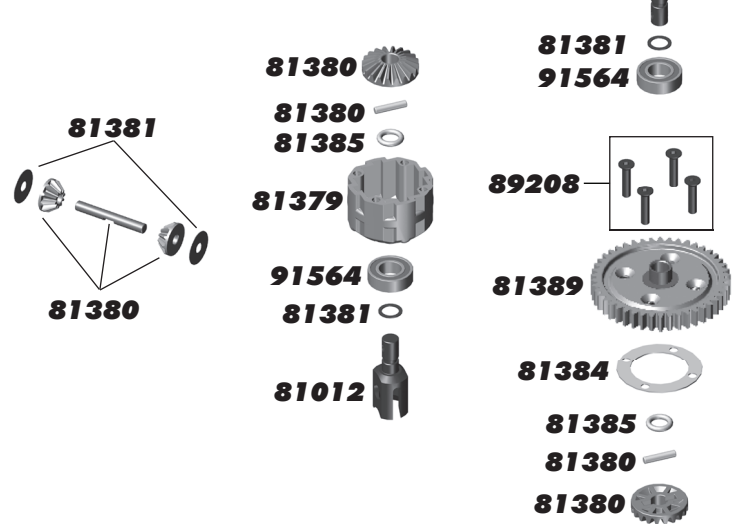
81008 - Rear
81012 - Front



:: Center Gear Differential

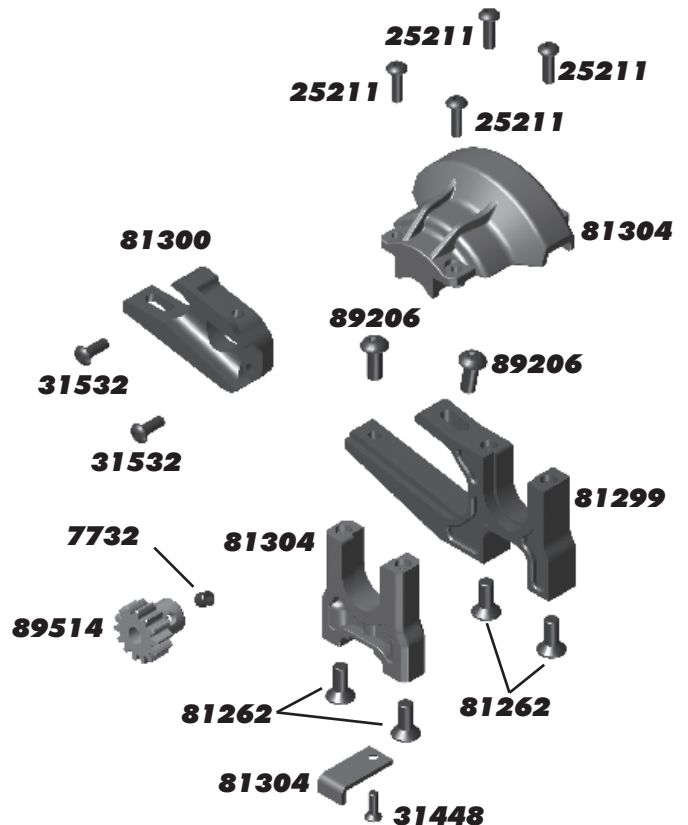
81012	Diff Outdrives, 17mm (Center Diff)	2
81379	RC8B3.1 Differential Case	1
81380	RC8B3.1 Differential Gear Set (HTC)	1
81381	RC8B3.1 Differential Shim Set	1
81383	RC8B3.1 Differential Gear Set (LTC)	1
81384	RC8B3.1 Differential Gasket	3
81385	RC8B3.1 Differential O-Ring Set	1
81389	RC8B3.1e Plastic Spur Gear, 46T - KIT	1
89208	M3 x 14mm FHCS	10
91564	8 x 16 x 5mm Bearings	2

81012



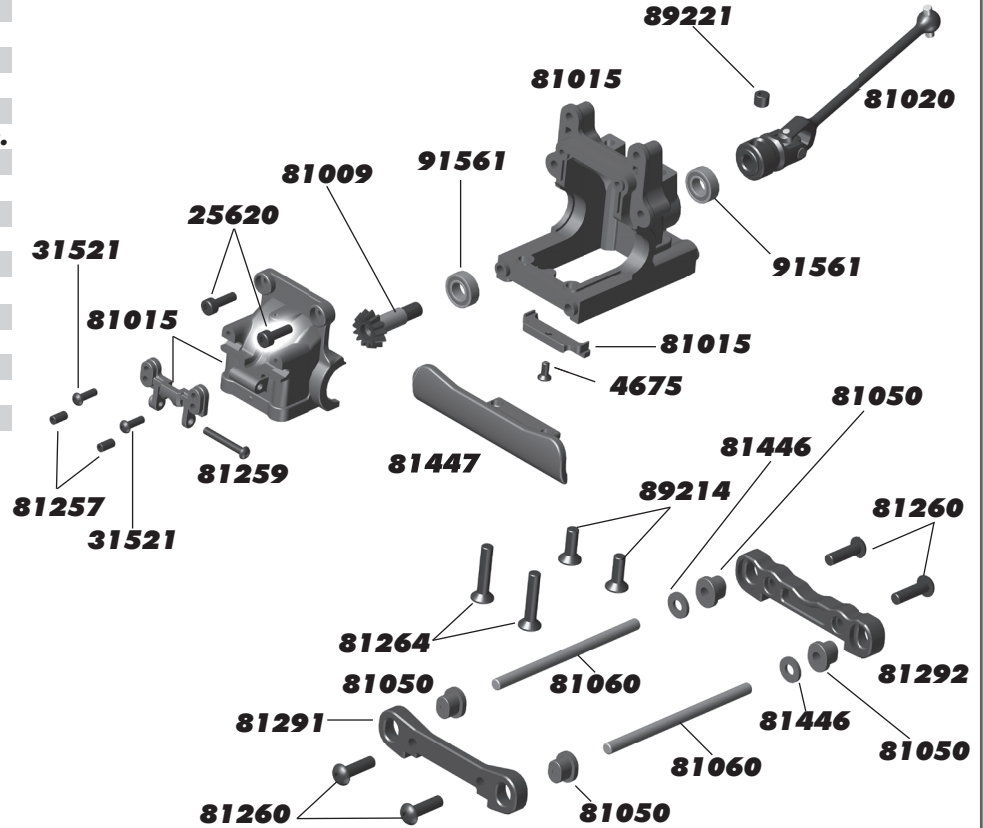
:: Center Bulkhead

7732	M4 x 4mm Set Screw	10
25211	M3 x 10mm BHCS	10
31448	M2.5 x 8mm FHCS	6
31532	M3 x 8mm BHCS	6
81262	M4 x 10mm FHCS	6
81299	RC8B3e Motor Mount	1
81300	RC8B3e Motor Mount Slide	1
81304	RC8B3e Center Bulkhead / Cover / Guide	1
89206	M4 x 10mm BHCS	10
89512	Pinion, 12T	1
89513	Pinion, 13T	1
89514	Pinion, 14T	1
89515	Pinion, 15T	1
89516	Pinion, 16T	1
89517	Pinion, 17T	1
89593	Pinion, 18T	1
89594	Pinion, 19T	1
89595	Pinion, 20T	1



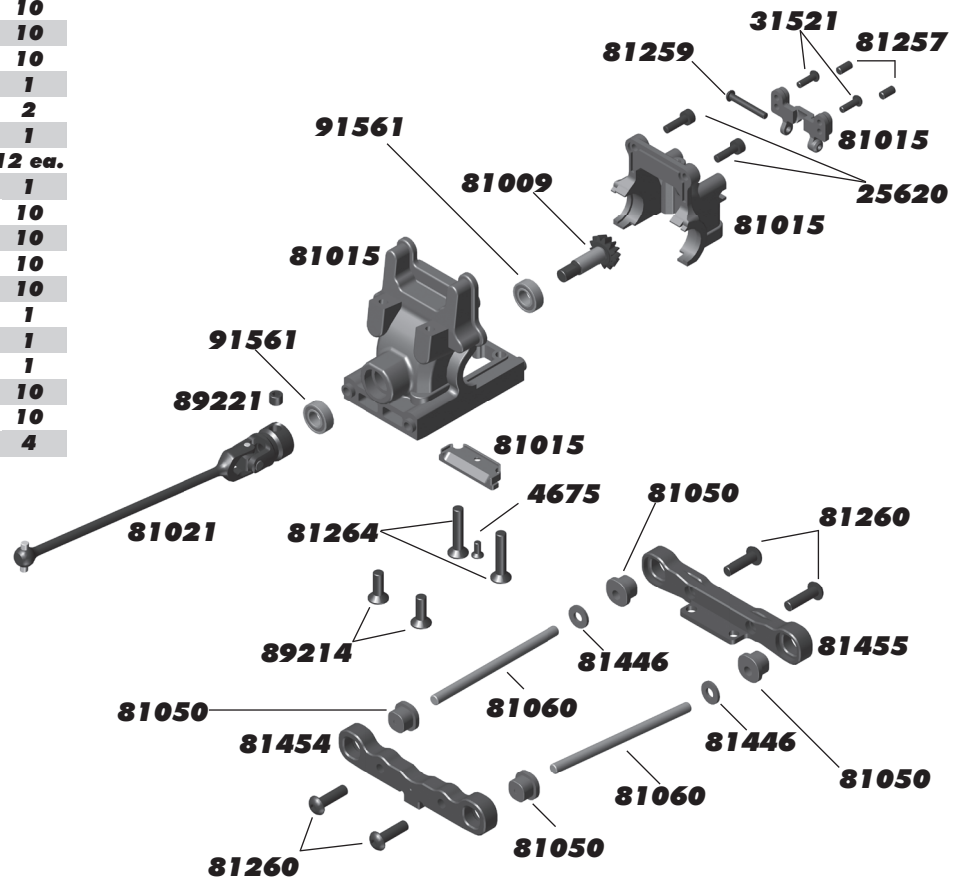
:: Front Gearbox

4675	M2.5 x 6mm FHCS	10
25620	M3 x 10mm SHCS	10
31521	M2.5 x 8mm BHCS	10
81009	RC8B3.1 Diff Pinion Gear, 12T	1
81015	RC8B3 Gearbox	2
81020	RC8B3 Center Universal, 76mm	1
81050	RC8B3 Arm Mount Insert	12 ea.
81060	RC8B3 Hinge Pin Set	1
81257	M3 x 6mm Set Screw	10
81259	M2.5 x 18mm BHCS	10
81260	M4 x 14mm BHCS	10
81264	M4 x 20mm FHCS	10
81291	RC8B3 HRC Arm Mount, A	1
81292	RC8B3 HRC Arm Mount, B	1
81446	RC8B3 Shim Set	1
81447	RC8B3 Body Post & Bumper	1
89214	M4 x 12mm FHCS	10
89221	M5 x 4mm Set Screw	10
91561	Bearing, 6 x 12 x 4mm	4



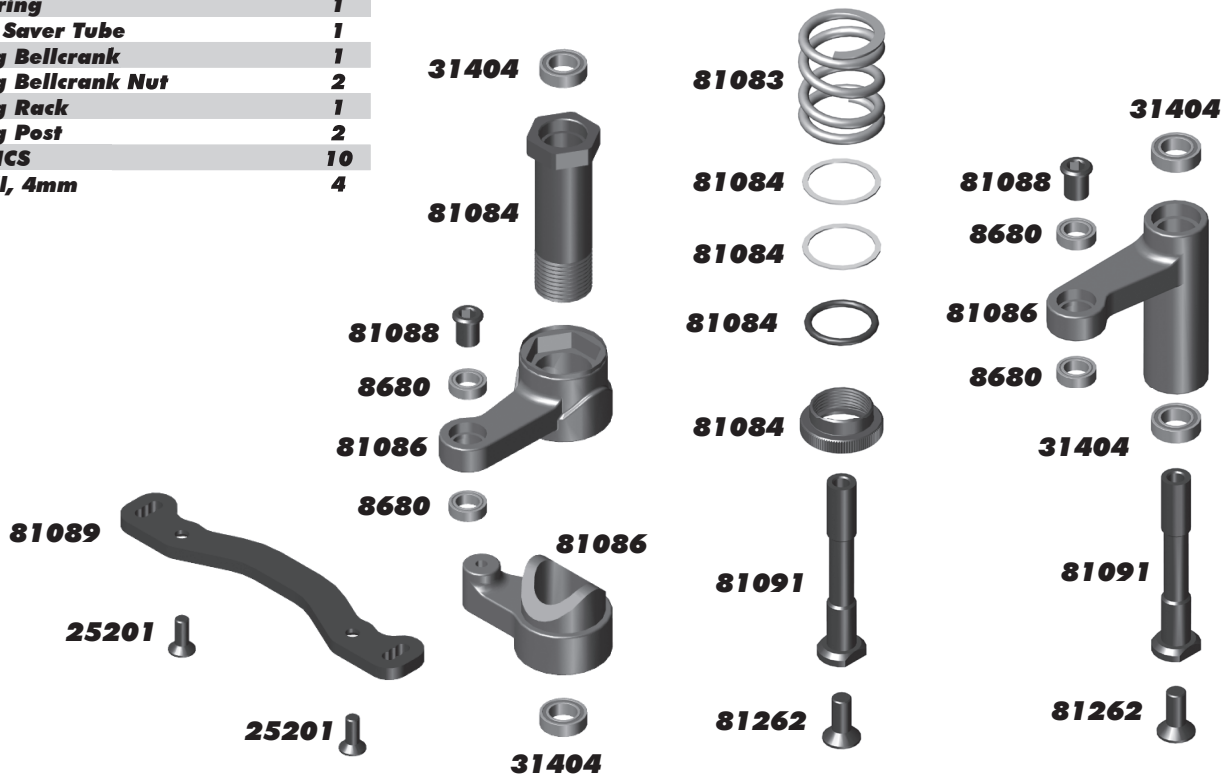
:: Rear Gearbox

4675	M2.5 x 6mm FHCS	10
25620	M3 x 10mm SHCS	10
31521	M2.5 x 8mm BHCS	10
81009	RC8B3.1 Diff Pinion Gear, 12T	1
81015	RC8B3 Gearbox	2
81021	Center Universal, 106mm	1
81050	RC8B3 Arm Mount Insert	12 ea.
81060	RC8B3 Hinge Pin Set	1
81257	M3 x 6mm Set Screw	10
81259	M2.5 x 18mm BHCS	10
81260	M4 x 14mm BHCS	10
81264	M4 x 20mm FHCS	10
81446	RC8B3 Shim Set	1
81454	RC8B3 HRC Arm Mount, Narrow, C	1
81455	RC8B3 HRC Arm Mount, Narrow, D	1
89214	M4 x 12mm FHCS	10
89221	M5 x 4mm Set Screw	10
91561	Bearing, 6 x 12 x 4mm	4



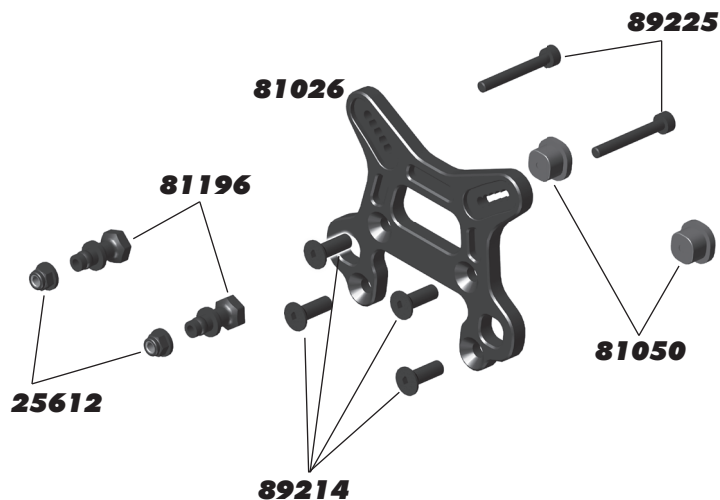
:: Steering

8680	FT Steering Bearing Set, 5 x 8 x 2.5mm & 6 x 10 x 3mm	4 ea.
25201	M3 x 8mm FHCS	10
31404	Bearing, 6 x 10 x 3mm	4
81083	Servo Saver Spring	1
81084	RC8B3.1 Servo Saver Tube	1
81086	RC8B3 Steering Bellcrank	1
81088	RC8B3 Steering Bellcrank Nut	2
81089	RC8B3 Steering Rack	1
81091	RC8B3 Steering Post	2
81262	M4 x 10mm FHCS	10
81397	Turnbuckle Ball, 4mm	4



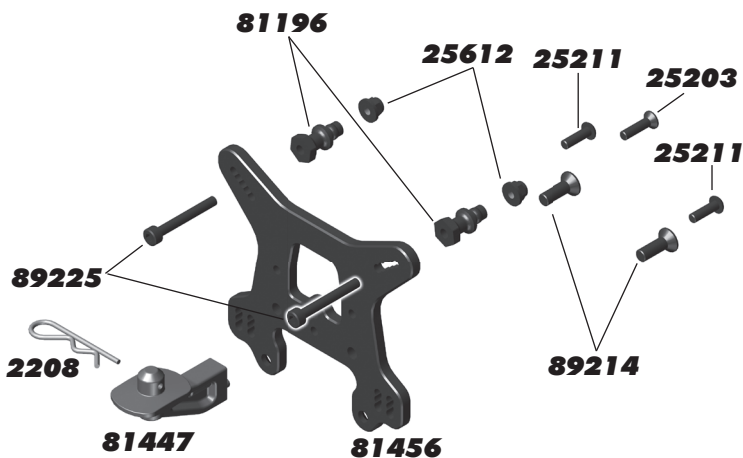
:: Front Shock Tower

25612	M3 Locknut with Flange, Black	20
81026	RC8B3 Shock Tower, Front	1
81050	RC8B3 Arm Mount Inserts	12 ea.
81196	RC8B3 Shock Bushing	4
89214	M4 x 12mm FHCS	10
89225	M3 x 24mm SHCS	10



:: Rear Shock Tower

2208	Large Hood Pins	6
25203	M3 x 12mm FHCS	20
25211	M3 x 10mm BHCS	20
25612	M3 Locknut with Flange, Black	20
81196	RC8B3 Shock Bushing	4
81447	RC8B3 Body Posts & Bumper	1
81456	RC8B3.2 Rear Shock Tower, Aluminum	1
89214	M4 x 12mm FHCS	10
89225	M3 x 24mm SHCS	10



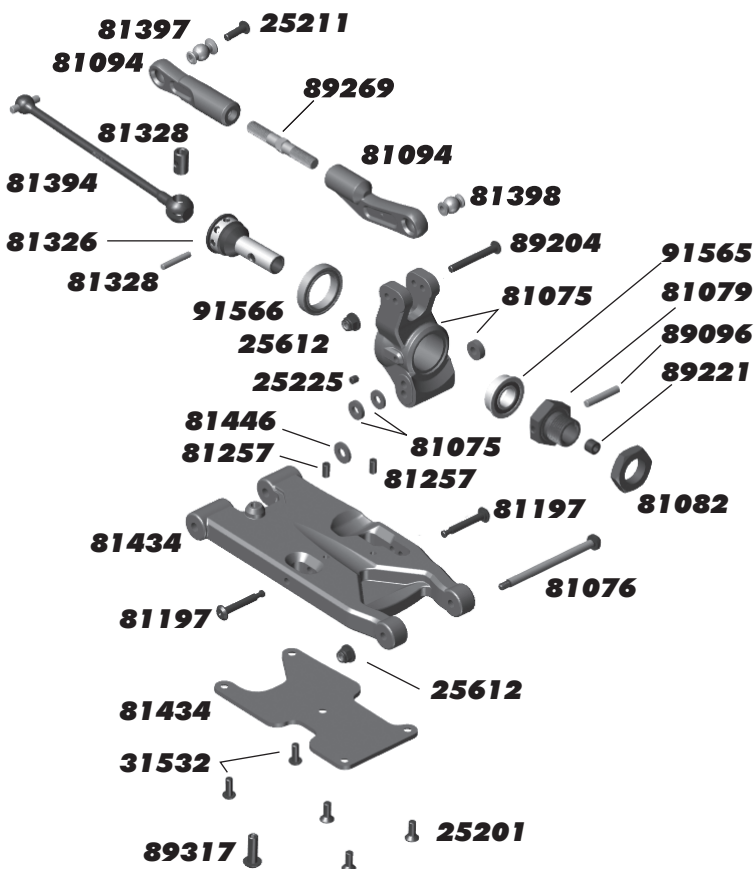
:: Front Suspension

25201	M3 x 8mm FHCS	10
25202	M3 x 10mm FHCS	10
25211	M3 x 10mm BHCS	10
25225	M3 x 3mm Set Screw	10
31532	M3 x 8mm BHCS	10
81056	RC8B3 Suspension Arm Endcap	4
81060	RC8B3 Hinge Pin Set	1
81063	RC8B3 Steering Block Arm +2 deg	Pr.
81065	RC8B3 Steering Block	Pr.
81067	RC8B3 Pillow Ball	2
81070	RC8B3 Pillow Ball Nut	4
81072	RC8B3 Pillow Ball Shim	6
81079	RC8B3 Wheel Hexes, +1mm wide	2
81082	RC8B3 Wheel Nuts, 17mm Blue	2
81093	RC8B3 Rod End, 4mm (4 ball joints, 2 rod ends, 2 offset rod ends)	1
81197	RC8B3 Shock Pin	4
81257	M3 x 6mm Set Screw	10
81326	RC8B3 CVA Axle, steel	2
81328	FT RC8B3 CVA Rebuild Kit	1
81394	RC8B3.1 CVA Driveshaft (94mm)	2
81397	RC8B3.1 Turnbuckle Balls	4
81438	RC8B3.2 Front Lower Susp. Arms	1
81442	RC8B3.2 Front Upper Arm Set	Pr.
81446	RC8B3 Shim Set	1
89096	Wheel Hex Pin	4
89221	M5 x 4mm Set Screw	10
89317	Droop Screw	8
89526	4 x 50mm Turnbuckle	2
91565	8 x 16 x 5mm Flanged Bearing	4
91566	15 x 21 x4mm Bearing	4



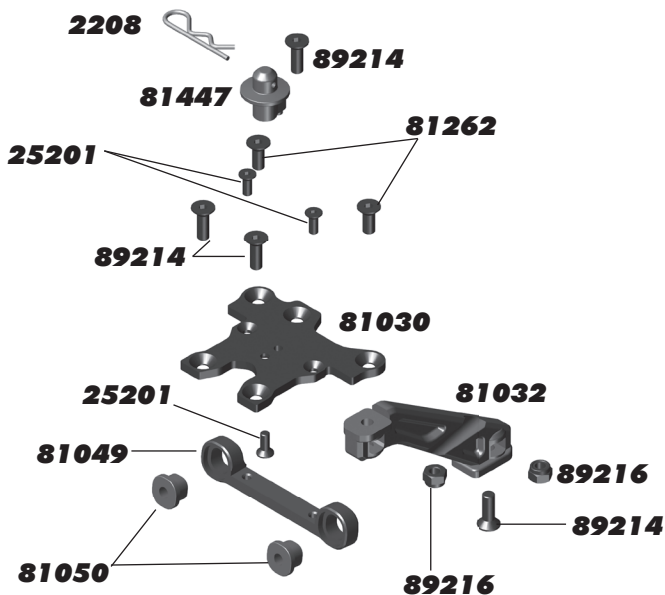
:: Rear Suspension

25201	M3 x 8mm FHCS	10
25211	M3 x 10mm BHCS	10
25225	M3 x 3mm Set Screw	10
25612	M3 Flanged Locknut	10
31532	M3 x 8mm BHCS	10
81075	RC8B3 Rear Hub	Pr.
81076	RC8B3 Hub Hinge Pin	2
81079	RC8B3 Wheel Hexes, +1mm wide	2
81082	RC8B3 Wheel Nuts, 17mm Blue	2
81094	RC8B3 Rod End, 5mm (4 ball joints, 2 rod ends, 2 offset rod ends)	1
81197	RC8B3 Shock Pin	4
81257	M3 x 6mm Set Screw	6
81326	RC8B3 CVA Axle, steel	2
81328	FT RC8B3 CVA Rebuild Kit	1
81394	RC8B3.1 CVA Driveshaft (94mm)	2
81397	RC8B3.1 Turnbuckle Ball	4
81398	RC8B3.1 Turnbuckle Ball (Shouldered)	4
81434	RC8B3.2 Rear Arm Set	1
81446	RC8B3 Shim Set	1
89096	Wheel Hex Pin	4
89204	M3 x 24mm BHCS	10
89221	M5 x 4mm Set Screw	10
89269	Steel Turnbuckle, 5 x 38mm	2
89317	Droop Screw	8
91565	8 x 16 x 5mm Flanged Bearing	4
91566	15 x 21 x4mm Bearing	2



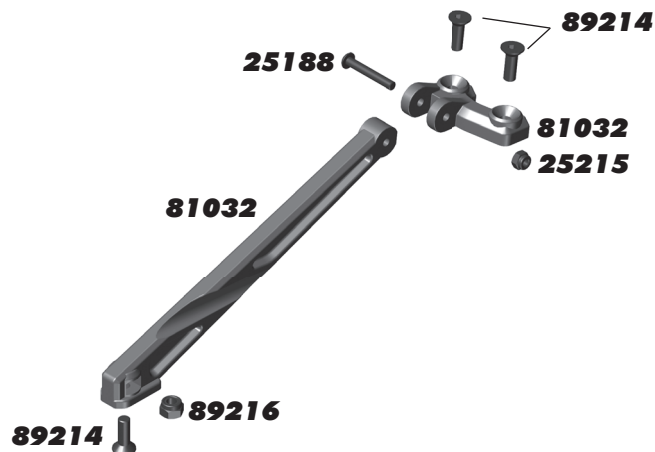
:: Front Chassis Brace

2208	Large Hood Pins	6
25201	M3 x 8mm FHCS	10
81030	RC8B3 Top Plate	1
81032	RC8B3 Chassis Brace	Pr.
81049	RC8B3 Upper Link Mount	1
81050	RC8B3 Arm Mount Insert	12 ea.
81262	M4 x 10mm FHCS	10
81447	RC8B3.2 Body Post and Bumpers	1
89214	M4 x 12mm FHCS	10
89216	M4 Locknut	10



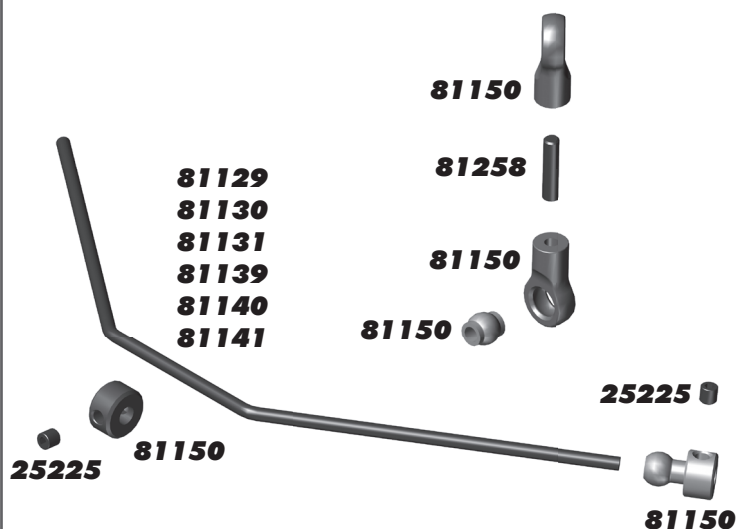
:: Rear Chassis Brace

25188	M3 x 20mm BHCS	10
25215	M3 Locknut, Black	10
81032	RC8B3 Chassis Brace	Pr.
89214	M4 x 12mm FHCS	10
89216	M4 Locknut	10



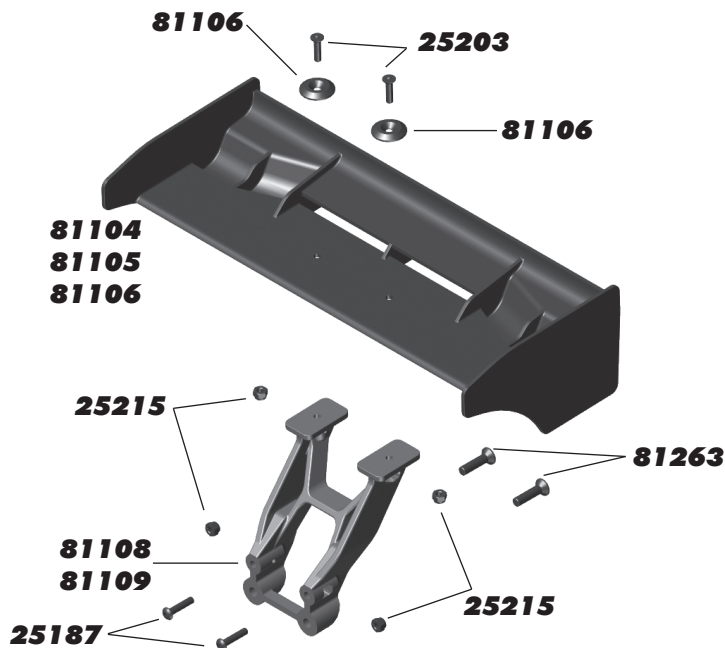
:: Anti-Roll Bars

25225	M3 x 3mm Set Screw	10
81129	RC8B3 Front Anti-Roll Bars (2.0, 2.1, 2.2mm)	1 ea.
81130	RC8B3 Front Anti-Roll Bars (2.3, 2.4, 2.5mm)	1 ea.
81131	RC8B3 Front Anti-Roll Bars (2.6, 2.7, 2.8mm)	1 ea.
81139	RC8B3 Rear Anti-Roll Bars (2.2, 2.3, 2.4mm)	1 ea.
81140	RC8B3 Rear Anti-Roll Bars (2.5, 2.6, 2.7mm)	1 ea.
81141	RC8B3 Rear Anti-Roll Bars (2.8, 2.9, 3.0mm)	1 ea.
81150	RC8B3 Anti-Roll Bar Drop Link / Collet	1
81258	M3 x 12mm Set Screw	6



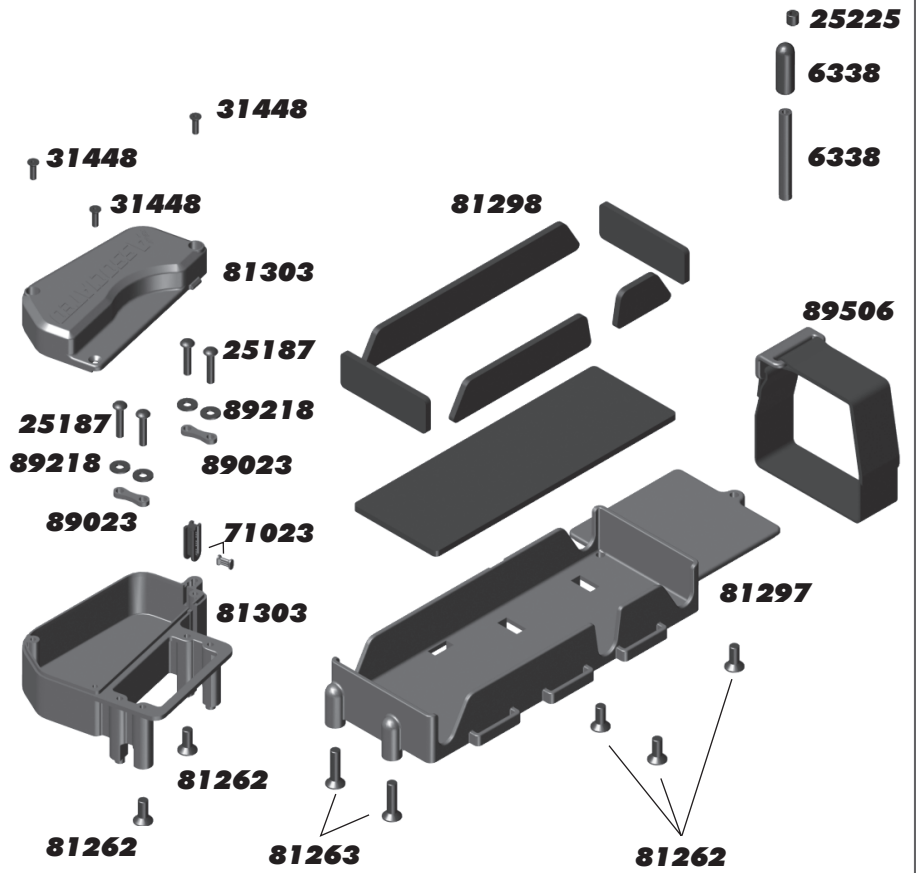
:: Wing

25187	M3 x 14mm BHCS	10
25203	M3 x 12mm FHCS	10
25215	M3 Locknut, Black	10
81104	RC8B3 IFMAR Wing, Black	1
81105	RC8B3 IFMAR Wing, White	1
81106	RC8B3 Wing, Black	1
81108	RC8B3 Wing Mount	1
81109	Wing Mount, +8mm	1
81263	M4 x 16mm FHCS	6



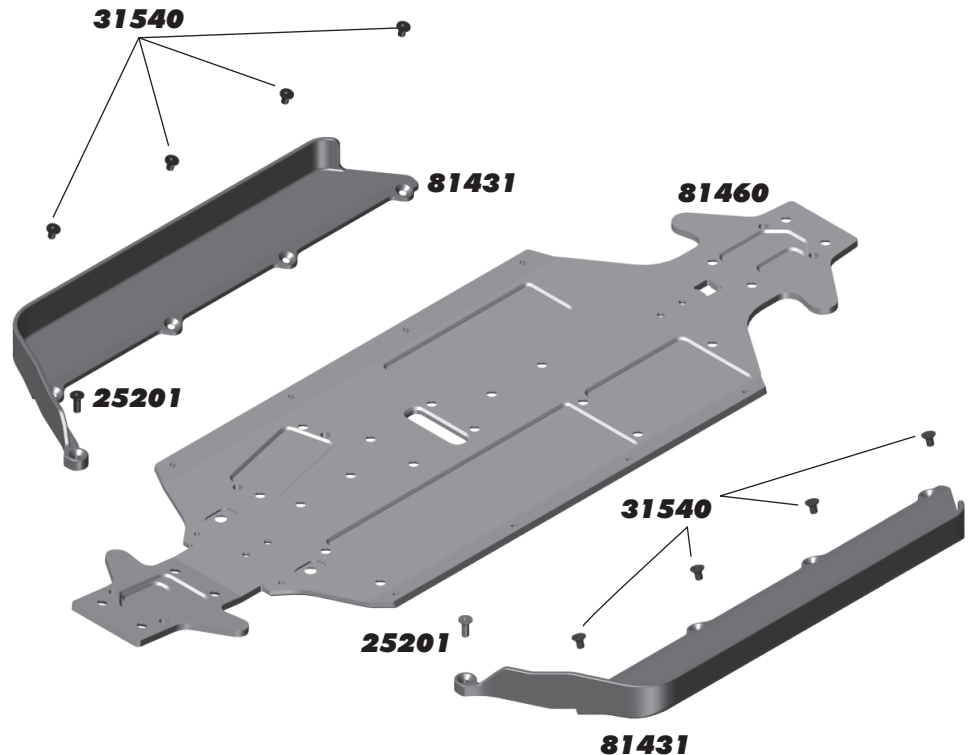
:: Radio Tray / Battery Tray / Servo Linkage

1401	Turnbuckle, 3 x 33mm	2
6338	Antenna Tube with Cap, Black	1
25187	M3 x 14mm BHCS	10
25188	M3 x 20mm BHCS	10
25201	M3 x 8mm FHCS	10
25215	M3 Locknut, Black	10
25225	M3 x 3mm Set Screw	10
31448	M2.5 x 8mm FHCS	10
71023	Receiver Box Grommets	1
81250	RC8B3 Servo Horns	1
81262	M4 x 10mm FHCS	10
81263	M4 x 16mm FHCS	10
81297	RC8B3e Battery Tray	1
81298	RC8B3e Battery Foams	1
81303	RC8B3e Servo / Receiver Box	6
89023	Servo Mount Spacers	1
89218	3 x 8mm Washer	3
89506	Hook and Loop Fastener Battery Strap	1
91048	HD Ballstuds, 8mm	10
91050	HD Ballstuds, 12mm	10
91469	Ball Cup Set, Small	1



:: Chassis

25201	M3 x 8mm FHCS	10
31540	M3 x 5mm FHCS	10
81431	RC8B3.2 Side Guards	Pr.
81460	RC8B3.2e Chassis	1



:: Factory Team and Option Parts

25392	3mm Blue Locknut, Flanged	10
31550	M3 Aluminum Lock Nut	6
81028	RC8B3 FT Graphite Front Shock Tower	1
81077	FT Aluminum Rear Hubs	1
81080	RC8B3 Wheel Hexes, +2mm Wide	2
81081	FT Hex Drives, 17mm, Blue	2
81085	Servo Saver Arm, Aluminum	1
81382	FT Differential Cross Pins, With Inserts	1
81405	RC8B3.1 FT Chassis Weight, 15g	1
81406	RC8B3.1 FT Chassis Weight, 30g	1
81407	RC8B3.1 Shock Seal Bushing Set	1
81408	FT Aluminum Turnbuckle Ball Set	1
81410	RC8B3.1 Shock Bushings, Blue	4
81422	RC8B3.1 FT Graphite Rear Shock Tower, Tall	1

:: Reedy Comp. Motors & Spare Parts

27405	Sonic 866 Competition 1/8 Buggy Motor 1900kV	1
27406	Sonic 866 Competition 1/8 Buggy Motor 2100kV	1
27407	Sonic 877 Competition 1/8 Truggy Motor 2000kV	1
27408	Sonic 866 Rotor - Standard	1
27409	Sonic 866 Rotor - Low-Torque	1
27410	Sonic 877 Rotor- Standard	1
27411	Sonic 866/877 Screw Set (11 pcs.)	1
27412	Sonic 866/877 Bearing Set (pr.)	1
27413	Sonic 866/877 Sensor Board w/bearing	1

:: Reedy Comp. Motors Accessories

978	Flat Sensor Wire 70mm	1
979	Flat Sensor Wire 110mm	1
980	Flat Sensor Wire 150mm	1
981	Flat Sensor Wire 200mm	1
982	Flat Sensor Wire 270mm	1
994	Flat Sensor Wire 125mm	1
995	Flat Sensor Wire 175mm	1
27423	30mm Lightweight Motor Fan w/195mm extension	1
27457	30mm Aluminum Motor Fan w/195mm extension	1
27458	40mm Aluminum Motor Fan w/195mm extension	1

:: Wheels / Tires / Bodies / Decals

726	Reedy 2016 Sticker Set	1
81110	RC8B3 Pro Line Body	1
81270	RC8B3 Decal Sheet	1
89296	RC8 83mm Wheels (White)	4
89297	RC8 83mm Wheels (Yellow)	4

:: Reedy ESC'S

27007	Blackbox 850R Competition 1/8 ESC	1
27008	Blackbox 850R Competition 1/8 ESC w/Programmer	1
27027	Blackbox PROGRAMMER2	1
27030	Blackbox ESC/Programmer2 Connection Wire	1
27032	Blackbox 850R 30x30x10mm Fan w/screws	1

:: MyLaps Transponders

MLP10R120	MyLaps RC4 (3-wire) Transponder	1
MLP10R147	MyLaps RC4 (3-wire) Pro Transponder, Black	1
MLP40R222	MyLaps Transponder Holder	1

:: Reedy Chargers and Accessories

27200	1216-C2 Dual AC/DC Comp. Battery Charger	1
27201	324-S AC LiPo/LiFe Compact Balance Charger	1
27202	123-S AC LiPo Compact Balance Charger	1
27220	7-in-1 Universal Charge Lead (4mm)	1
27221	T-plug Charge Lead (4mm)	1
27222	XH 2-6S Balance Board (4mm)	1
27223	RX Charger Lead FUT (4mm)	1
27224	US to IEC 320 C5 angle 1M AC Power Cord	1
27226	EU to IEC 320 C5 angle 1M AC Power Cord	1
27232	4mm/5mm Pro Charge Lead	1

:: Reedy Servos & Accessories

27100	RS1206 Digital HV Hi-Speed Competition Servo	1
27101	RT1508 Digital HV Hi-Torque Competition Servo	1
27102	RS1206 Servo Case Set w/screws	1
27103	RS1206 Servo Gear Set	1
27105	RT1508 Servo Gear Set	1
27114	RT2406 Digital HV Brushless Competition Servo	1
27122	Reedy Aluminum Servo Horn (25)	1
27123	Reedy Aluminum Clamping Servo Horn (25)	1
27135	RT2406 Gear Set	1
27136	RT2706A Gear Set	1
27139	RT2406 Case Set	1

:: Reedy Batteries

302	AA Alkaline 1.5V (4)	1
756	Wolfpack LiPo 4000mAh 35C 14.8V w/T-Plug	1
27313	LiPo Pro TX/RX 2400mAh 7.4V Flat	1
27315	LiFe Pro TX/RX 1600mAh 6.6V Flat	1
27353	Zappers SG3 6400mAh 115C 15.2V Stick	1
27354	Zappers SG3 5200mAh 115C 15.2V LP Stick	1

:: Reedy Accessories

643	Low Profile Bullet Plug 4mm x 14mm (2)	1
644	Low Profile Bullet Plug 4mm x 14mm (10)	1
645	Low Profile Bullet Plug 5mm x 14mm (2)	1
646	Low Profile Bullet Plug 5mm x 14mm (10)	1
647	Silicone Wire 12AWG-Black (1m)	1
648	Silicone Wire 14AWG-Black (1m)	1
650	Shrink Tubing - 15pcs 4.5mm x 20mm	1
747	Silicone Wire 12AWG-Black (30m)	1
790	Silicone Wire 13AWG-Black (1m)	1
791	Silicone Wire 13AWG-Black (30m)	1
792	Low Profile Caged Bullet Plug 4mm x 14mm (2)	1
794	Low Profile Caged Bullet Plug 5mm x 14mm (2)	1

:: Apparel / Promotional**TEE SHIRTS**

SP124*	AE 2017 Worlds Tee, Black (S, M, L, XL-5XL)	1
SP126*	Team Assoc. Tri T-Shirt, Black (S, M, L, XL-5XL)	1
SP128*	Team Assoc. Womens Tri T-Shirt, Black (S, M, L)	1
SP129*	Team Assoc. Youth Tri T-Shirt, Black (S, M, L)	1
SP130*	Team Assoc. Youth WC19 T-Shirt, Black (S, M, L)	1
SP131*	Team Assoc. Womens WC19 T-Shirt, Black (S, M, L)	1
SP132*	Team Assoc. WC19 T-Shirt, Black (S, M, L, XL-5XL)	1
SP143*	Reedy W19 T-Shirt, Black (S, M, L, XL-3XL)	1
SP161*	FT T-Shirt, White (S, M, L, XL-3XL)	1
SP200*	Element RC Logo Tee, Gray (S, M, L, XL-5XL)	1
SP201*	Element RC Rhombus Tee, Black (S, M, L, XL-5XL)	1

HOODIES/JACKETS

SP125*	AE 2017 Worlds Pullover, Black (S, M, L, XL-3XL)	1
SP127*	Team Associated Tri Zip Up, Black (S, M, L, XL-3XL)	1
SP142*	Reedy W19 Hoodie - Black (S, M, L, XL-3XL)	1
SP160*	FT Logo Lightweight "Medal" Zip Up Streaked, Black (S, M, L, XL-4XL)	1
SP230*	Element RC Zip Up, Black (S, M, L, XL-5XL)	1
SP231*	Element RC Hoodie, Black (S, M, L, XL-5XL)	1
SP250*	Element RC Jacket, Black (S, M, L, XL-2XL)	1

HATS

SP20	AE Patch Trucker Hat	1
SP260	Element RC Hat, Curved Bill, Black	1
SP261	Element RC Hat, Flat Bill, Black	1
SP262	Element RC Beanie, Black	1
SP430	Reedy Trucker Hat 2018	1
SP431	Team Associated Tri Trucker Hat, Flat Bill	1
SP432	Team Associated Tri Trucker Hat, Curved Bill	1
SP434	FT Logo Trucker Hat, Flat Bill	1
SP435	FT Logo Trucker Hat, Curved Bill	1

BANNERS/MATS CARRIERS

SP115	Reedy Circuit Cloth Banner	1
SP280	Element RC Counter Top Mat	1
SP281	Element RC Pit Mat	1
SP282	Element RC Pit Towel	1
SP283	Element RC Vinyl Banner, 48x24	1
SP284	Element RC Vinyl Banner, 20x12	1
SP285	Element RC Pin Pattern Counter Top Mat	1
SP425	FT Fluid Carrier	1

** Use part number plus the desired size when ordering!

:: Lubes & Adhesives / Misc.

1105	FT Green Slime Shock Lube	1
1596	FT Locking Adhesive	1
1597	FT Tire Adhesive	1
5451	Silicone Diff Fluid 2,000CST	1
5452	Silicone Diff Fluid 3,000CST	1
5444	Silicone Diff Fluid 4,000CST	1
5453	Silicone Diff Fluid 5,000CST	1
5446	Silicone Diff Fluid 6,000CST	1
5447	Silicone Diff Fluid 15,000CST	1
5454	Silicone Diff Fluid 7,000CST	1
5455	Silicone Diff Fluid 10,000CST	1
5456	Silicone Diff Fluid 20,000CST	1
5457	Silicone Diff Fluid 30,000CST	1
5458	Silicone Diff Fluid 60,000CST	1
5448	Silicone Diff Fluid 80,000CST	1
5459	Silicone Diff Fluid 100,000CST	1
5461	Silicone Diff Fluid 200,000CST	1
5463	Silicone Diff Fluid 500,000CST	1
5465	Silicone Diff Fluid 1,000,000CST	1
6588	Black Grease - 4cc	1
6591	S.Diff Lube - 4cc	1
6636	Silicone Grease - 4cc	1
6727	Servo Tape	2
7710	FT Foam Prefilter Treatment, 1 oz.	1



1596

:: Tools

1111	FT Turnbuckle Wrench - 1/10 Vehicles	1
1112	FT 4mm Turnbuckle Wrench - 1/10 Vehicles	1
1113	12mm Big Bore Shock Tool	1
1114	FT Dual Turnbuckle Wrench	1
1449	Off Road Ride Height Gauge	1
1452	FT TC Ride Height Gauge - Touring Car Vehicles	1
1498	FT Universal Tire Balancer	1
1499	FT Body Reamer	1
1500	FT 1.5mm Hex Driver	1
1501	FT 2.0mm Hex Driver	1
1502	FT 2.0mm Ball Hex Driver	1
1503	FT 2.5mm Hex Driver	1
1504	FT 2.5mm Ball Hex Driver	1
1505	FT 3.0mm Hex Driver	1
1506	FT 5.0mm Hex Driver	1
1507	FT 5.5mm Nut Driver	1
1508	FT 7.0mm Nut Driver	1
1510	FT 1.5mm Hex Replacement Tip	1
1511	FT 2.0mm Hex Replacement Tip	1
1512	FT 2.0mm Ball Replacement Tip	1
1513	FT 2.5mm Hex Replacement Tip	1
1514	FT 2.5mm Ball Replacement Tip	1
1515	FT 3.0mm Hex Replacement Tip	1
1518	FT Hex Driver Tool Set (3pcs)	1
1519	FT Hex/Nut Driver Tool Set (5pc)	1
1522	FT Digital Scale, 100/0.01g	1
1555	FT Clutch Gauge, 4 Shoe	1
1568	FT 5.5mm Short Nut Driver	1
1569	FT 7mm Nut Driver, T-Handle	1
1570	FT 5.5mm Short Nut Driver	1
1571	FT 1:8 Wheel Nut Wrench, 17mm Hex	1
1579	FT Ball Cup Wrench	1
1595	Chassis Weights, 1/4 oz	1
1650	7 Piece Hex Driver Set	1
1657	FT 1/4" Hex Drive .050" Tip	1
1659	FT 1/4" Hex Drive 5/64" - 2.0mm Tip	1
1661	FT 1/4" Hex Drive 1.5mm Tip	1
1662	FT 1/4" Hex Drive 2.5mm Tip	1
1666	FT 1/4" Hex Drive 5.5mm Nut Driver Tip	1
1667	FT 1/4" Hex Drive 7.0mm Nut Driver Tip	1
1668	FT 1/4" Hex Drive 8.0mm Nut Driver Tip	1
1674	FT 1/4" 5 Piece Power Tool Tips Set (5/64-2.0mm, 1.5mm, 2.5mm, 5/64"- 2.0mm ball, 2.5mm ball)	1
1675	FT Shock Shaft Pliers	1
1679	FT T-Handle Ratchet Driver	1
1719	FT Camber + Track Width Tool	1
1737	FT Body Scissors	1
3718	12 Inch Nylon Wire Ties	12
3987	FT Droop Gauge - Touring Car Vehicles	1
89240	RC8 FT Turnbuckle Wrench	1

:: Contact Information

Check out the following web sites for all of our electric kits, current products, new releases, setup help, tips, and racing info!

Associated Electrics, Inc.

21062 Bake Parkway

Lake Forest, CA 92630-8853 USA

<http://www.TeamAssociated.com>

<http://www.RC10.com>

http://twitter/Team_Associated

<http://www.instagram.com/teamassociatedrc/>

<http://www.facebook.com/TeamAssociated/>

call: (949) 544-7500

fax: (949) 544-7501

TEAM ASSOCIATED

WORLD CHAMPION R / C CARS

Associated Electrics, Inc.
21062 Bake Parkway Lake Forest, CA 92630 USA

call: (949) 544-7500 - fax: (949) 544-7501
Check out the following web sites for all of our kits,
current products, new releases, setup help, tips, and racing info!
www.AssociatedElectrics.com

FOLLOW US ON SOCIAL MEDIA



TeamAssociated
ReedyPower
ElementRC



@TeamAssociatedRC
@ReedyPower
@Element_RC



@Team_Associated
@ReedyPower



AFactoryTeam