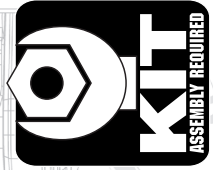




RC8B1 TEAMKIT



1:8 Scale Nitro 4WD Off Road Competition Buggy Kit Manual & Catalog

#80935 RC8B3.1 Team Kit

TEAM ASSOCIATED



Designed in California, USA

:: Introduction

Thank you for purchasing this Team Associated product. This assembly manual contains instructions and tips for building and maintaining your new RC8B3.1 Kit. Please take a moment to read through this manual to help familiarize yourself with these steps. We are continually changing and improving our designs; therefore, actual parts may appear slightly different than in the illustrations. New parts will be noted on supplementary sheets located in the appropriate parts bags. Check each bag for these sheets before you start to build.

:: KIT Features

Features in the RC8B3.1 Kit:

- Front suspension features pillow ball uprights for increased adjustability and improved durability
- Light weight ring gears and optimized precision ball bearing sizing, reduces drivetrain rotational mass for improved acceleration and fuel economy
- Gearboxes feature a 3.38:1 internal gear ratio with fast access differentials for quick removal, tuning and maintenance
- Center universal drive shafts for efficient drivetrain power delivery and ease of maintenance
- Braking system features bonded pads and machined steel rotors for maximum braking force and reduced fade
- 7075-T6 aluminum 16mm "Big Bore" threaded shocks with TiN coated 3.5mm shafts, precision springs, and emulsion style bleeder cap for better bump absorption
- 7075-T6 aluminum shock towers front and rear feature finely tuned shock mounting and upper arm positions
- Refined suspension geometry with lower hinge pin inserts for quick and easy roll center adjustments
- Light weight one-piece wing mounts feature height and forward positioning adjustment for more precise handling
- Carbon fiber radio tray with sealed receiver box keeps dirt and debris from receiver
- Large capacity fuel tank with floating clunk filter and optimized internal baffles keep fuel flowing in the most extreme conditions
- Proline RC8B3.1 clear body and Team Associated molded wing included

:: Additional

Your new RC8B3.1 Kit comes as a kit. There are some items you will need to complete your kit (refer to catalog for suggestions):

- .21 rear exhaust engine • Muffler, joining pack, or manifold spring
- 2 channel radio/transmitter set with switch – FM/PCM/2.4GHz recommended
- Transmitter batteries (#302 recommended)
- 4.8-7.4v receiver battery pack
 - LiPo - flat style (#304, 315)
 - LiFe - flat style (#305)
 - NiMH - flat style (#613)
- Model car fuel (30% nitro recommended)
- Fuel bottle (#1747 recommended)
- Glow igniter (#1738 recommended)
- Starter box (#1751 recommended)
- 1/8th scale buggy tires
- CA (Cyanoacrylic) glue (#1597 recommended)
- Polycarbonate specific spray paint or polycarbonate specific bottled paint and airbrush
- Thread locking compound (#1596 recommended)
- Needle nose pliers
- Shock Shaft Pliers (#1675 recommended)
- Hobby knife
- Reamer/hole punch
- Ride Height Gauge (#1449 recommended)

:: Other Helpful Items

- Silicone Shock/Diff Fluids (Refer to catalog for complete listings)
- Body Scissors (AE #1737)
- FT Turnbuckle Wrench (AE #1114)
- Soldering Iron
- FT Hex Wrenches (AE #1655)
- Calipers or Precision Ruler
- FT Nut Drivers (AE #1663-1668)
- Green Slime shock lube (AE #1105)
- FT 5.0mm Hex Drive (AE #1506)













Associated Electrics, Inc.
 26021 Commercentre Dr.
 Lake Forest, CA 92630














Customer Service
 Tel: 949.544.7500
 Fax: 949.544.7501

:: Hardware - 1:1 Scale View






Flat Head (fhcs)

	2.5x6mm (4675)
	2.5x8mm (31448)
	3x6mm (31541)
	3x8mm (25201) Titanium (91592)
	3x10mm (25202) Titanium (91593)
	3x12mm (25203) Titanium (91594)
	3x14mm (89208) Titanium (91595)
	4x10mm (81262)
	4x12mm (89214)
	4x14mm (89217)
	4x16mm (81263)
	4x20mm (81264)







Button Head (bhcs)

	2.5x6mm (31520)
	2.5x8mm (31521)
	2.5x18mm (81259)
	3x6mm (31531) Titanium (91580)
	3x10mm (25211)
	3x14mm (25187) Titanium (91584)
	3x16mm (89203) Titanium (91585)
	3x20mm (25188)
	3x24mm (89204) Titanium (91589)
	4x14mm (81260)
	4x16mm (81261)





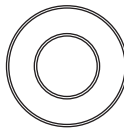
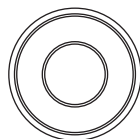
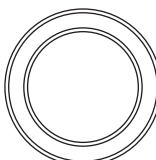
Socket Head (shcs)

	2x5mm (31511)
	2x16mm (7184)
	3x8mm (89223)
	3x10mm (25620)
	3x24mm (89225)






Set Screws

	3x3mm (25225)
	3x6mm (81257)
	3x10mm (4671)
	3x12mm (81258)
	4x4mm (7732)
	5x4mm (89221)

Ball Bearings

	5x8x2.5mm (89161)
	5x10x4mm (91560)
	6x10mm (31404)
	6x12x4mm (91561)
	8x16x5mm (91564)
	8x16x5mm flanged (91565)
	15x21x4mm (91566)

Nuts (lock/plain)

	M3 Nut (91477)
	M3 Alum. Locknut, Blue (31550)
	M3 Locknut, Black (25215)
	M3 Locknut w/Flange (25612)
	FT 3mm Locknuts, Blue(25392)
	M4 Locknut w/Flange (91148)
	FT M4 Locknut, Blue (31551)
	M4 Locknut, Serrated (91738)

:: Table of Contents

1..... Cover	16 - 17.....Center Bulkhead/ Brakes Build (Bag 7.1, 7.2)
2..... Introduction	17 - 18Anti-Roll Bars Build (Bag 8.1)
3..... 1:1 Hardware "Fold Out"	19 - 20.....Shocks Build (Bag 9.1, 9.2)
4..... Table of Contents	20 - 22.....Radio Tray Build (Bag 10.1, 10.2, 10.3)
5 - 7.....Differentials Build (Bag 1.1, 1.2)	23 - 24.....Servo Horns / Linkage Build (Bag 11.1, 11.2)
7 - 8.....Steering / Chassis Build (Bag 2.1, 2.2)	24 - 28.....Engine / Tank Build (Bag 12.1, 12.2, 12.3)
9 - 10.....Front Gearbox Build (Bag 3.1, 3.2)	29.....Wheel/Tire/Body Build (Misc. Bag)
11 - 12.....Front Uprights Build (Bag 4.1, 4.2)	30.....Droop Settings
12 - 14.....Rear Gearbox Build (Bag 5.1, 5.2)	31 - 41..... Catalog
15 - 16.....Rear Uprights / Turnbuckles Build (Bag 5.2, 6.1)	42..... Back Cover

:: Notes



This symbol indicates a special note or instruction in the manual.



This symbol indicates a Racers Tip.



Scanning this QR code will take you to Team Associated's Tech Tips videos. These videos will help you with your build and setup!



There is a 1:1 hardware foldout page in the front of the manual. To check the size of a part, line up your hardware with the correct drawing until you find the exact size. Each part in the foldout has a number assigned to it for ordering replacement parts.

Associated Electrics, Inc.
26021 Commercentre Dr.
Lake Forest, CA 92630



Customer Service
Tel: 949.544.7500
Fax: 949.544.7501

:: Differential Build (Front and Rear) - Bag 1.1, 1.2 - Step 1

#6588 black grease

81379
Diff Case

81385
Outdrive O-Ring
5.8x1.9mm

91564
8x16x5 Bearing

81381
Diff Shim
6x8x0.20mm

#6588 black grease

81008
15mm Outdrive,
Rear Diff

81012
17mm Outdrive,
Front Diff

81380
Pin
2.5x12mm

81380
Diff Sun Gear, 20T

Align pin with groove in sun gear

:: Differential Build (Front and Rear) - Bag 1.1, 1.2 - Step 2

81381 x4
Diff Shim
3.5x11x0.12mm

81380 x2
Diff Crosspin

81380 x4
Diff Planet Gear

Racer's Tip:
You can use #81385 Planet O-Ring between the Planet Gears and the Diff Shims as a tuning option. Do Not install 3.3x1.5mm Planet O-Ring for kit setup.

:: Differential Build (Front and Rear) - Bag 1.1, 1.2 - Step 3

#6588 black grease

81002
Diff Ring Gear, 44T

81385
Outdrive O-Ring
5.8x1.9mm

91564
8x16x5 Bearing

81381
Diff Shim
6x8x0.20mm

#6588 black grease

81008
15mm Outdrive,
Rear Diff

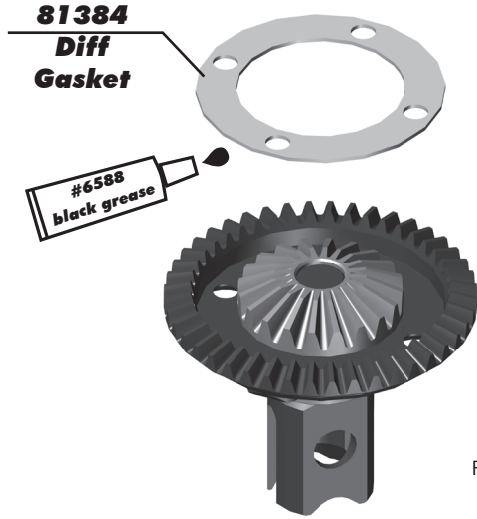
81012
17mm Outdrive,
Front Diff

81380
Pin
2.5x12mm

81380
Diff Sun Gear, 20T

Align pin with groove in sun gear

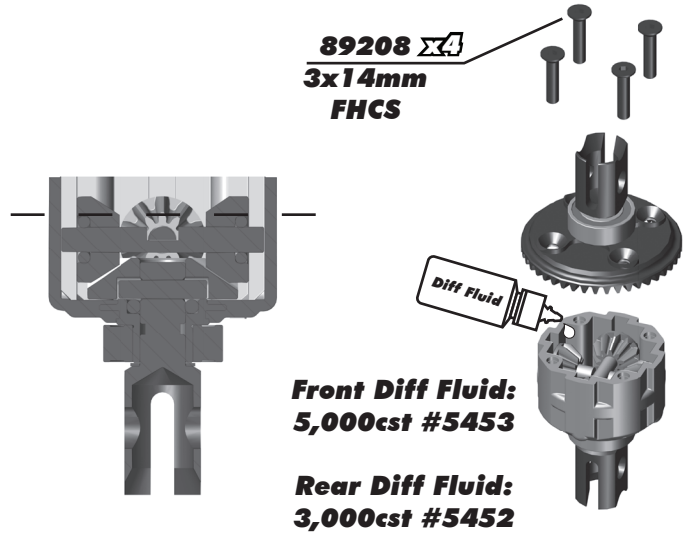
:: Differential Build (Front and Rear) - Bag 1.1, 1.2 - Step 4



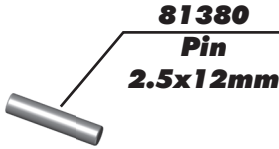
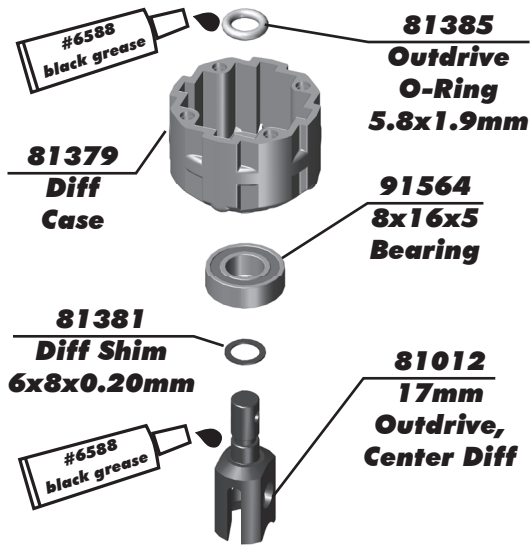
Racer's Tip:
Use black grease (#6588) to coat the Diff Gasket before installation!



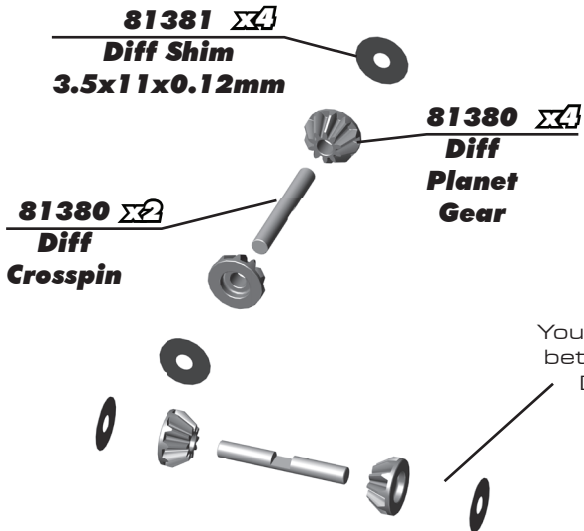
Racer's Tip:
Fill diff above the cross pins, below the planet gears as shown.



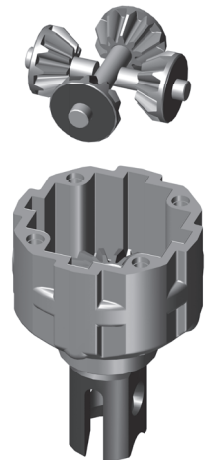
:: Differential Build (Center) - Bag 1.1, 1.2 - Step 5



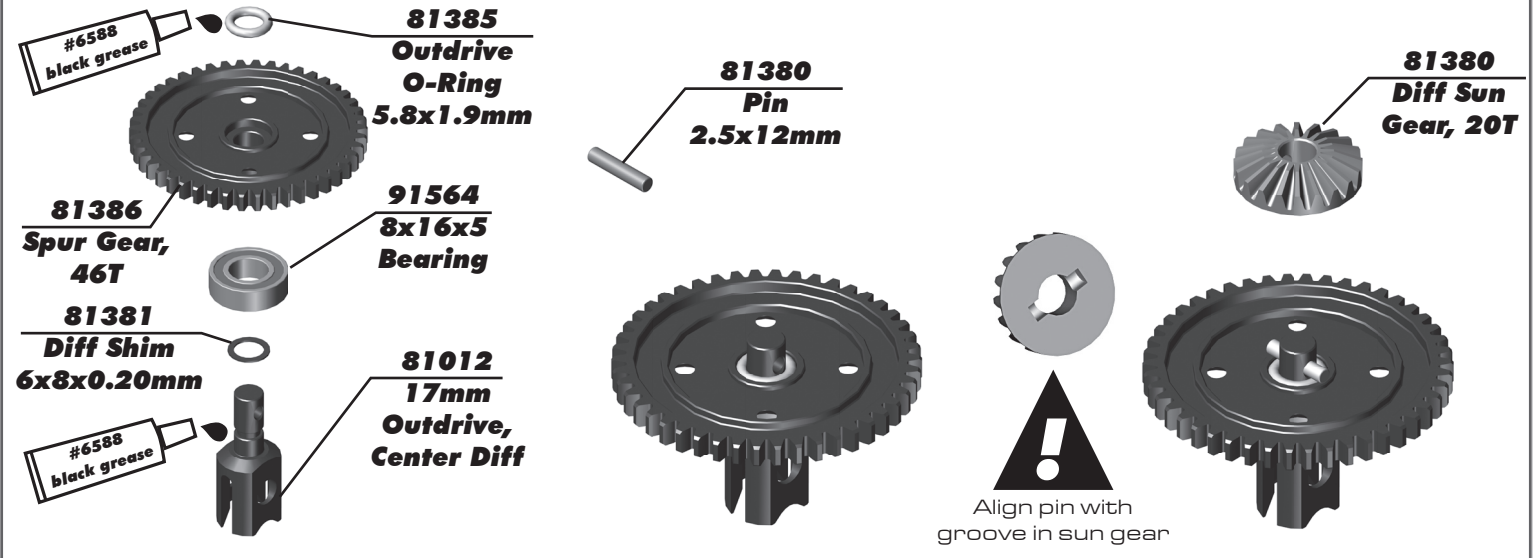
:: Differential Build (Center) - Bag 1.1, 1.2 - Step 6



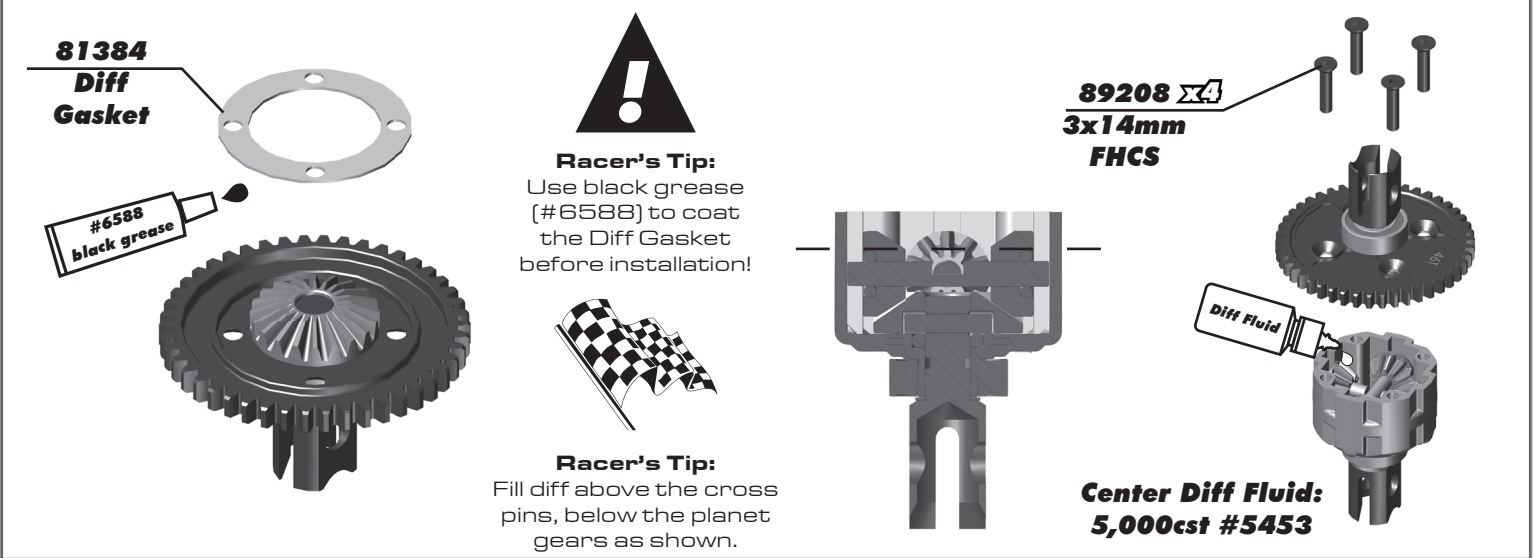
Racer's Tip:
You can use #81385 Planet O-Ring between the Planet Gears and the Diff Shims as a tuning option.



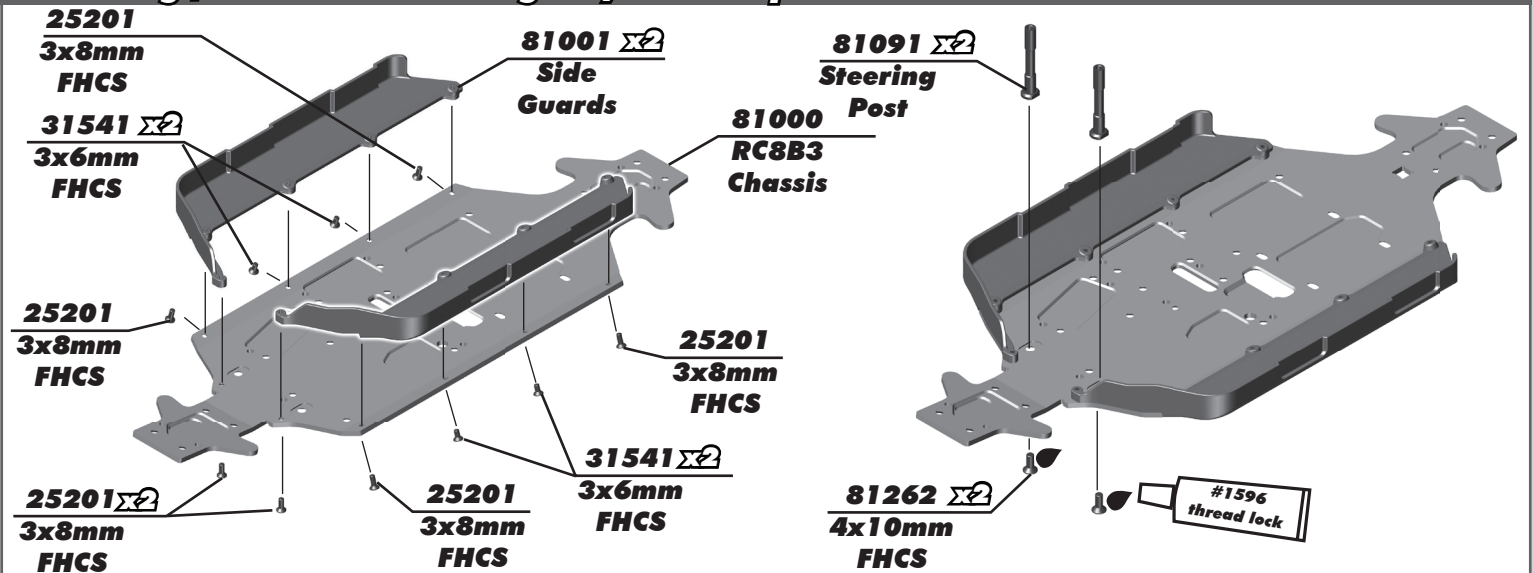
:: Differential Build (Center) - Bag 1.1, 1.2 - Step 7



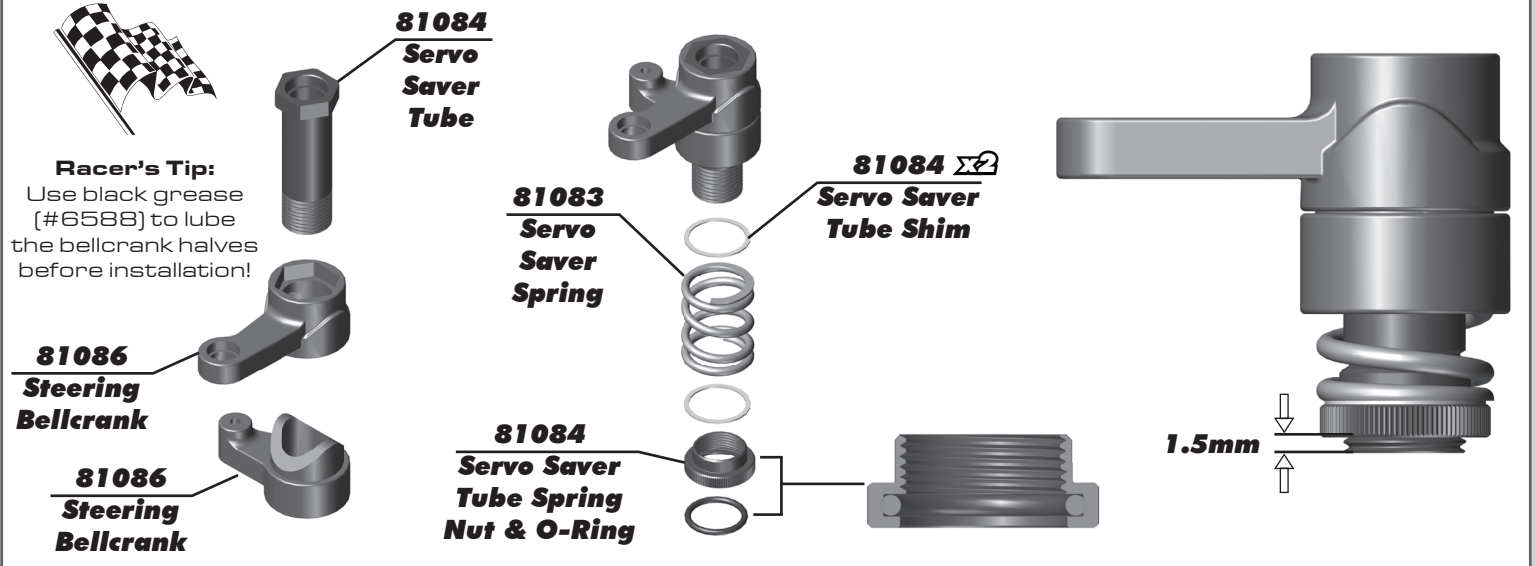
:: Differential Build (Center) - Bag 1.1, 1.2 - Step 8



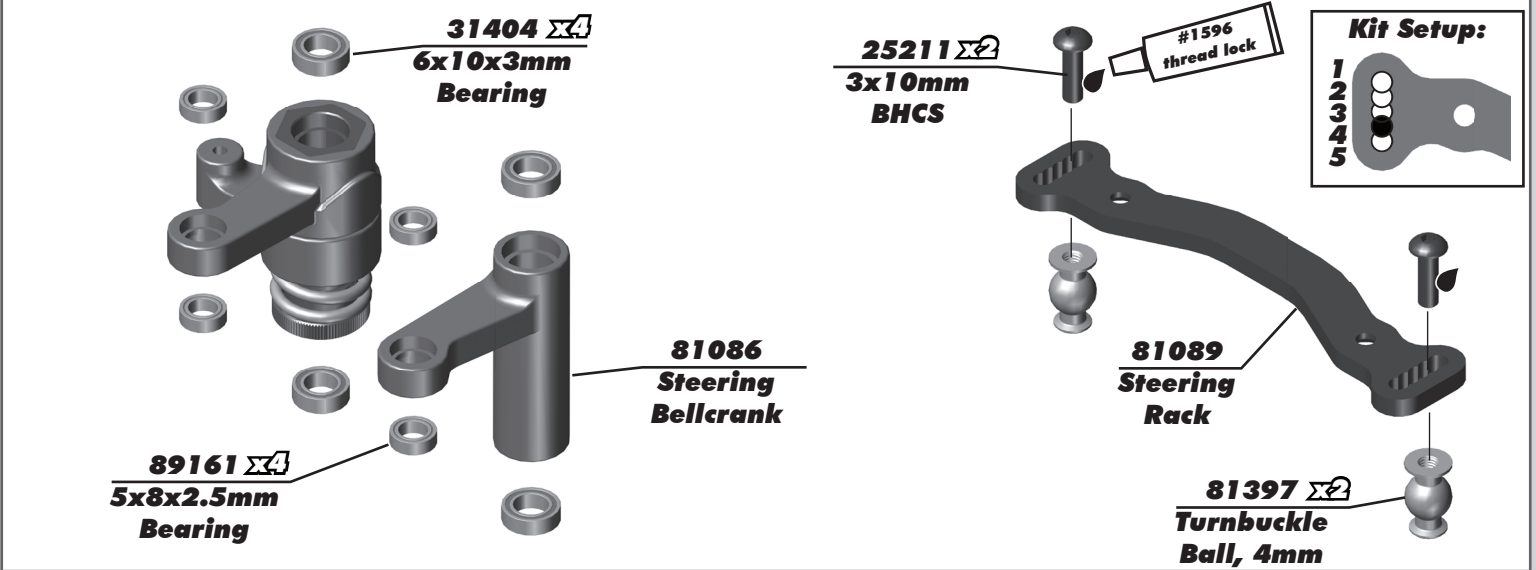
:: Steering / Chassis Build - Bag 2.1, 2.2 - Step 1



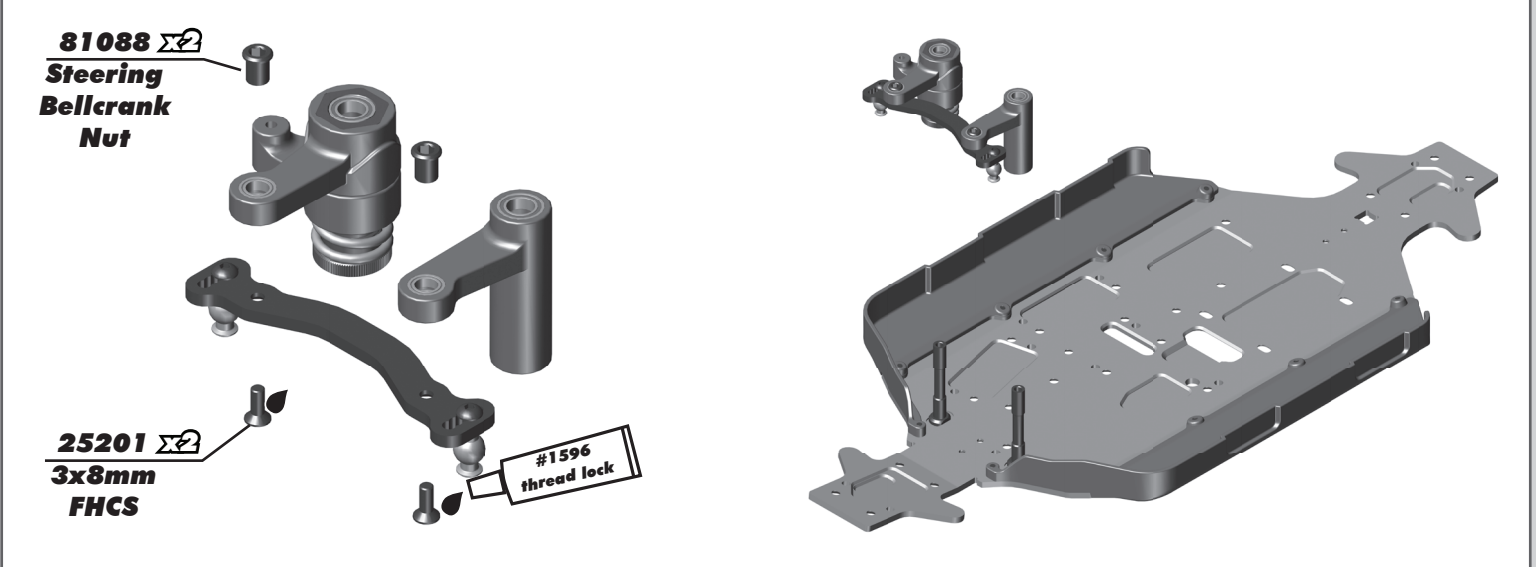
:: Steering / Chassis Build - Bag 2.1, 2.2 - Step 2



:: Steering / Chassis Build - Bag 2.1, 2.2 - Step 3



:: Steering / Chassis Build - Bag 2.1, 2.2 - Step 4



:: Front Gearbox Build - Bag 3.1, 3.2 - Step 1



Racer's Tip:
Use black grease (#6588) to lube the Diff Pinion before installation!

81003
Diff Pinion
Gear, 13T

81015
Gearbox,
(Inboard)

91561
6x12x4mm
Bearing

89221
5x4mm
Set Screw

#1596
Thread Lock

81020
Center
Universal,
(76mm)

81015
Dust Cap

4675
2.5x6mm
FHCS

:: Front Gearbox Build - Bag 3.1, 3.2 - Step 2

NOTE:
Install the FRONT Diff!



81381
Diff Shim
13.5x15.8x0.20mm

81015
Gearbox,
(Outboard)

25620
3x10mm
SHCS

81015
Anti-Roll
Bar Cap

81259
2.5x18mm
BHCS



Step 1:
Add shims on this side to
TIGHTEN gear mesh.
Subtract shims on this side
to LOOSEN gear mesh.

Step 2:
Add or subtract shims here
to finalize diff side to side
play once gear mesh is
set from Step 1.
Recommended diff side to
side clearance (gearbox
assembly) 0.10 - 0.25mm.

Notes:
0.1 mm shim can be used for
fine tuning of gear mesh

:: Front Gearbox Build - Bag 3.1, 3.2 - Step 3

Kit Setup:



81292
RC8B3.1 Arm
Mount (B)

81050
Arm Mount
Insert,
Center

81054
Front Arm,
Lower

81054
Front Arm
Shim, 1mm

81060
Hinge
Pin

89317
Droop
Screw



Note that each arm is
marked with a R for the
Right Arm or an L for
the Left Arm.

:: Front Gearbox Build - Bag 3.1, 3.2 - Step 4

Kit Setup:

81291 RC8B3.1 Arm Mount (A)

81260 $\Sigma 2$ 4x14mm BHCS

81050 $\Sigma 2$ Arm Mount Insert, Center

89214 4x12mm FHCS

81112 Body Post, Front

81030 Top Plate

89216 M4 Locknut

25201 3x8mm FHCS

81032 Chassis Brace, Front

:: Front Gearbox Build - Bag 3.1, 3.2 - Step 5

Kit Setup:

25201 $\Sigma 2$ 3x8mm FHCS

81049 Upper Link Mount

81050 $\Sigma 2$ Arm Mount Insert, Center, Inside

89214 $\Sigma 2$ 4x12mm FHCS

89225 $\Sigma 2$ 3x24mm SHCS

81196 $\Sigma 2$ Shock Bushing

81026 Shock Tower, Front

81050 $\Sigma 2$ Arm Mount Insert, Center

#1596 thread lock

54321

:: Front Gearbox Build - Bag 3.1, 3.2 - Step 6

Caster Clips

0.9mm 1mm 2mm

89214 $\Sigma 4$ 4x12mm FHCS

81055 Caster Clip, 1.0mm

81060 Hinge Pin, Front Upper Short

81055 Caster Clip, 2.0mm

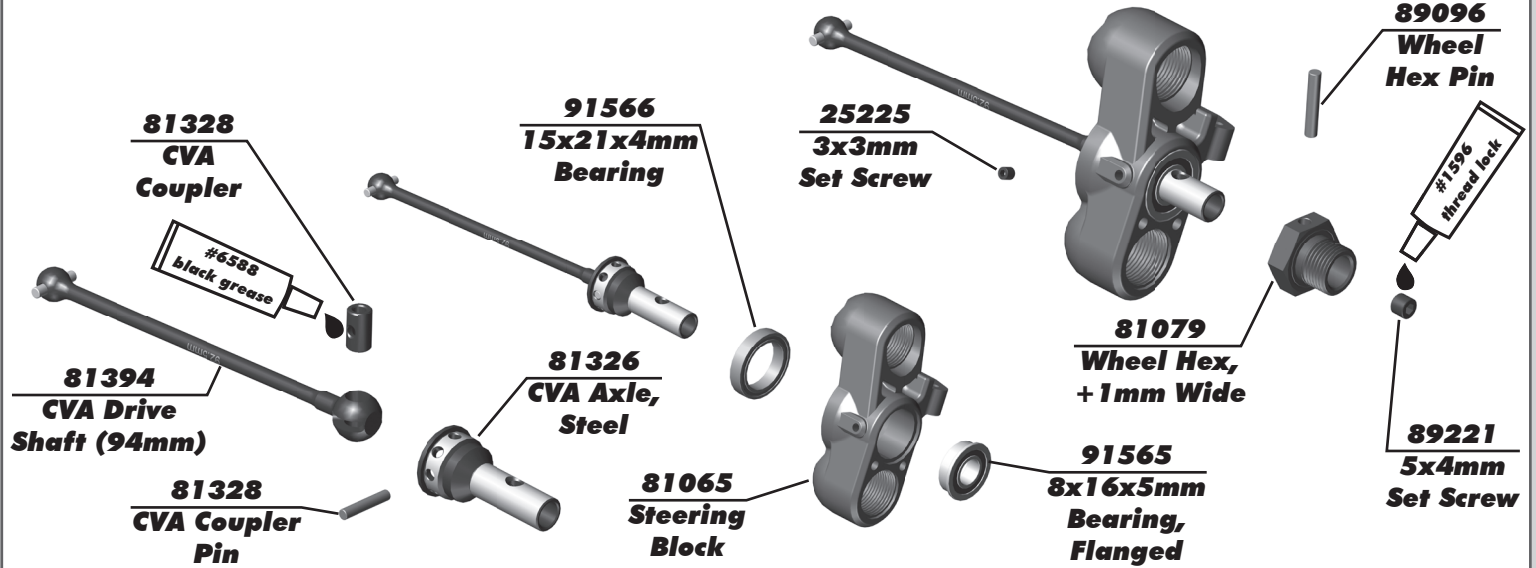
81055 Caster Clip, 0.9mm

81055 Front Upper Arms

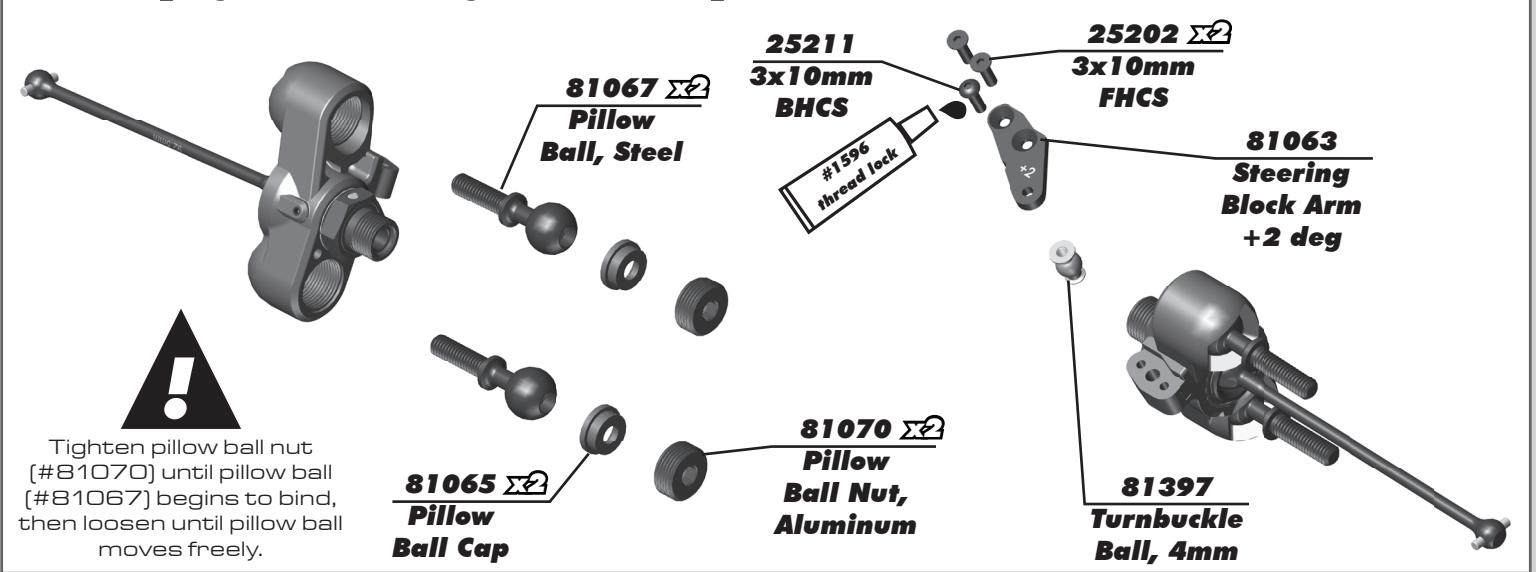
!

Note that each arm is marked with a R for the Right Arm or an L for the Left Arm.

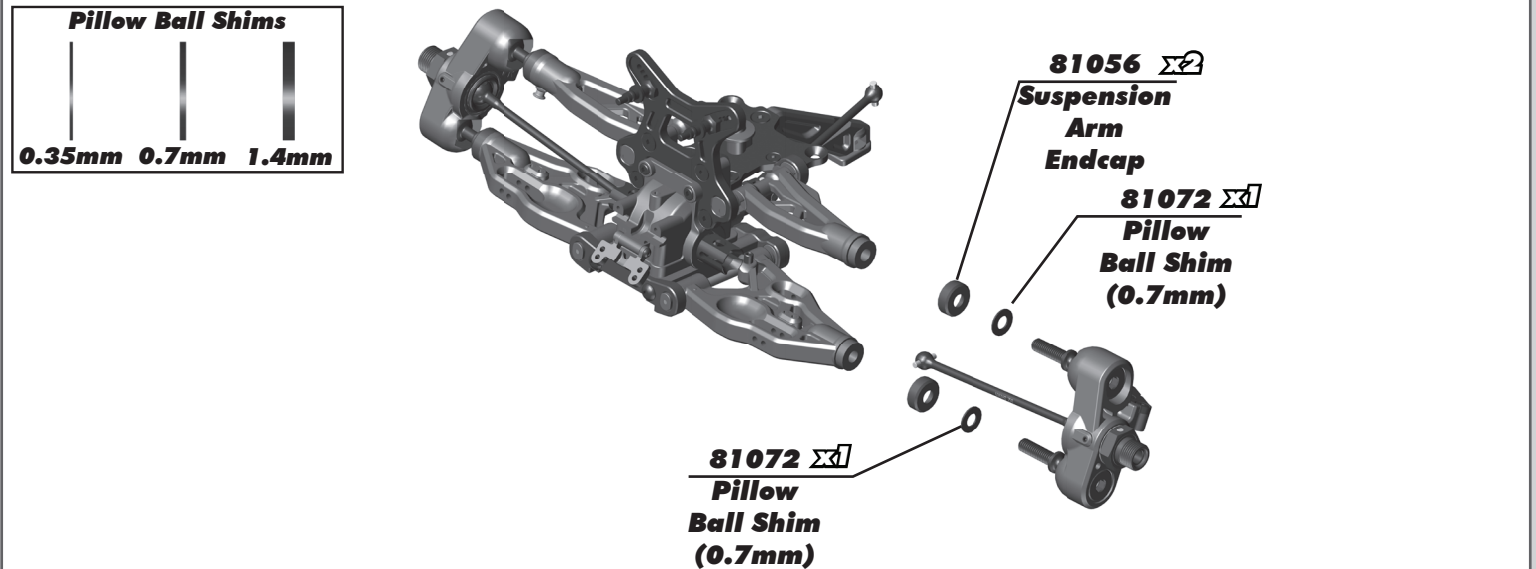
:: Front Uprights Build - Bag 4.1, 4.2 - Step 1



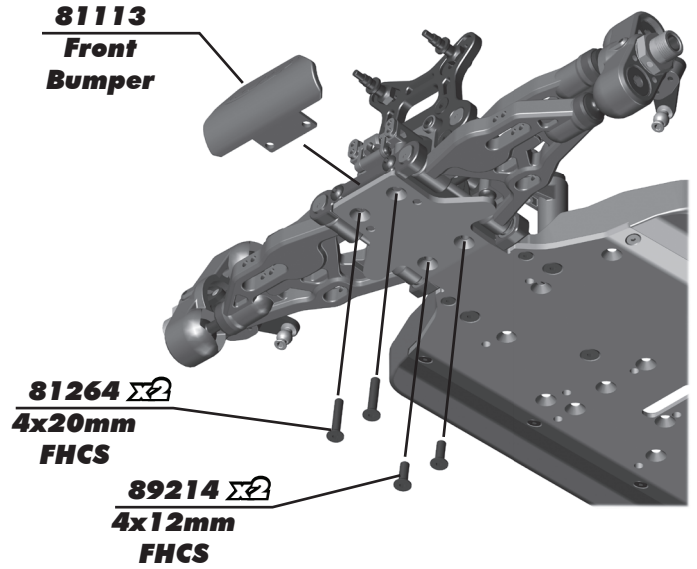
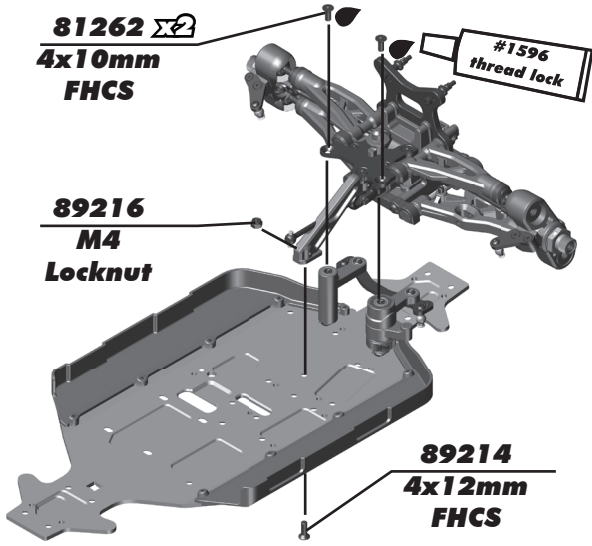
:: Front Uprights Build - Bag 4.1, 4.2 - Step 2



:: Front Uprights Build - Bag 4.1, 4.2 - Step 3



:: Front Uprights Build - Bag 4.1, 4.2 - Step 4



:: Rear Gearbox Build - Bag 5.1, 5.2 - Step 1



Racer's Tip:
Use black grease (#6588) to lube the Diff Pinion before installation!

81003 Diff Pinion Gear, 13T

81015 Gearbox, (Inboard)

81015 Dust Cap

4675 2.5x6mm FHCS

91561 Σ
6x12x4mm Bearing

81021 Center Universal, (106mm)

89221 5x4mm Set Screw

#1596 thread lock

:: Rear Gearbox Build - Bag 5.1, 5.2 - Step 2

NOTE:
Install the REAR Diff!

81381 Diff Shim 13.5x15.8x0.20mm



81015 Gearbox, (Outboard)

25620 Σ
3x10mm SHCS

81015 Anti-Roll Bar Cap

81259 2.5x18mm BHCS



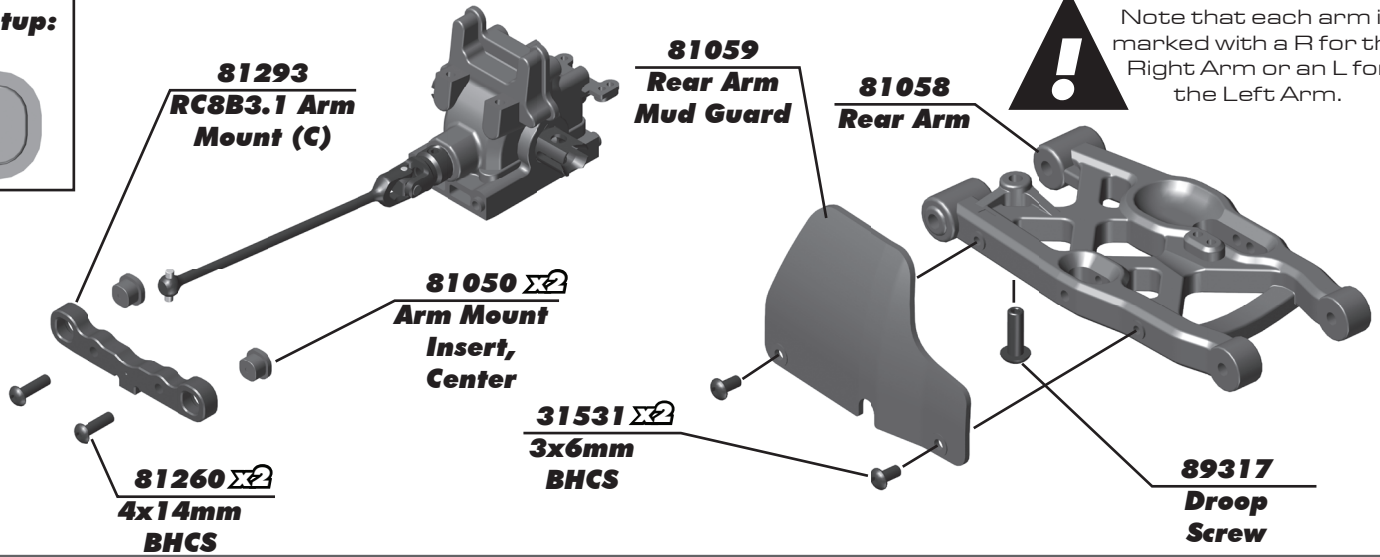
Step 1:
Add shims on this side to TIGHTEN gear mesh. Subtract shims on this side to LOOSEN gear mesh.

Step 2:
Add or subtract shims here to finalize diff side to side play once gear mesh is set from Step 1. Recommended diff side to side clearance (gearbox assembly) 0.10 - 0.25mm.

Notes:
0.1mm shim can be used for fine tuning of gear mesh.

:: Rear Gearbox Build - Bag 5.1, 5.2 - Step 3

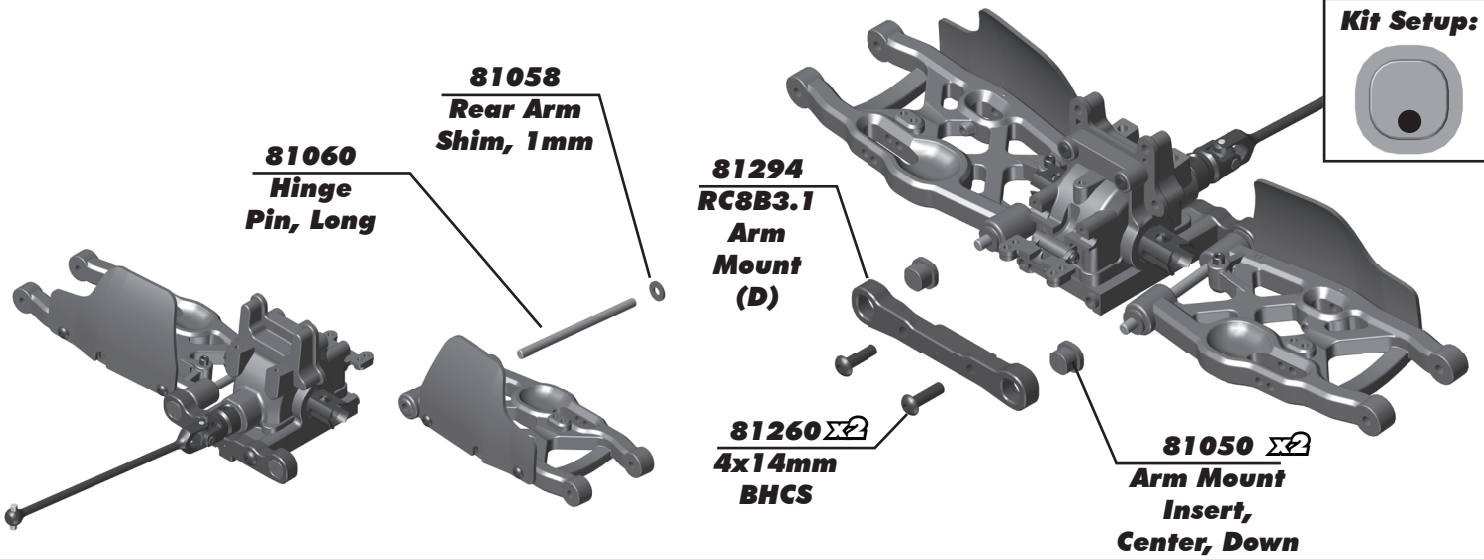
Kit Setup:



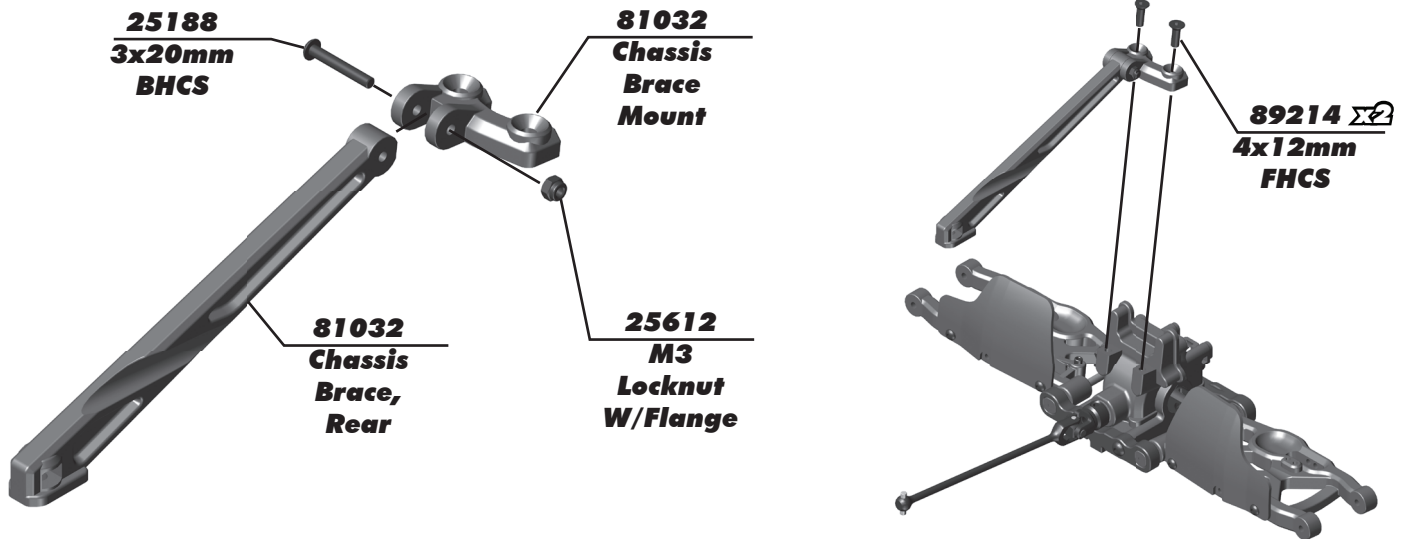
Note that each arm is marked with a R for the Right Arm or an L for the Left Arm.

:: Rear Gearbox Build - Bag 5.1, 5.2 - Step 4

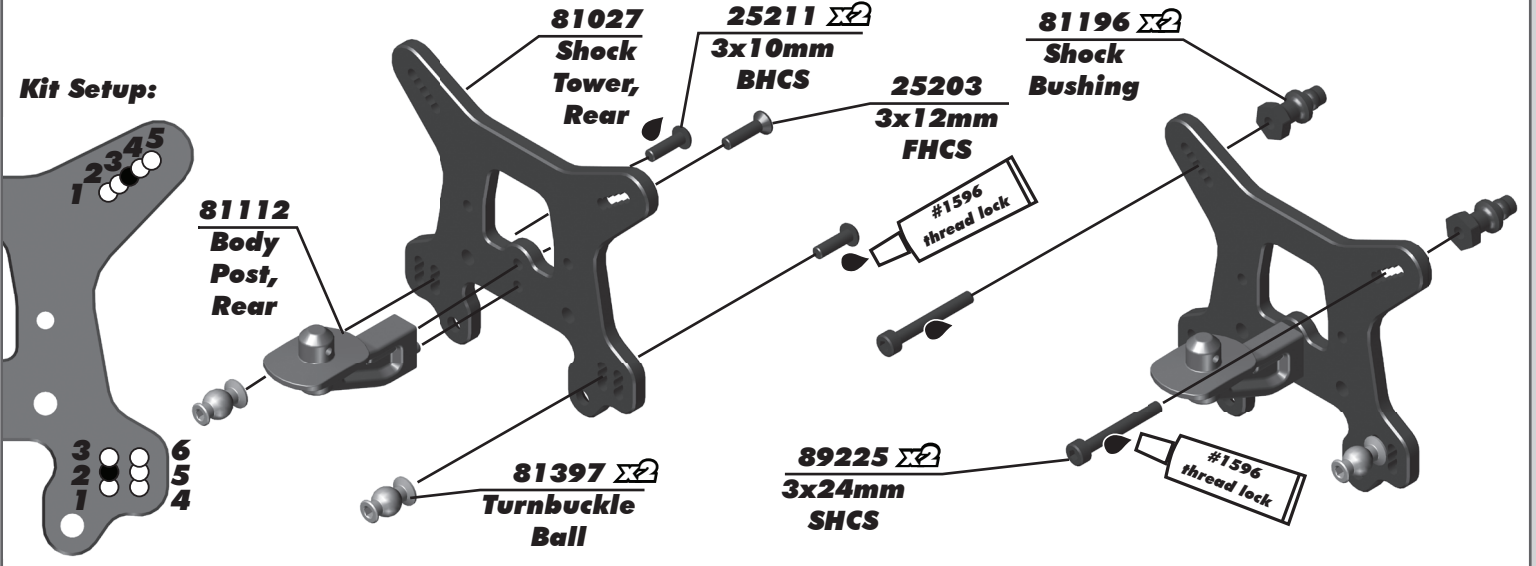
Kit Setup:



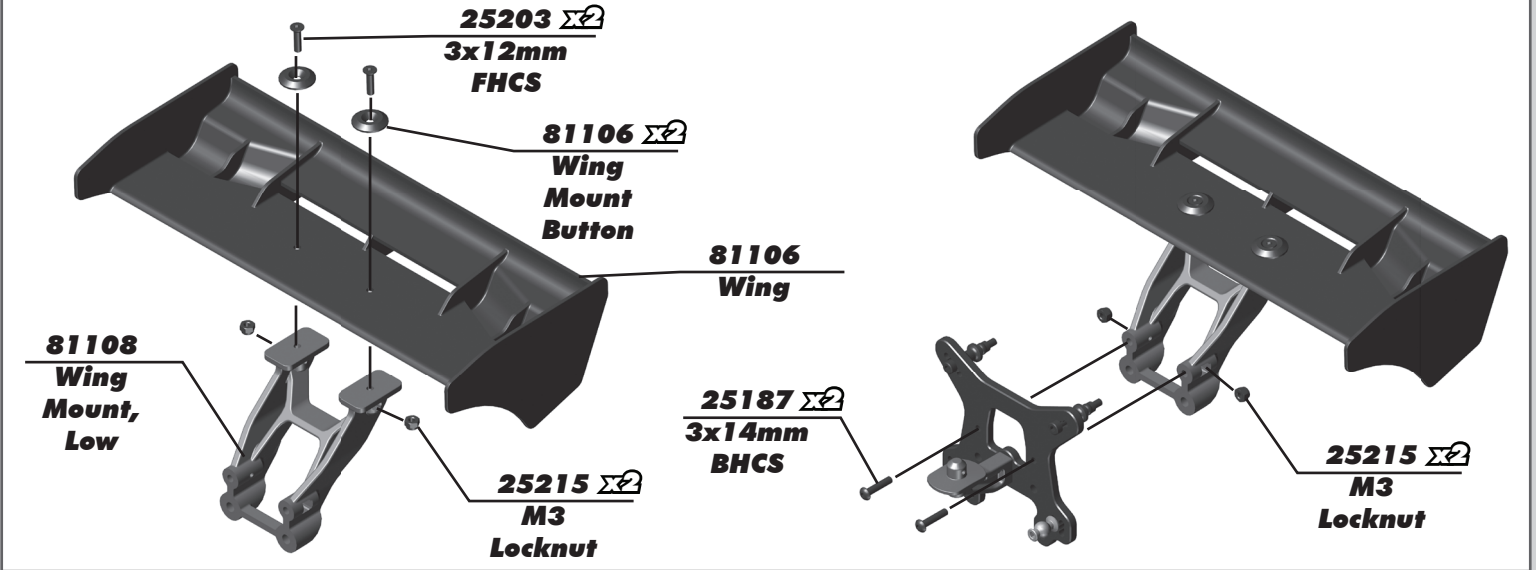
:: Rear Gearbox Build - Bag 5.1, 5.2 - Step 5



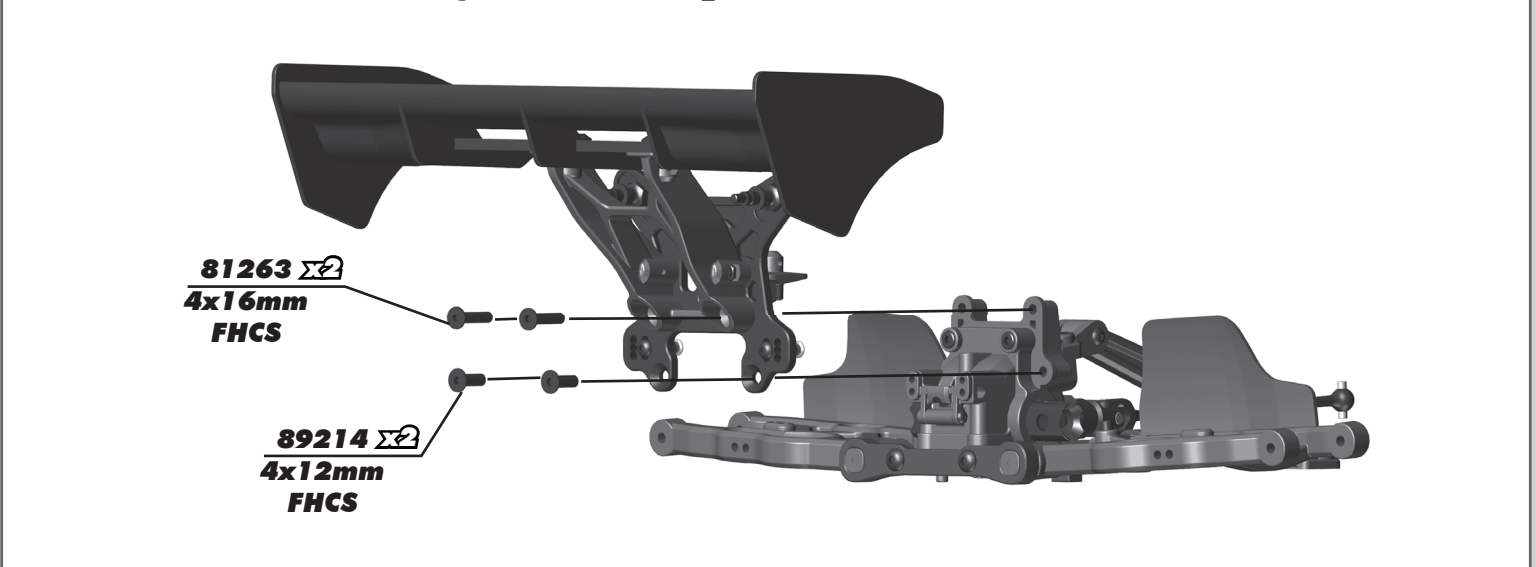
:: Rear Gearbox Build - Bag 5.1, 5.2 - Step 6



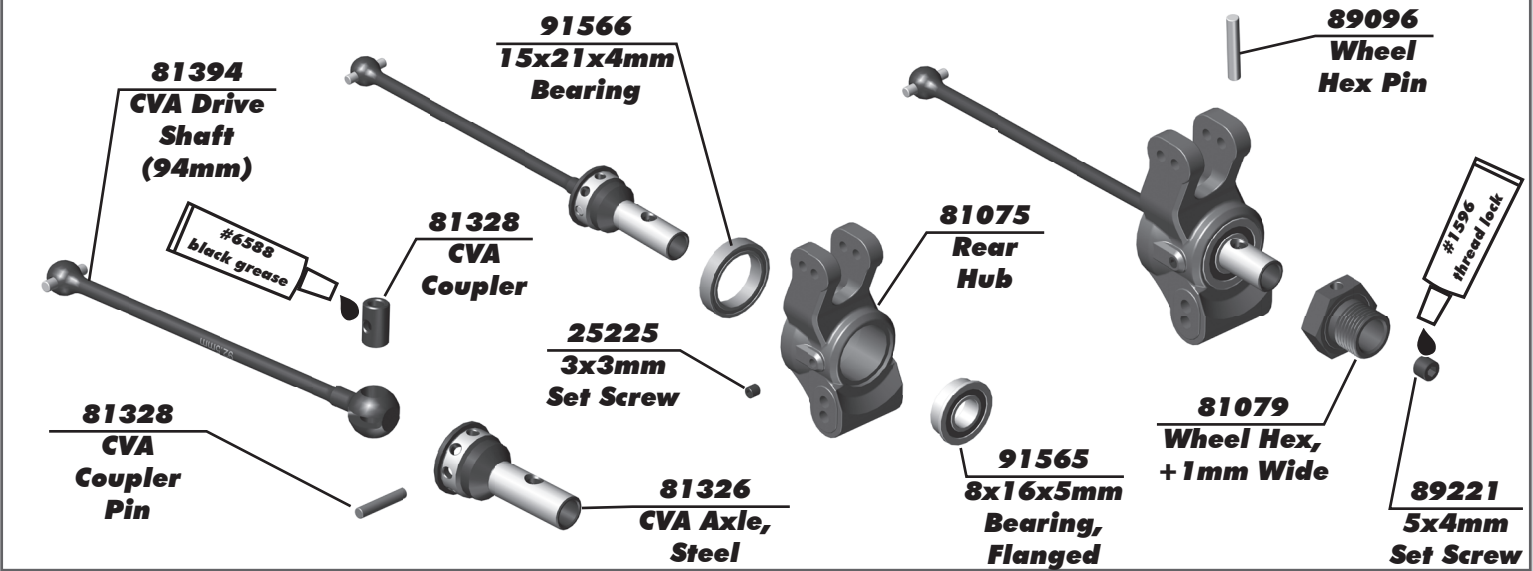
:: Rear Gearbox Build - Bag 5.1, 5.2 - Step 7



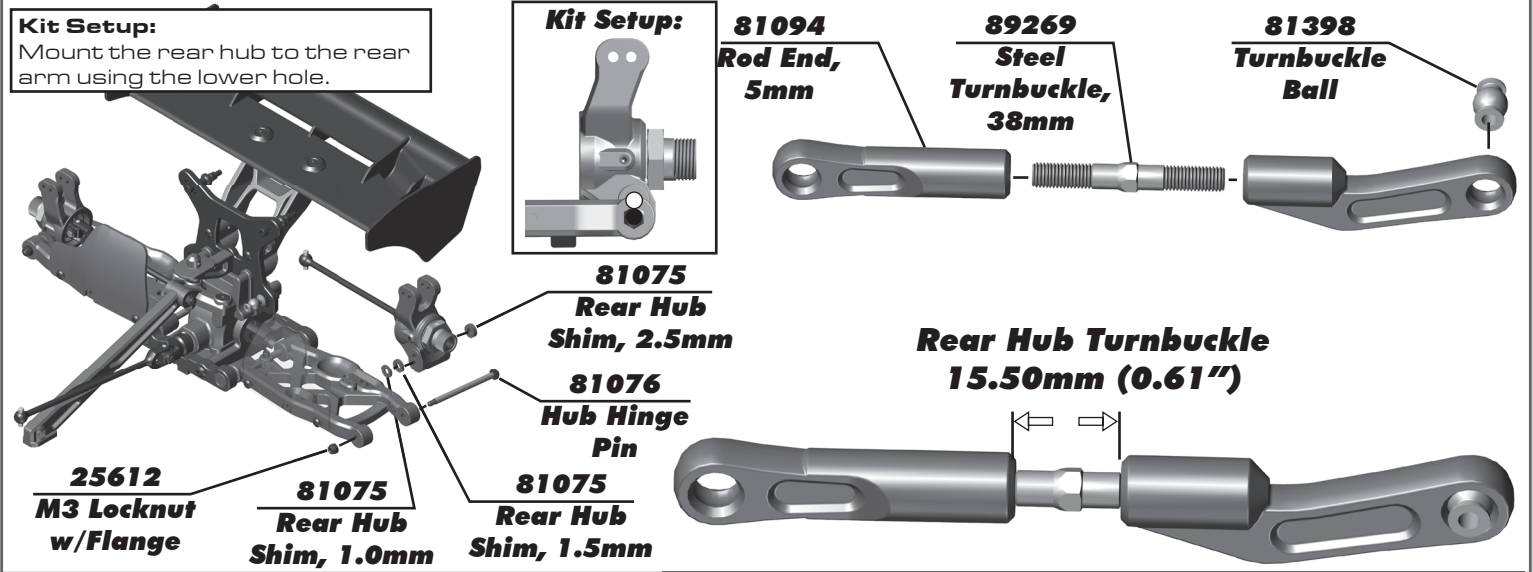
:: Rear Gearbox Build - Bag 5.1, 5.2 - Step 8



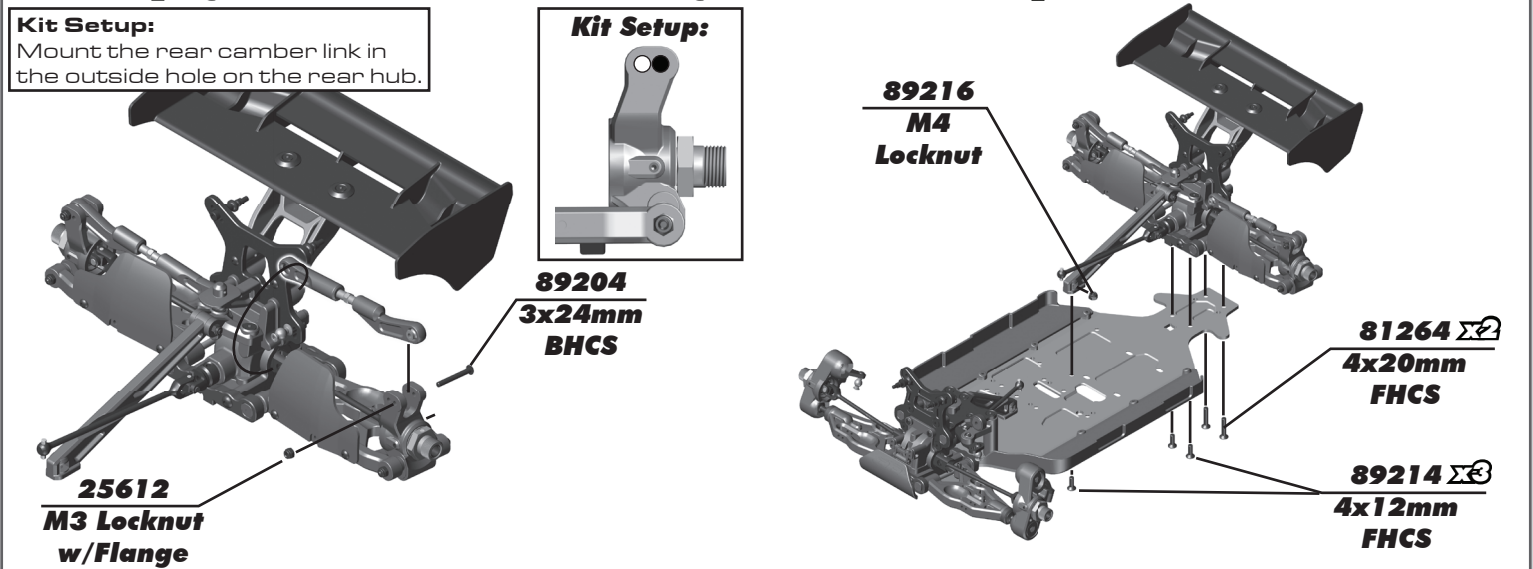
:: Rear Uprights / Turnbuckles Build - Bag 6.1, 5.2 cont. - Step 1



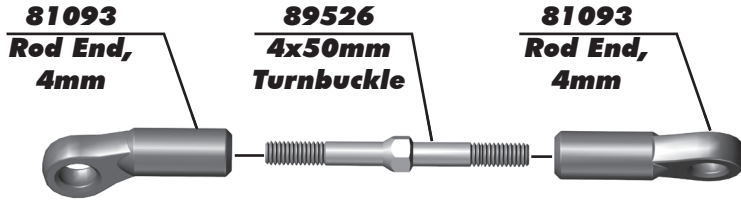
:: Rear Uprights / Turnbuckles Build - Bag 6.1, 5.2 cont. - Step 2



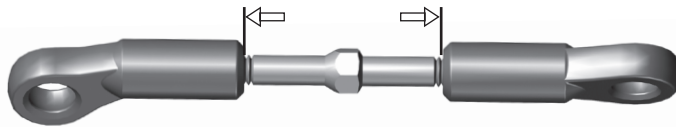
:: Rear Uprights / Turnbuckles Build - Bag 6.1, 5.2 cont. - Step 3



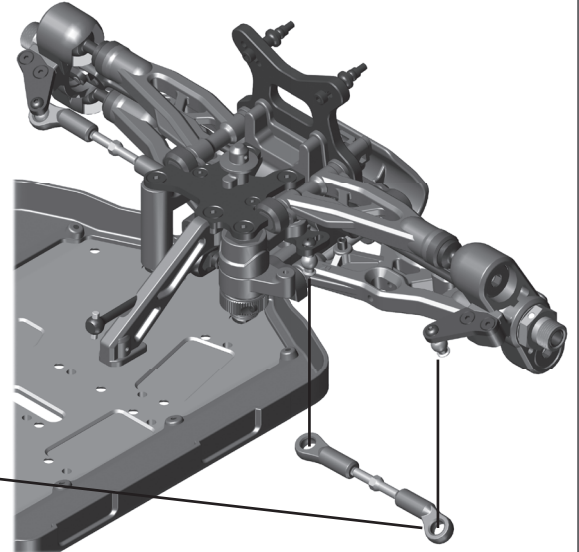
:: Rear Uprights / Turnbuckles Build - Bag 6.1, 5.2 cont. - Step 4



**Steering Turnbuckle
24.90mm (0.98")**



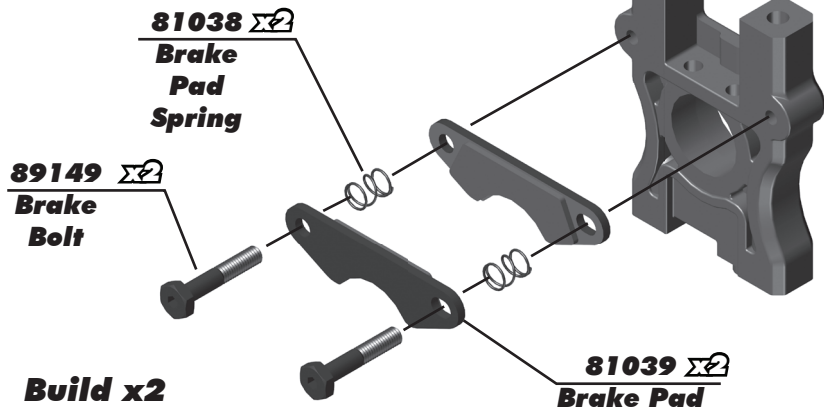
Note direction



:: Center Bulkhead / Brakes Build - Bag 7.1, 7.2 - Step 1



Align slotted holes on the same side when installing brake pads.



Build x2

**81039 $\Sigma 2$
Brake Pad**

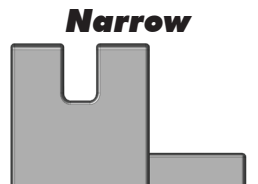
**81036
Center
Bulkhead**

**81037
Brake
Rotor**

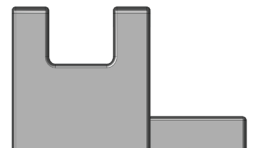
**31448
2.5x8mm
FHCS**

Build x2

**81036
Rotor
Guide,
Narrow**



Narrow

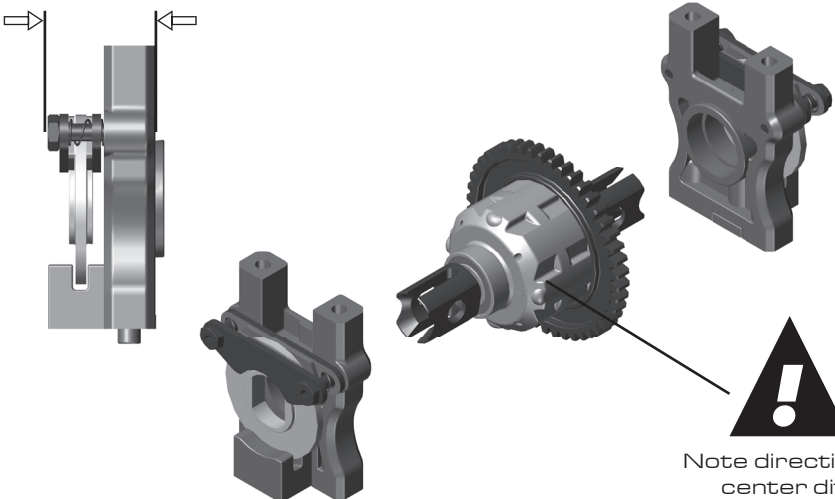


Wide

Wide Rotor Guide used for optional brake rotors.

:: Center Bulkhead / Brakes Build - Bag 7.1, 7.2 - Step 2

18.40mm (0.72")

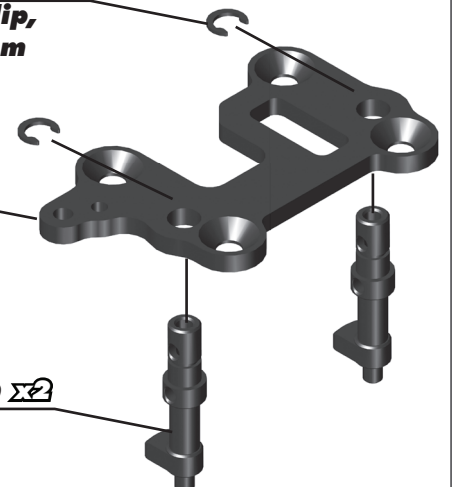


Note direction of center diff.

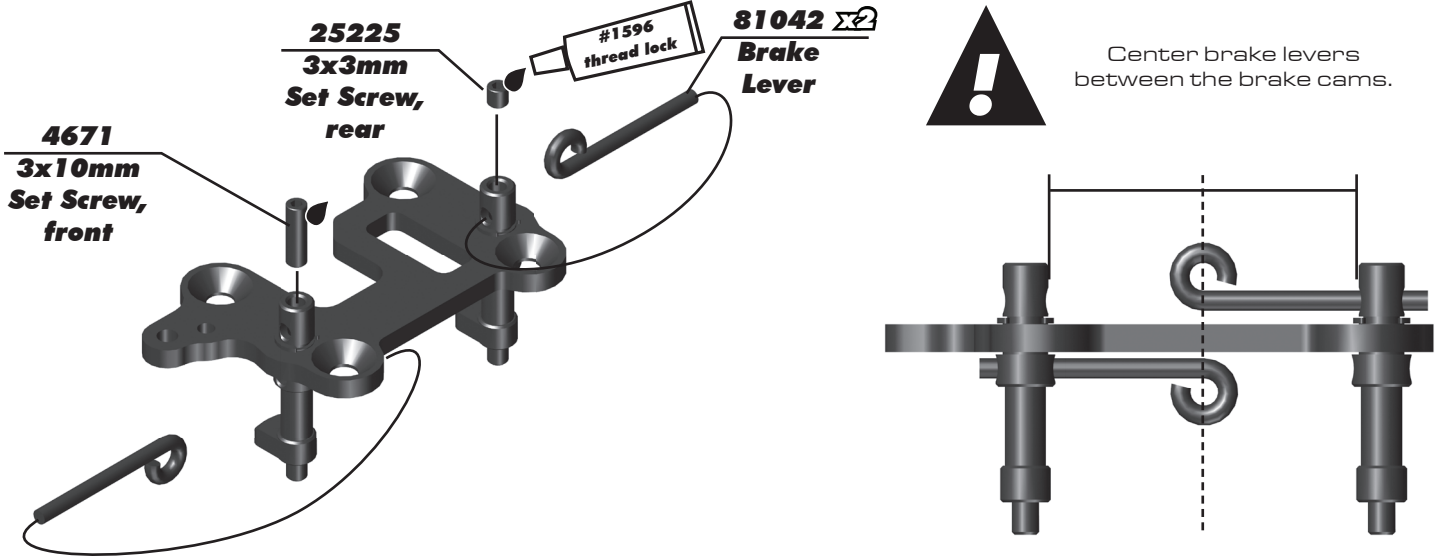
**81256 $\Sigma 2$
C-Clip,
5mm**

**81043
Center
Top Plate**

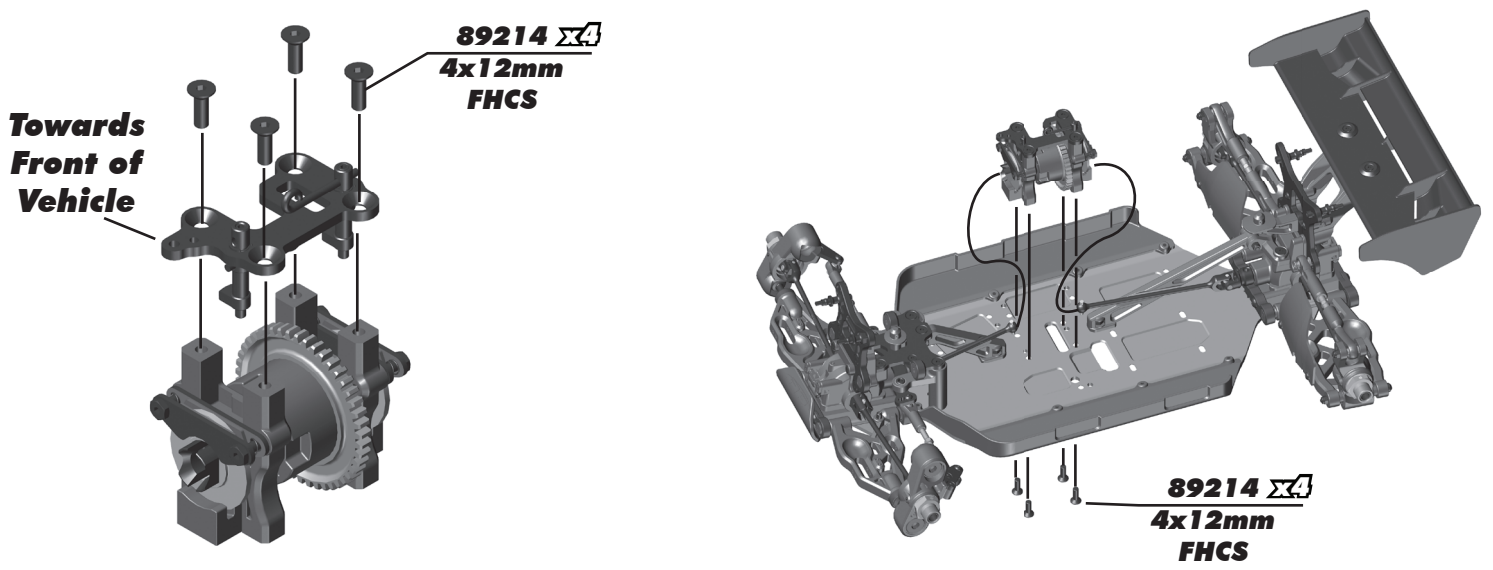
**81040 $\Sigma 2$
Brake
Cam**



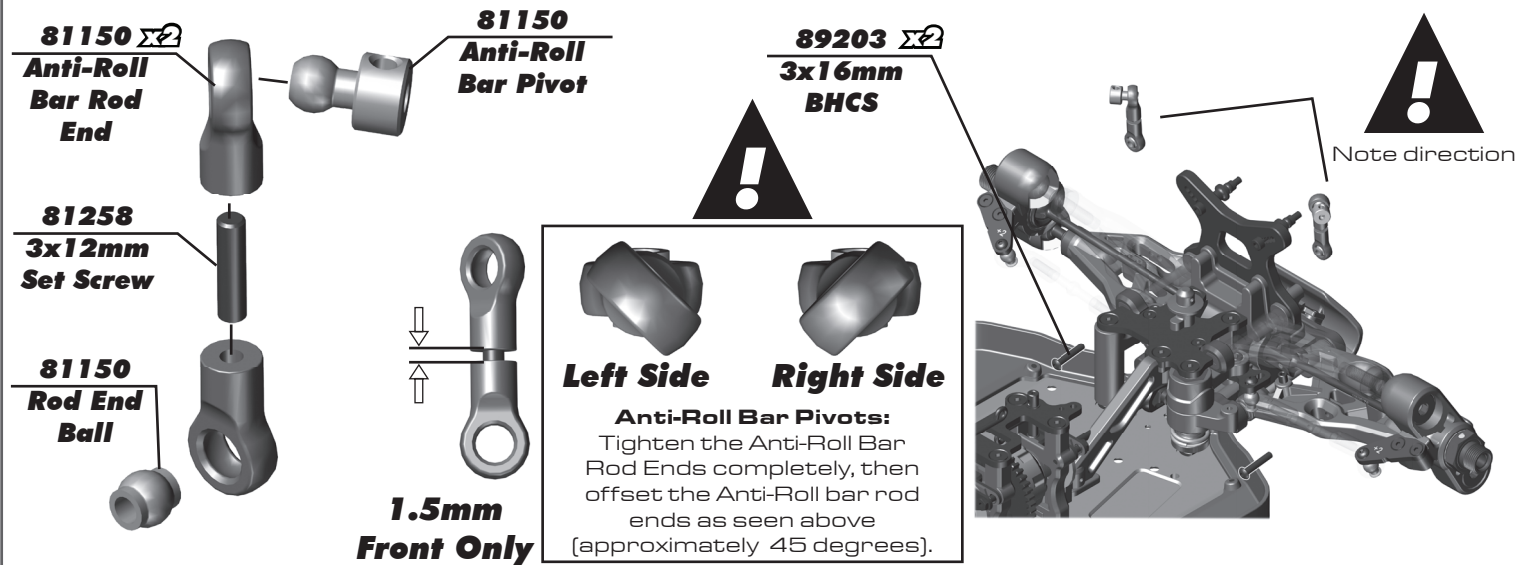
:: Center Bulkhead / Brakes Build - Bag 7.1, 7.2 - Step 3



:: Center Bulkhead / Brakes Build - Bag 7.1, 7.2 - Step 4



:: Anti-Roll Bars Build - Bag 8.1 - Step 1



:: Anti-Roll Bars Build - Bag 8.1 - Step 2

!
Center the Anti-Roll Bar Collet on the Anti-Roll Bar, then tighten the (#25225) 3x3mm set screw.

!
Front Anti-Roll Bar Gap: 2.3mm

81130
(Front) Anti-Roll Bar, Black 2.3mm

81140
(Rear) Anti-Roll Bar, Gray 2.7mm

81150
Anti-Roll Bar Collet

25225
3x3mm Set Screw

#1596 thread lock

Build front and rear Anti-Roll Bars

:: Anti-Roll Bars Build - Bag 8.1 - Step 3

25225 x2
3x3mm Set Screw

31521 x2
2.5x8mm BHCS

81257 x2
3x6mm Set Screw

89203 x2
3x16mm BHCS

#1596 thread lock

!
Tighten #81257 set screws just enough to still allow the anti-roll bar to move freely.

!
Rear Hub Turnbuckles removed for view clarity.

:: Anti-Roll Bars Build - Bag 8.1 - Step 4

25225 x2
3x3mm Set Screw

31521 x2
2.5x8mm BHCS

81257 x2
3x6mm Set Screw

#1596 thread lock

!
Rear Hub Turnbuckles removed for view clarity.

!
Tighten #81257 set screws just enough to still allow the anti-roll bar to move freely.

:: Shocks Build - Bag 9.1, 9.2 - Step 1

81200 Shock Piston (8x1.2 tapered)

89215 Shock Piston Locknut

89278 Σ 2.5x5mm Washer

81170 Shock Shaft, 30.5mm (Front)

81171 Shock Shaft, 39.5mm (Rear)

81185 Shock Body O-Ring

81185 O-Ring Hat Bushing

81188 Shock Body Seal Retainer

81160 Shock Body, 30.5mm (Front)

81161 Shock Body, 39.5mm (Rear)

81186 Σ 2 Shock O-Ring

81185 O-Ring Spacer

81190 Shock Boots

81193 Shock Rod End and Ball

Racer's Tip: Use shock fluid or green slime (#1105) to lube the O-Rings before installation!

:: Shocks Build - Bag 9.1, 9.2 - Step 2

81181 Shock Cap Insert

81179 Bleeder Cap

81184 Seal, Bleeder Cap

Front Shock Fluid: 37.5wt #5433

Rear Shock Fluid: 32.5wt #5432

!
When installing the shock cap seal, make sure it is correctly seated within the shock cap as shown.

:: Shocks Build - Bag 9.1, 9.2 - Step 3

!
Secure cap to body but do not over tighten!

!
Compress shock shaft fully. Let shock fluid bleed from the bleeder hole.

91492 2x4mm BHCS

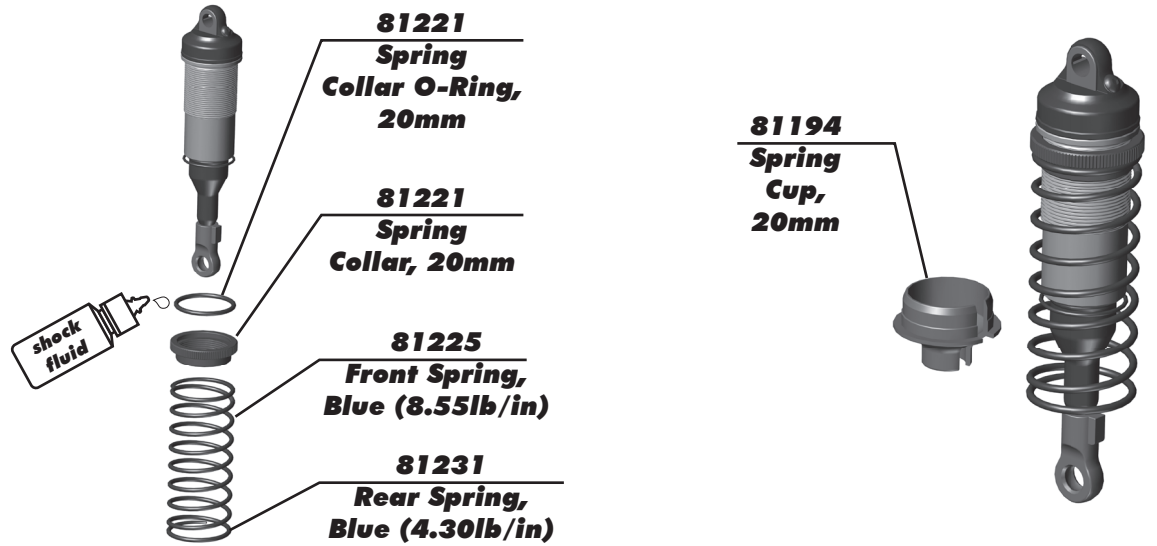
91492 Gasket

!
Some residual shock fluid may appear from your first few runs around the shock cap as a result of bleeding.

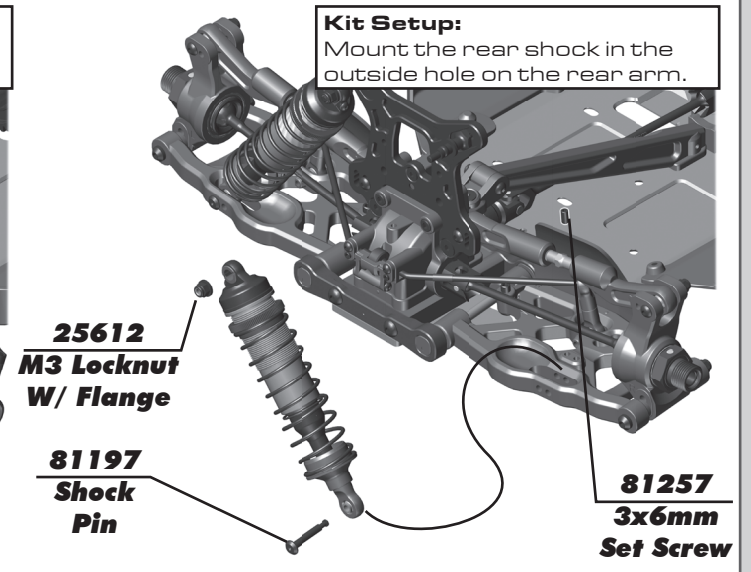
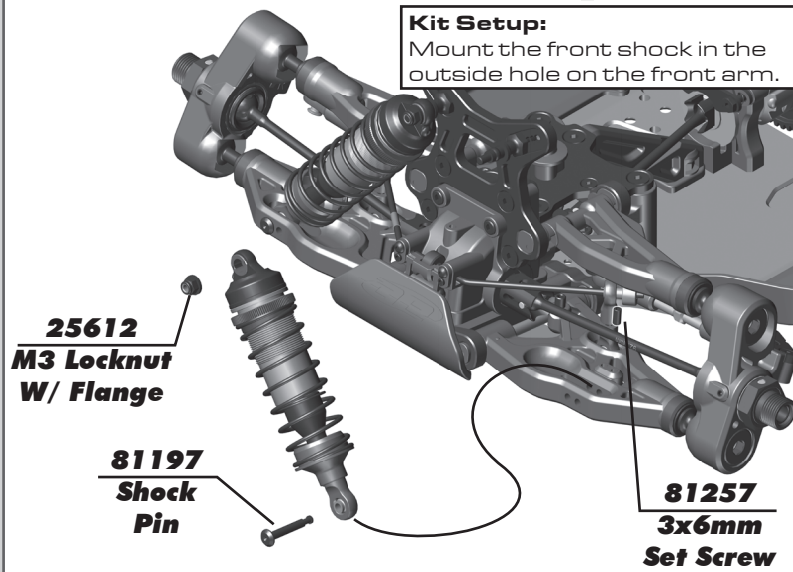
:: Shocks Build - Bag 9.1, 9.2 - Step 4



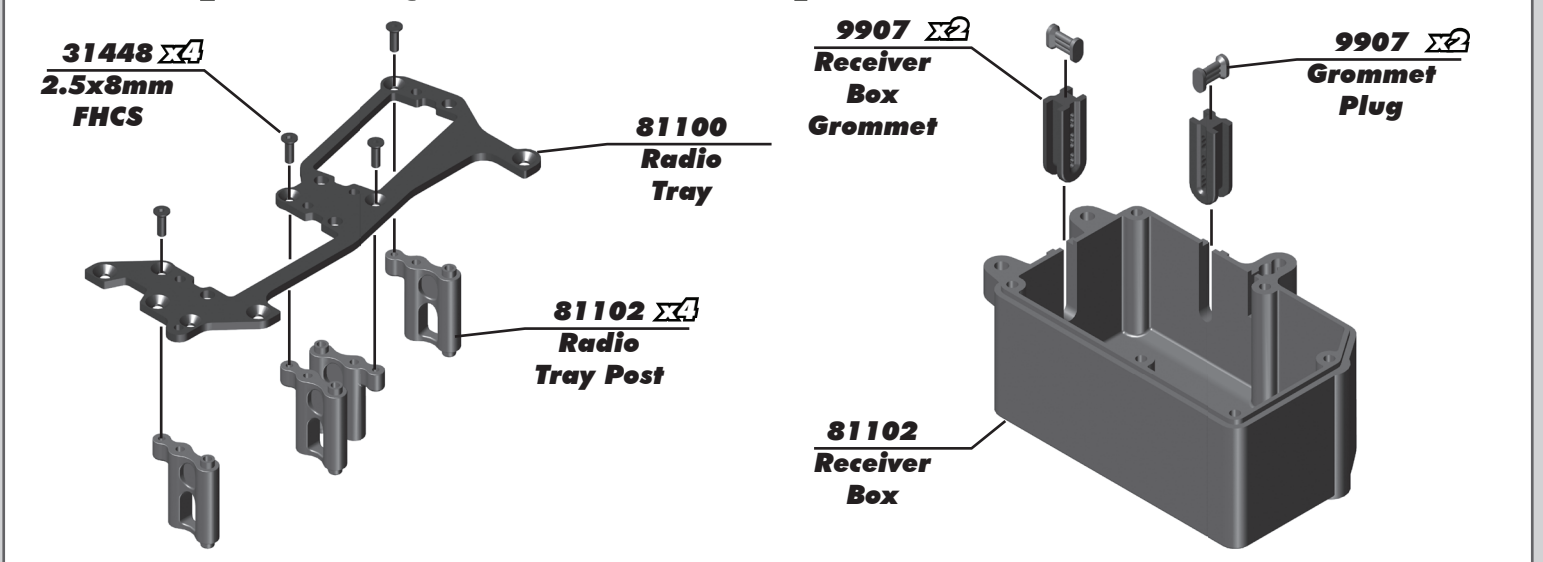
The shock springs come with colored heat shrink tubing. Install them on the springs for easy identification.



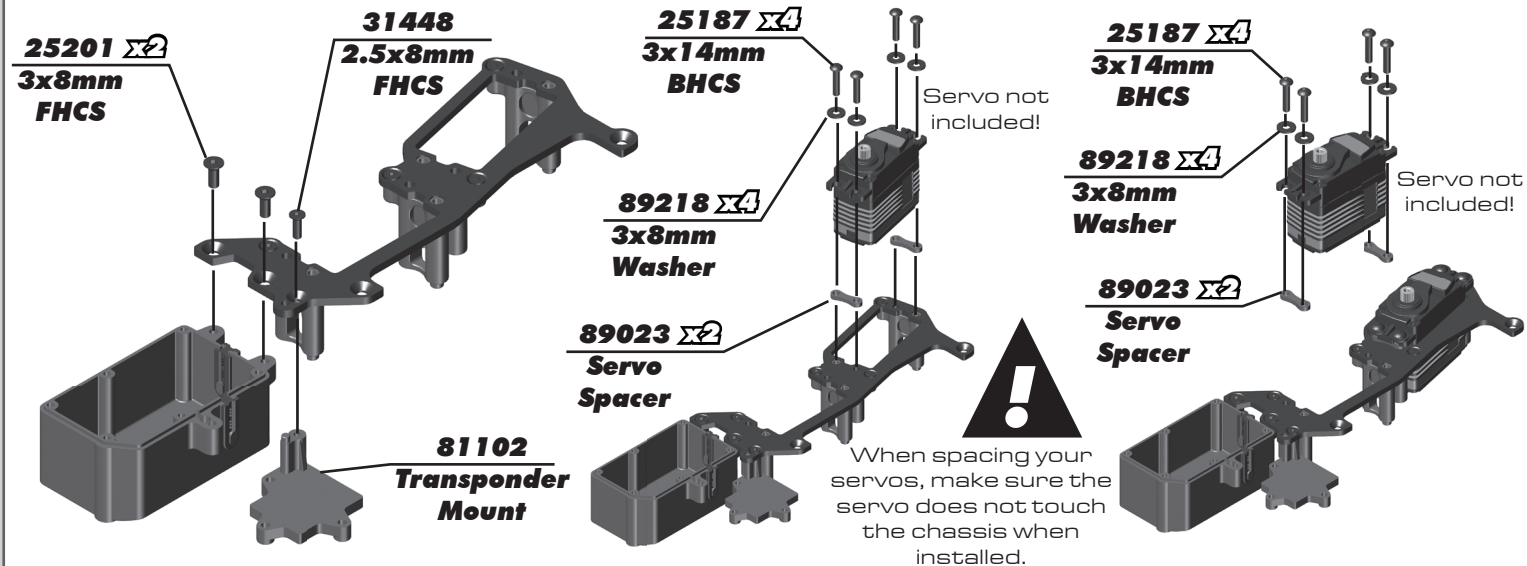
:: Shocks Build - Bag 9.1, 9.2 - Step 5



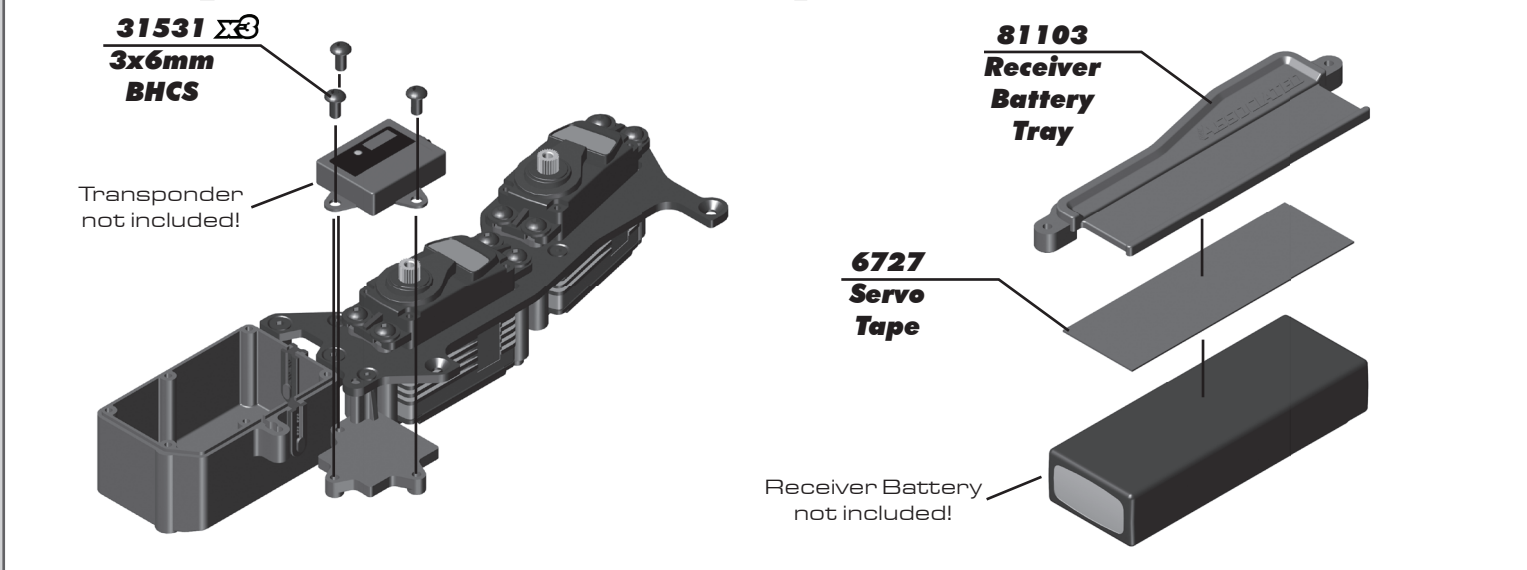
:: Radio Tray Build - Bag 10.1, 10.2, 10.3 - Step 1



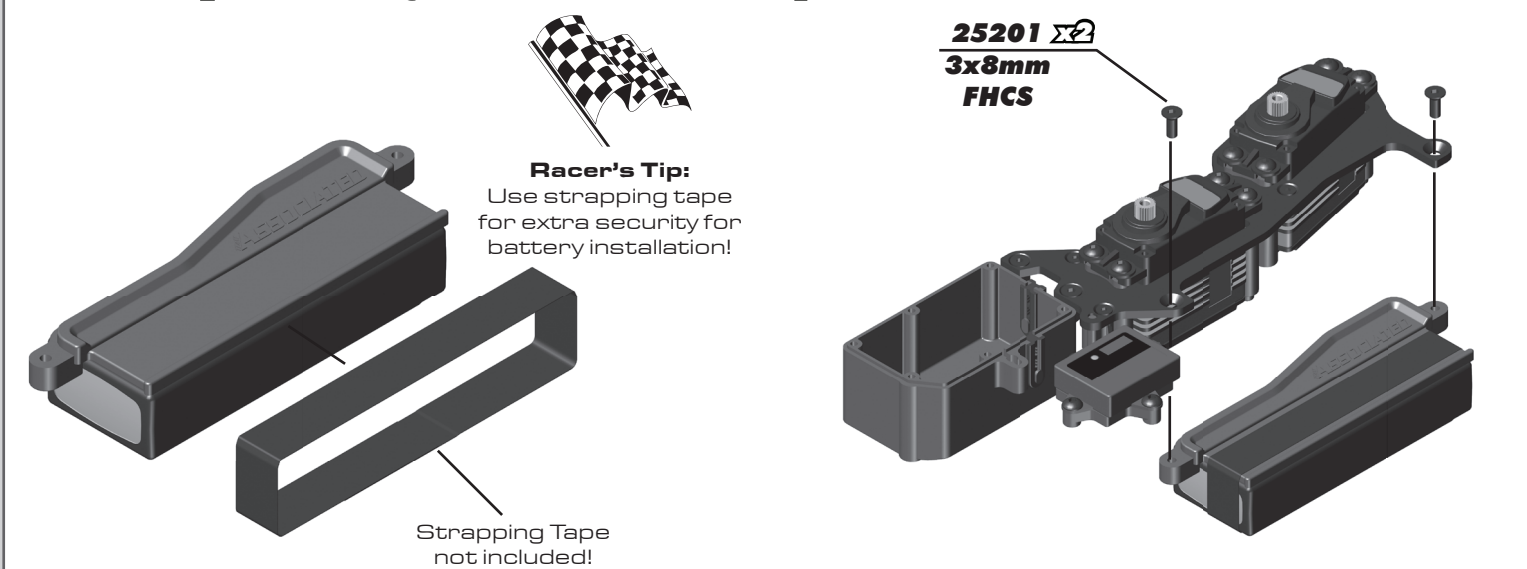
:: Radio Tray Build - Bag 10.1, 10.2, 10.3 - Step 2



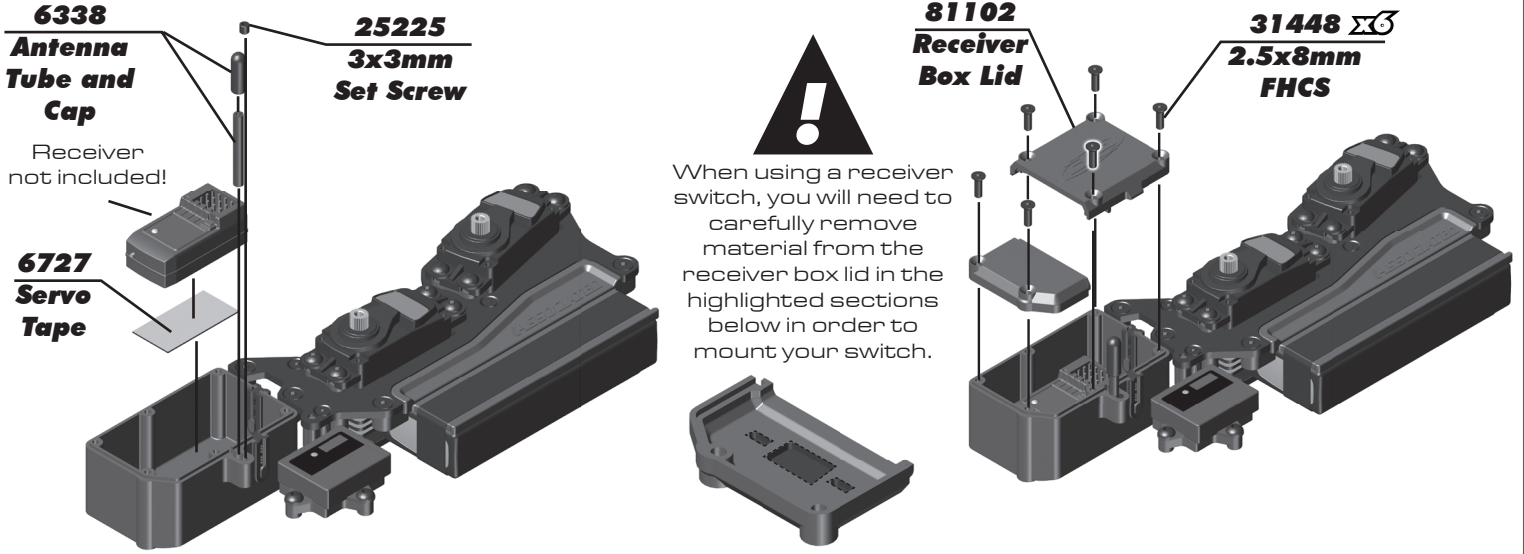
:: Radio Tray Build - Bag 10.1, 10.2, 10.3 - Step 3



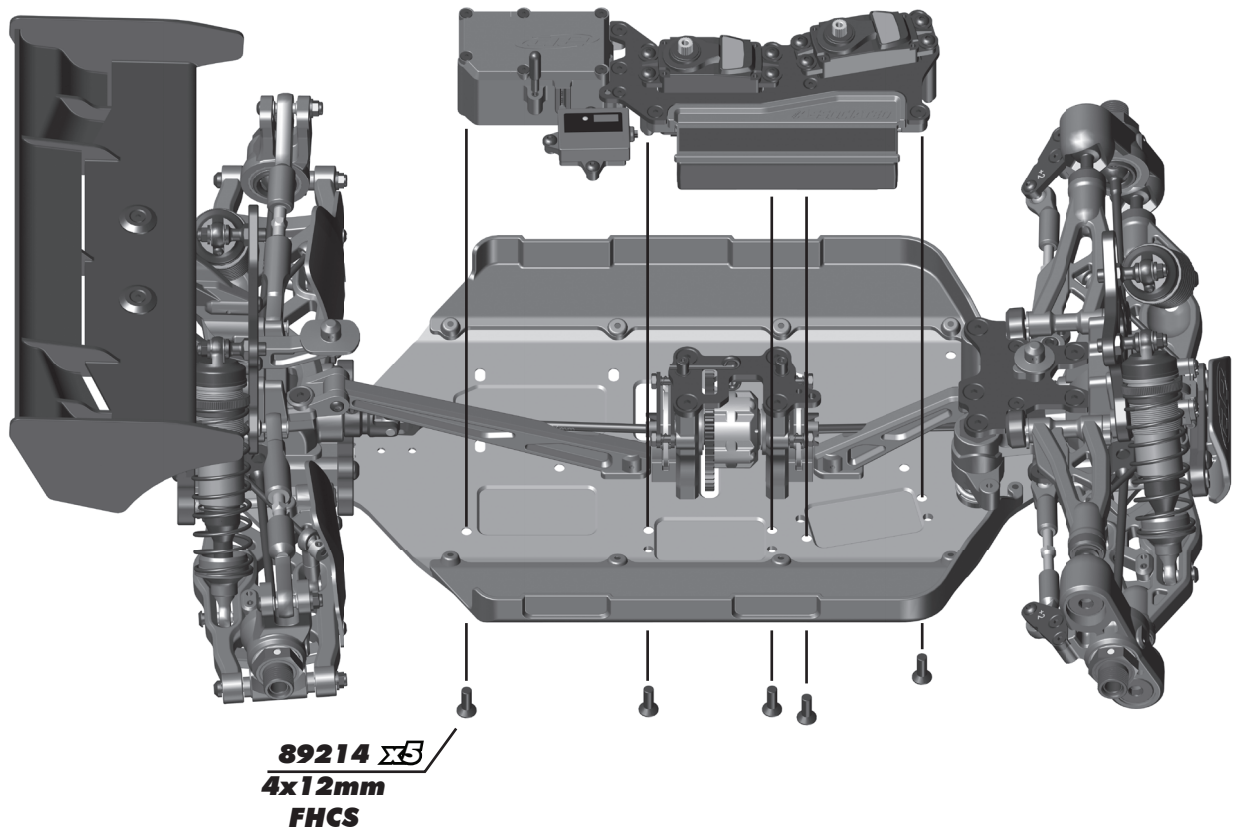
:: Radio Tray Build - Bag 10.1, 10.2, 10.3 - Step 4



:: Radio Tray Build - Bag 10.1, 10.2, 10.3 - Step 5



:: Radio Tray Build - Bag 10.1, 10.2, 10.3 - Step 6



:: Servo Horns / Linkage Build - Bag 11.1, 11.2 - Step 1

91048
HD Ball Stud, 8mm

1401
33mm Turnbuckle

91453 $\Sigma 2$
HD Ball Cup

81250
Servo Horn (Steering) and Cone Washer

25215
M3 Locknut

91050
HD Ball Stud, 12mm

81250
Servo Horn Insert

81250
Servo Horn Large Ring

4617
2mm Shim

Steering Servo Turnbuckle
11.50mm (0.45")

Printed here
A - Airtronics
F - Futaba
H - Hitec
J - JR/KO

:: Servo Horns / Linkage Build - Bag 11.1, 11.2 - Step 2

25201
3x8mm FHCS

4617
Shim, 2mm

7184
2x16mm SHCS

81251 $\Sigma 3$
Servo Horn Pivot

81251
Cone Washer

81251
2x10mm SHCS

81251 $\Sigma 3$
Washer

81251
Pivot Bushing, Brake

81251
Servo Horn, Throttle

81251
Servo Horn, Large Ring

81251
Pivot Bushing, Throttle

81251
Servo Horn Insert

Racer's Tip:
Center servo before horn installation!

Printed here
A - Airtronics
F - Futaba
H - Hitec
J - JR/KO

:: Servo Horns / Linkage Build - Bag 11.1, 11.2 - Step 3

#1596
thread lock

81251
Throttle Spring

81251
Set Collar

81251
Throttle Ball Cup

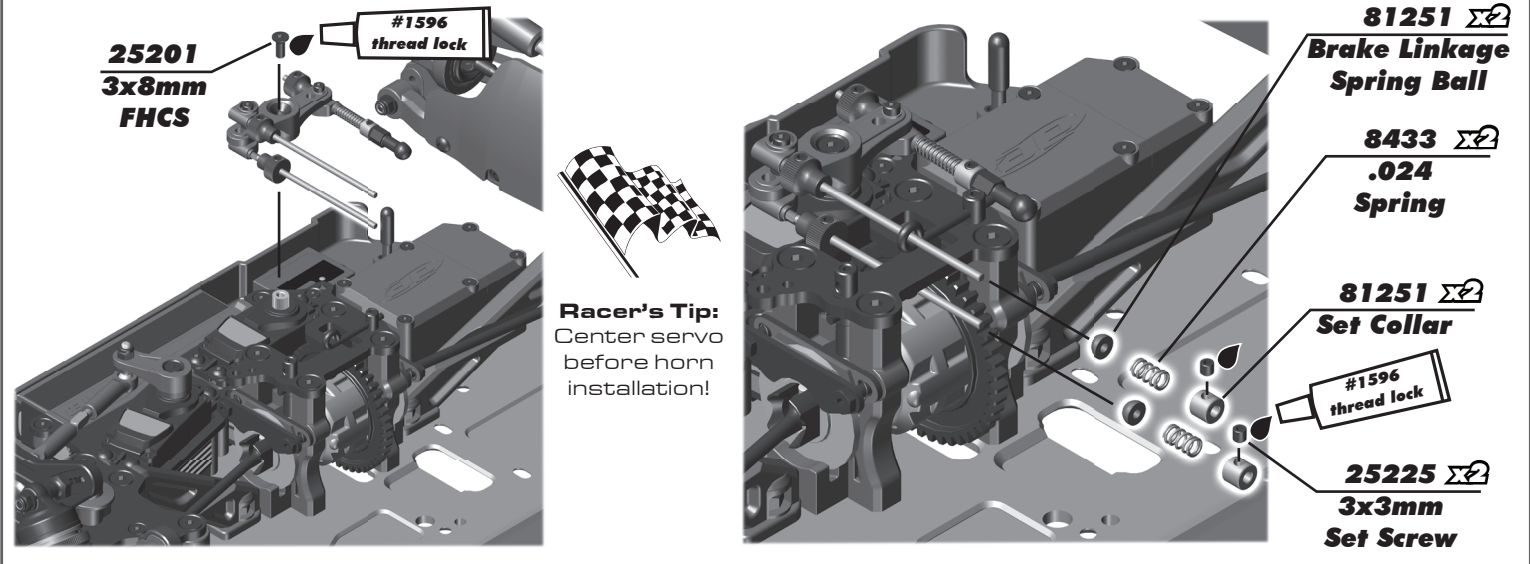
25225 $\Sigma 4$
3x3mm Set Screw

81251 $\Sigma 3$
Brake Link

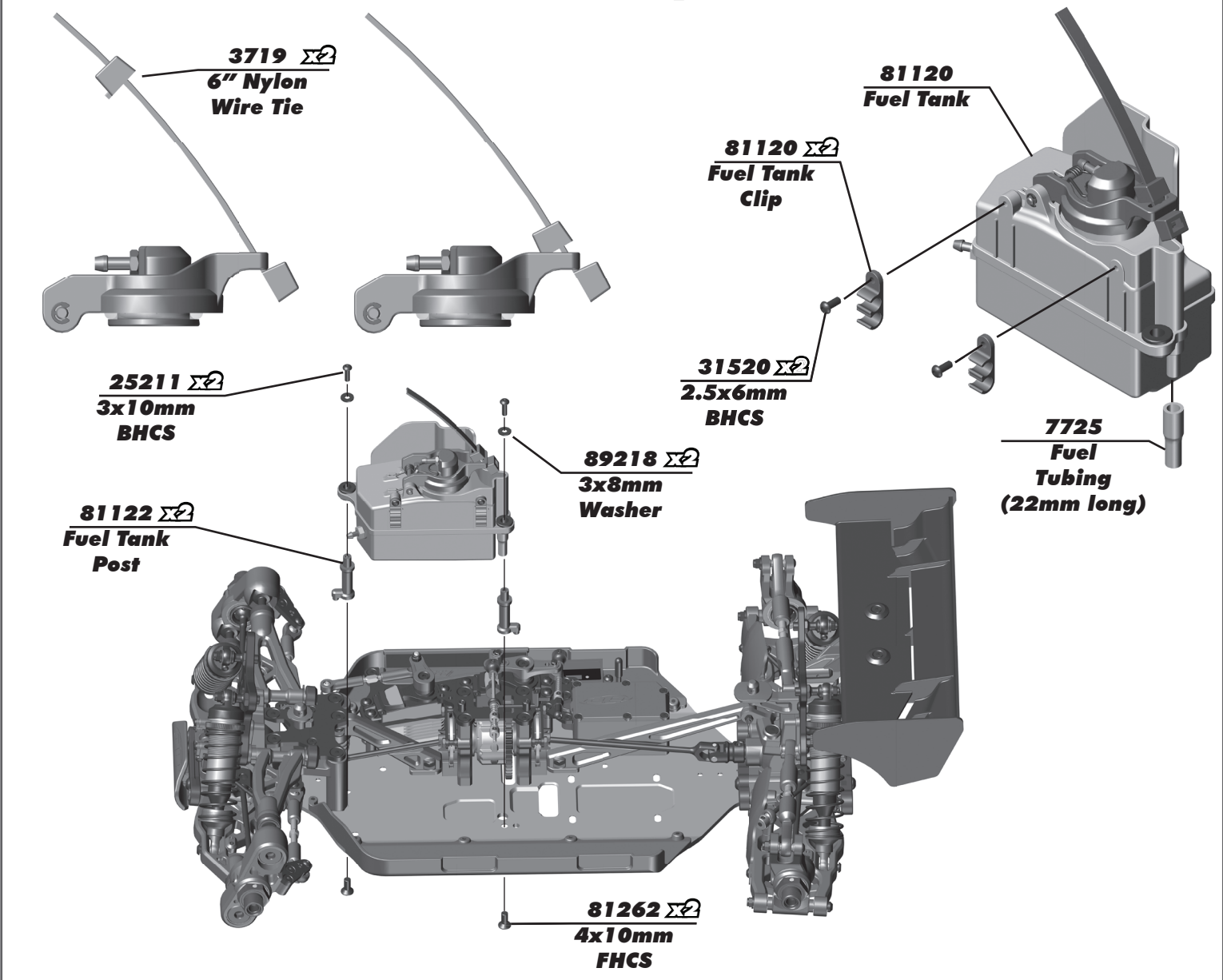
81251 $\Sigma 3$
Brake Bias Collar

Install Brake Links so they are flush with the back of the servo horn pivots.

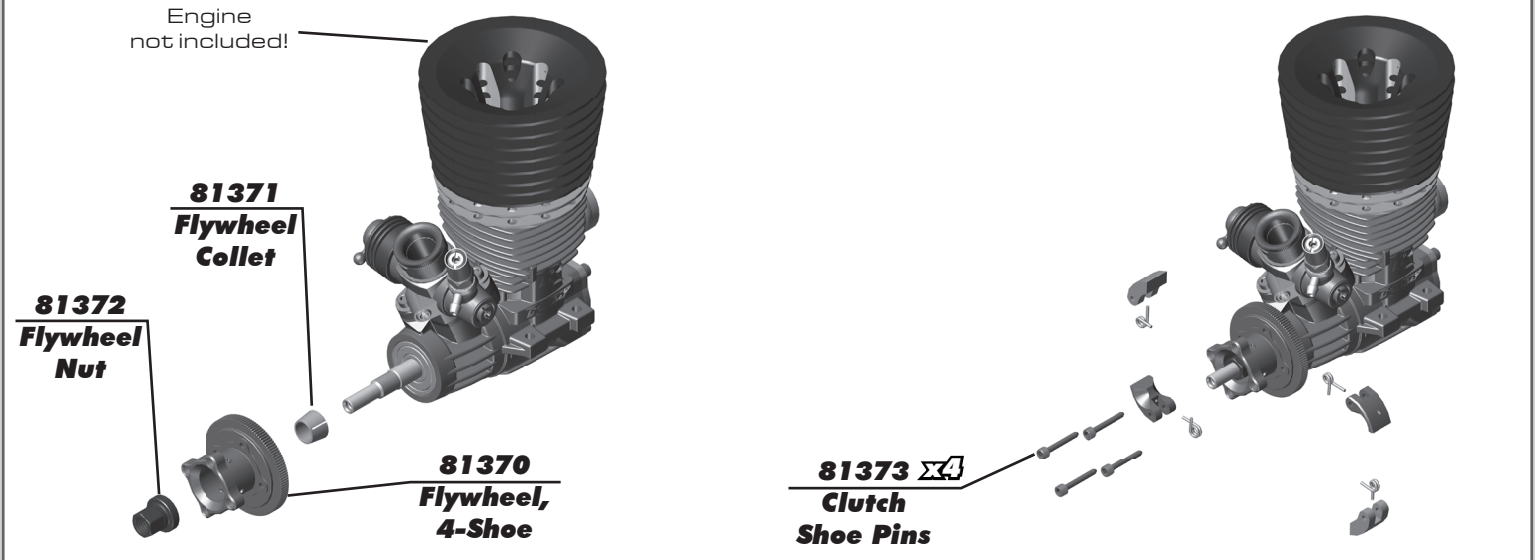
:: Servo Horns / Linkage Build - Bag 11.1, 11.2 - Step 4



:: Engine / Tank Build - Bag 12.1, 12.2, 12.3 - Step 1



:: Engine / Tank Build - Bag 12.1, 12.2, 12.3 - Step 2

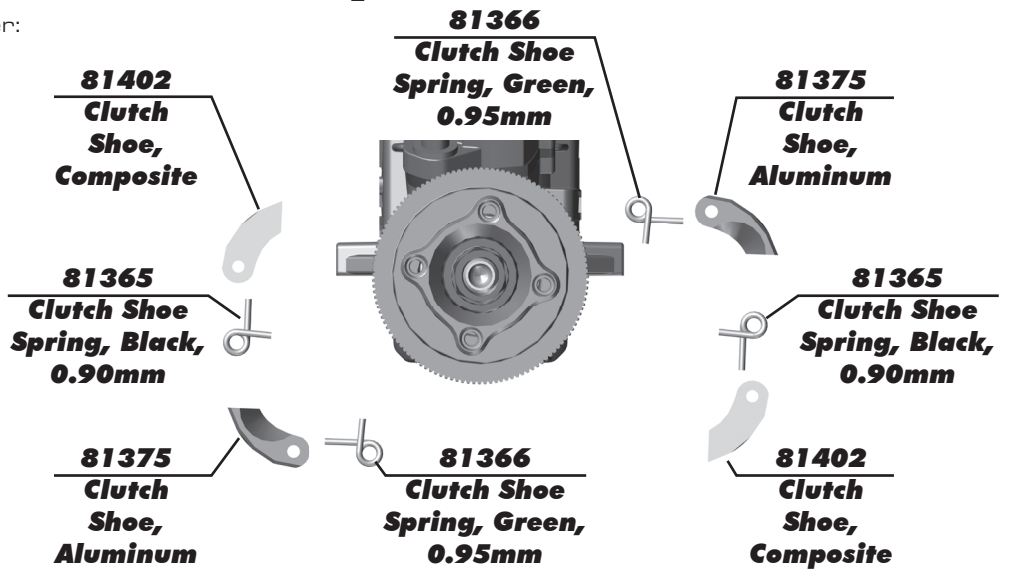


:: Engine / Tank Build - Bag 12.1, 12.2, 12.3 - Step 3

Clutch Shoe / Spring Installation Order:



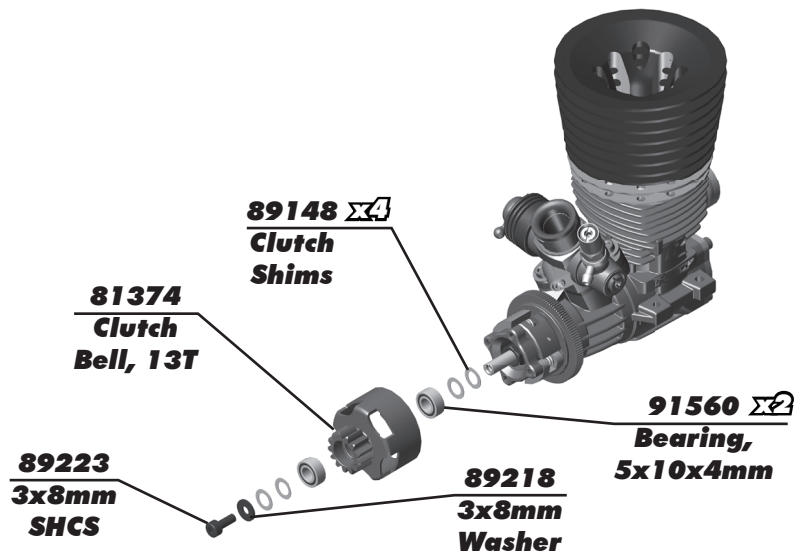
Short end of clutch shoe spring installed into flywheel.
Long end of clutch shoe spring installed into clutch shoe.



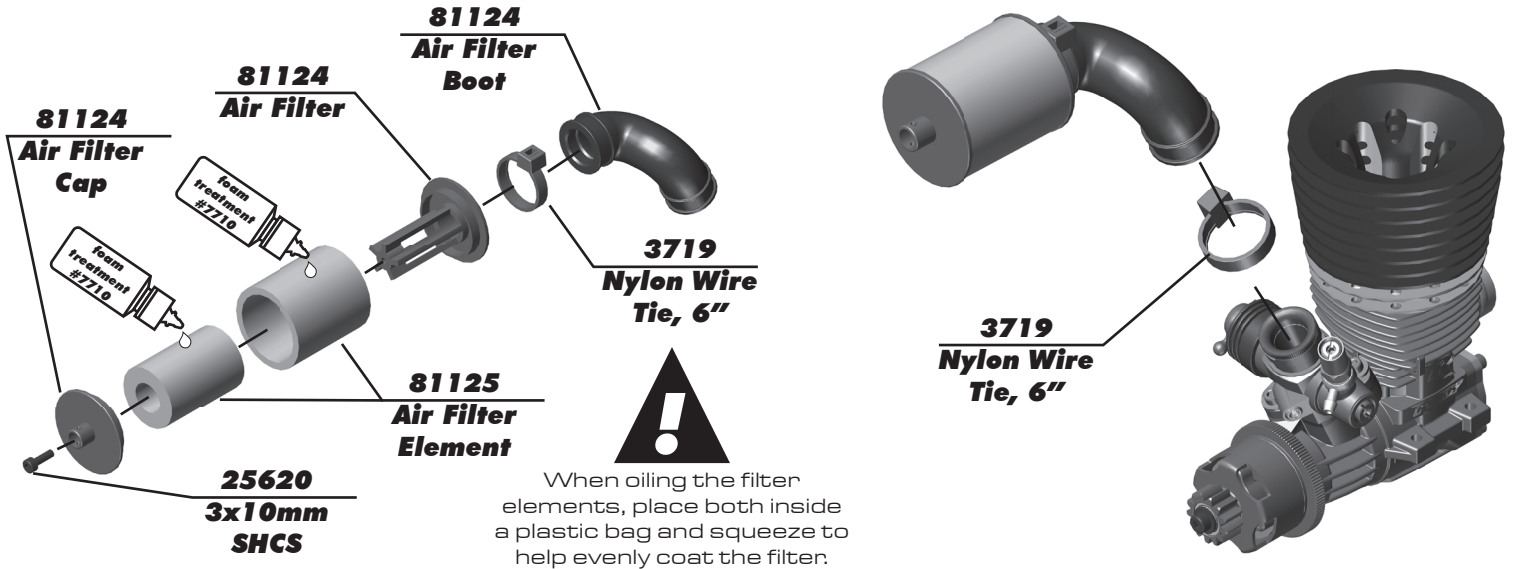
:: Engine / Tank Build - Bag 12.1, 12.2, 12.3 - Step 4

Clutch shimming instructions:
If assembly does not spin freely, use #89148 (small clutch shim included in kit) on screw to increase end play.
If crankcase extends past clutch bearing, use #89218 (large clutch shim included in kit) to reduce end play.

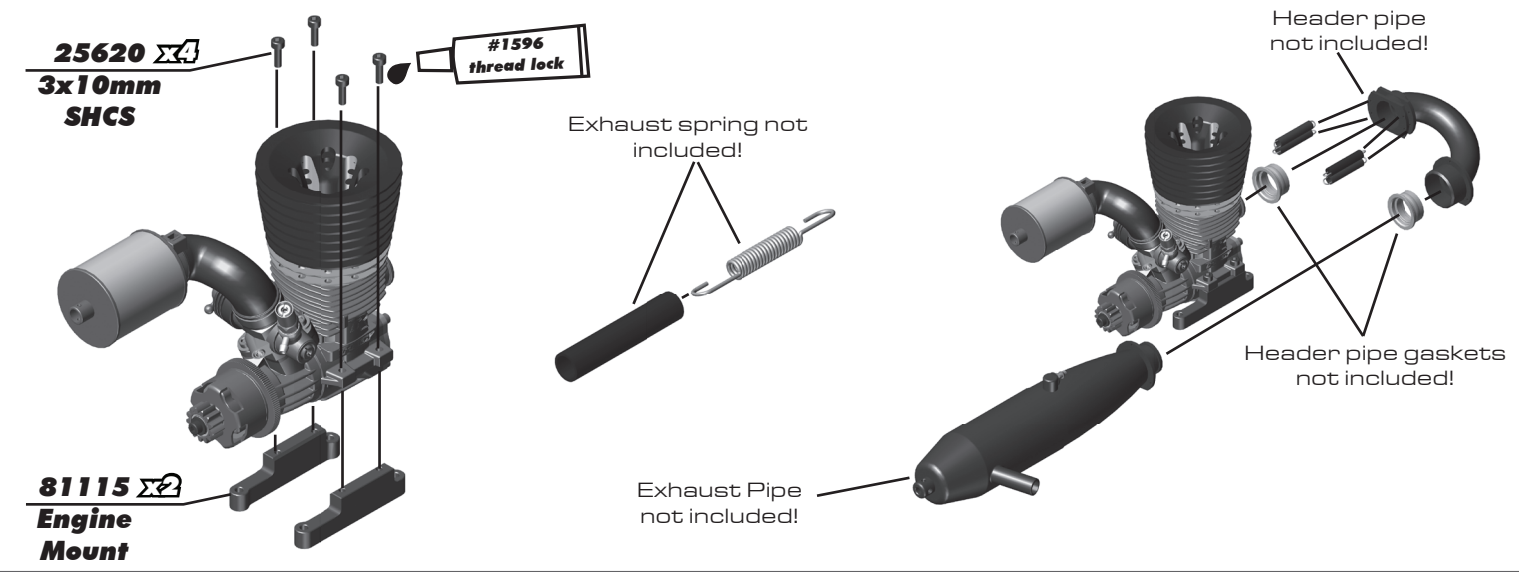
Recommended Clutch Bell Axial Play = 0.2 - 0.5mm



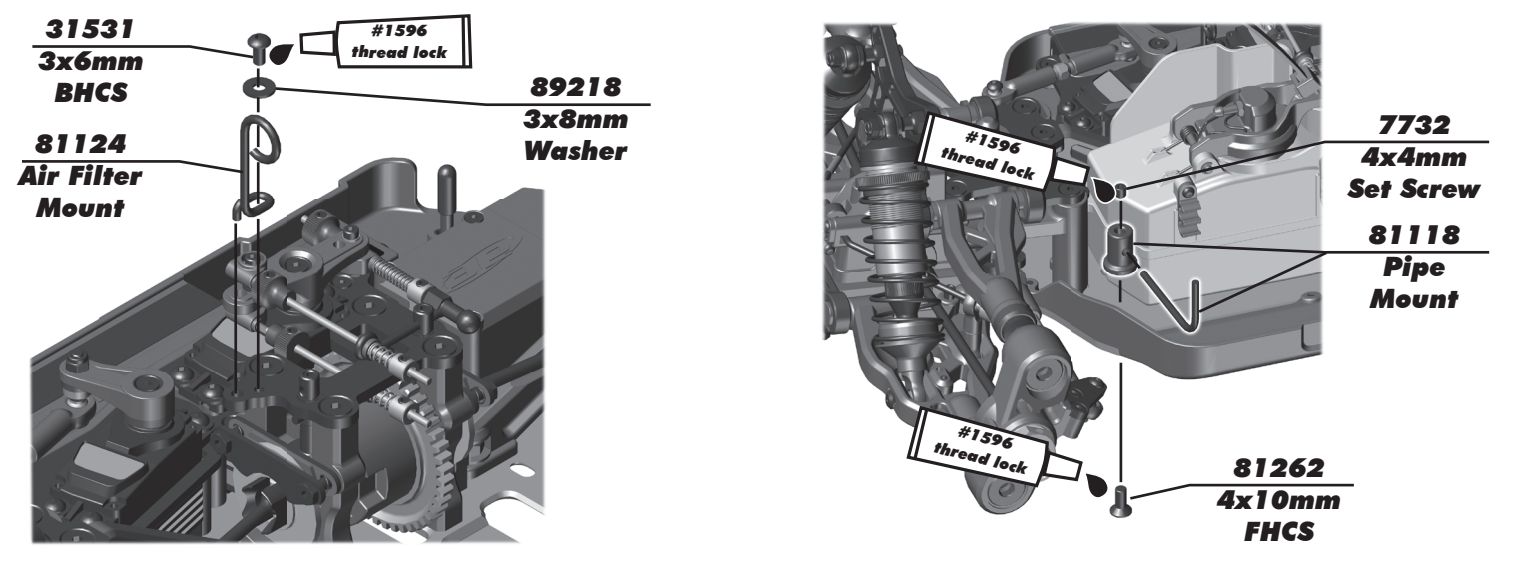
:: Engine / Tank Build - Bag 12.1, 12.2, 12.3 - Step 5



:: Engine / Tank Build - Bag 12.1, 12.2, 12.3 - Step 6



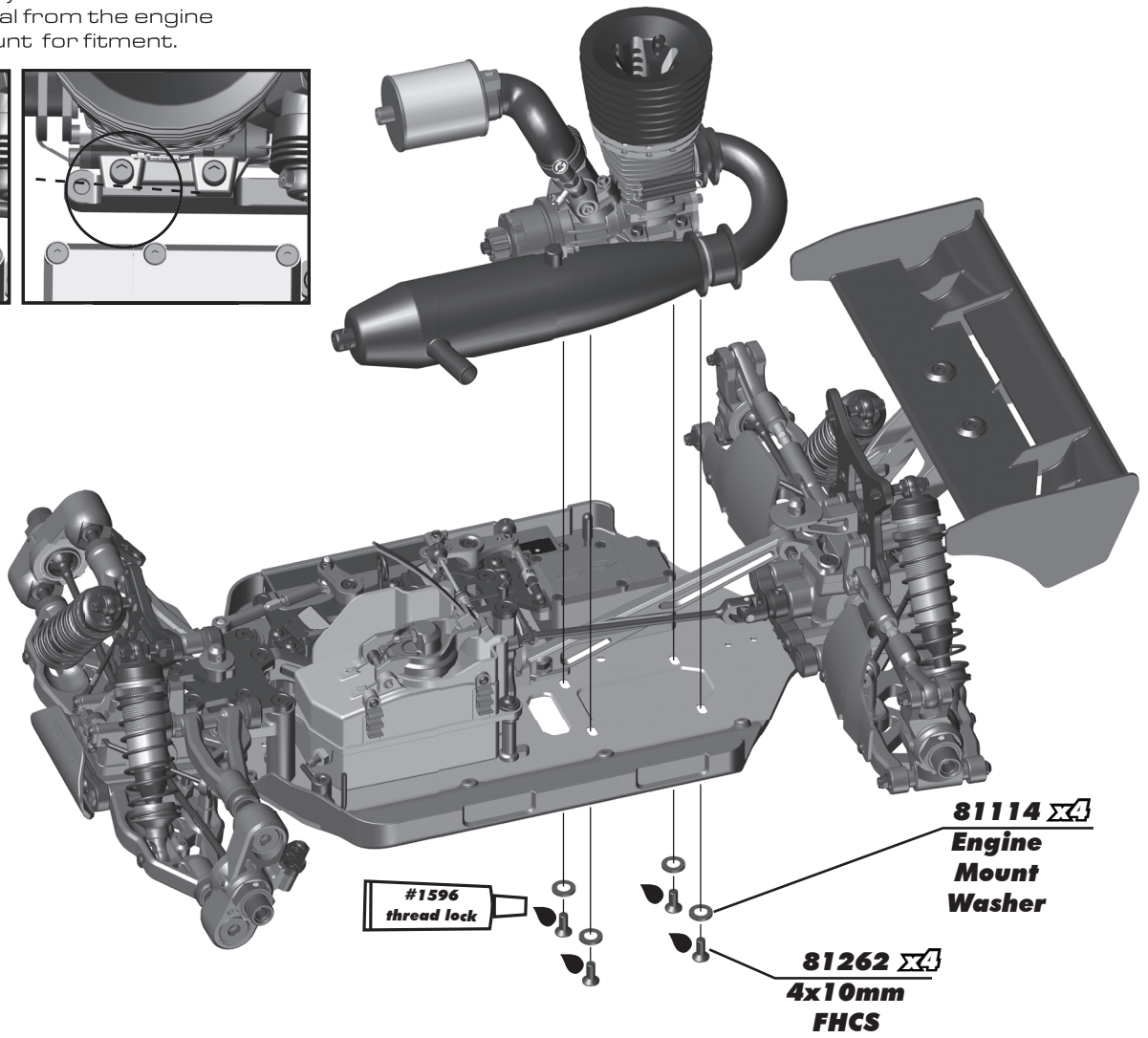
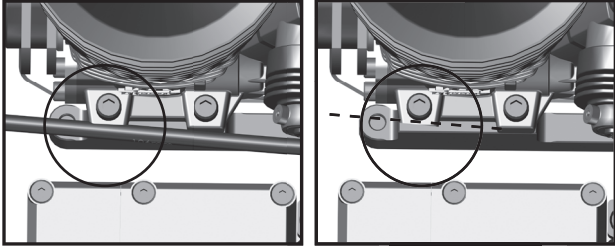
:: Engine / Tank Build - Bag 12.1, 12.2, 12.3 - Step 7



:: Engine / Tank Build - Bag 12.1, 12.2, 12.3 - Step 8

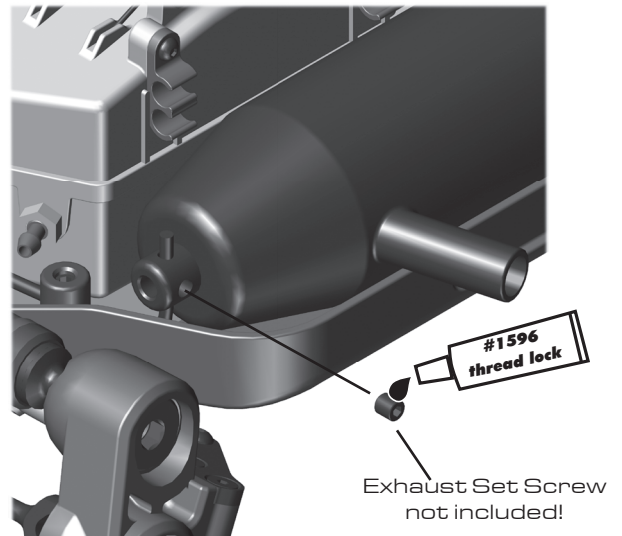
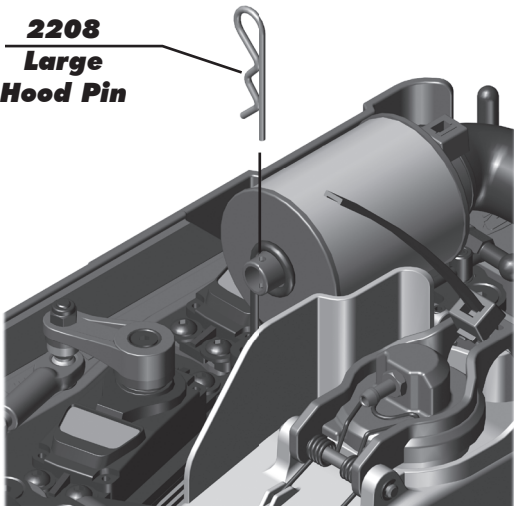


When installing your engine, make sure the rear drive shaft does not interfere with the engine mount. You may need to remove material from the engine mount for fitment.



:: Engine / Tank Build - Bag 12.1, 12.2, 12.3 - Step 9

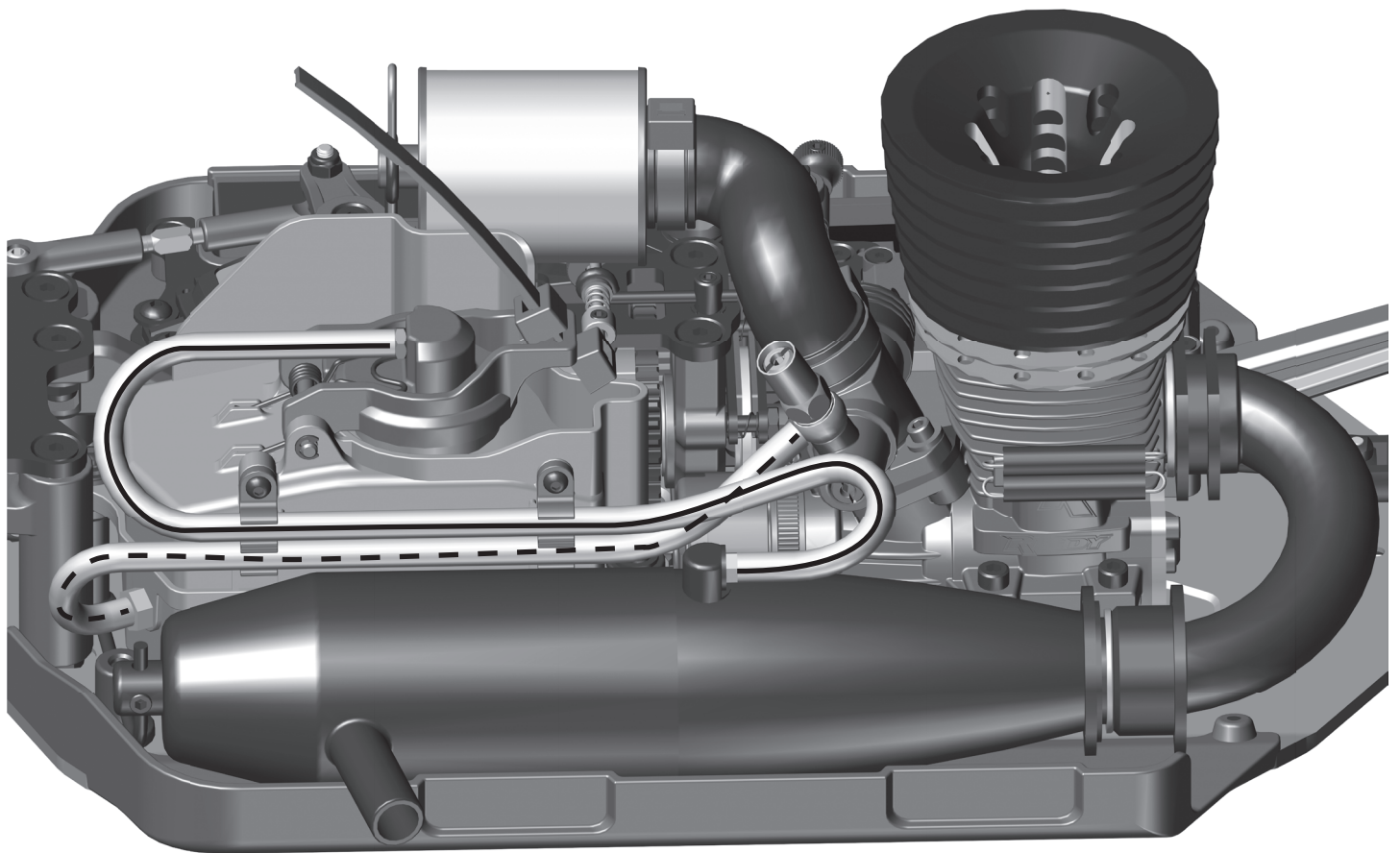
**2208
Large
Hood Pin**



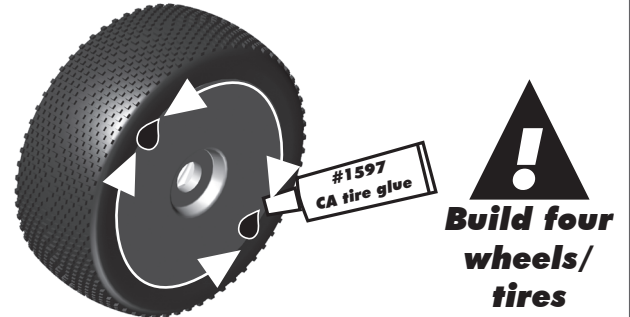
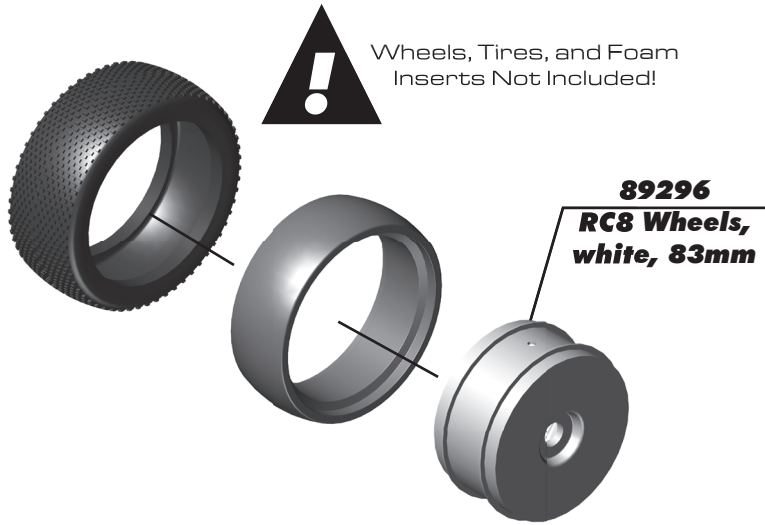
:: Engine / Tank Build - Bag 12.1, 12.2, 12.3 - Step 10

**Pressure line from
fuel tank lid to
exhaust pipe**

**Fuel line from fuel
tank to carburetor**



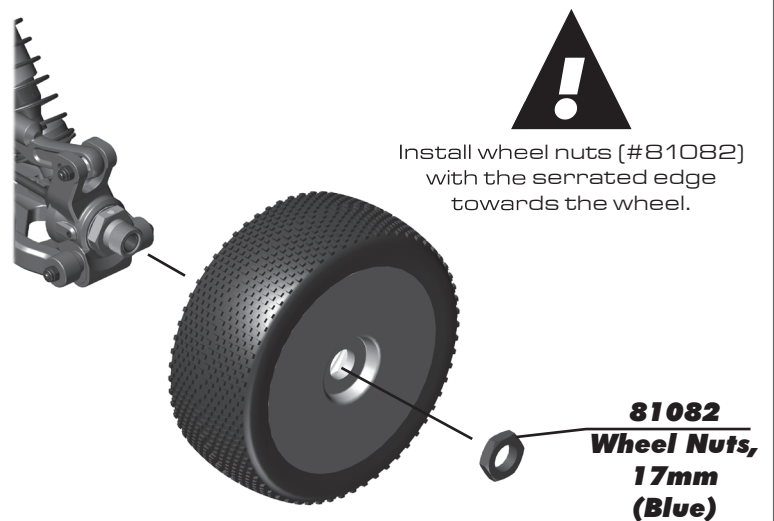
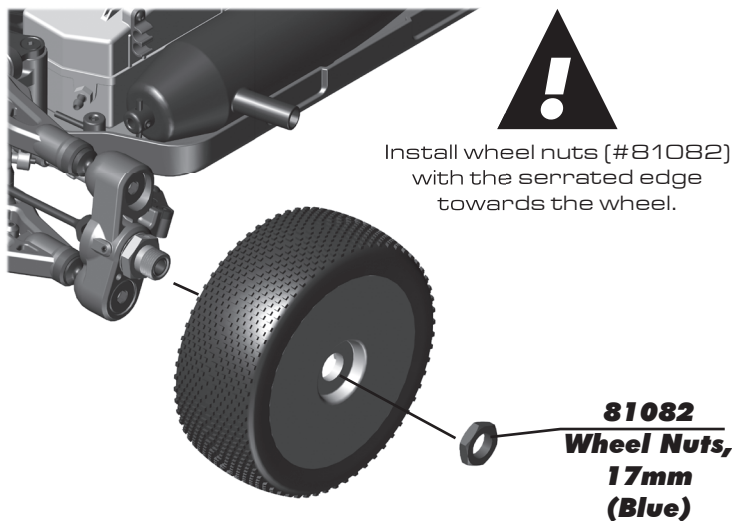
:: Wheels / Tires / Body - Misc. - Step 1



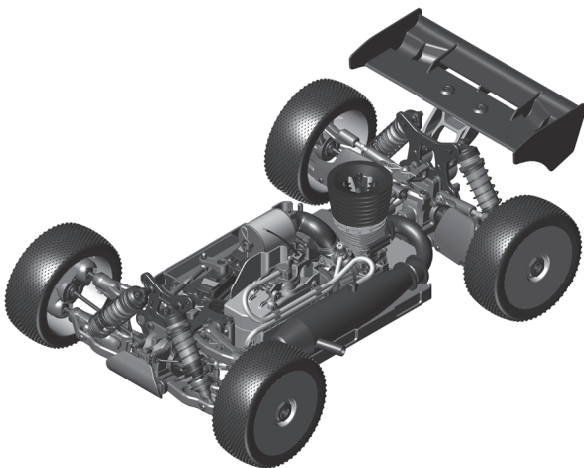
Tires:

When gluing tires to wheels, use a fast-curing tire glue [CA] [AE # 1597]. This is available at your local hobby shop. Make sure to clean the mounting surface of the tire and wheel with alcohol for best adhesion.

:: Wheels / Tires / Body - Misc. - Step 2



:: Wheels / Tires / Body - Misc. - Step 3



Painting Tips:

Your RC8B3.1 Kit comes with a clear polycarbonate body. You will need to prep the body before you can paint it. Wash the inside thoroughly with warm water and liquid detergent. Dry the body using a clean, soft, lint-free cloth. Install the window masks on the inside of the body. (RC cars get painted from the inside). Using high quality masking tape, apply tape to the inside of the body to create a design. Spray (either rattle can or airbrush R/C specific paint) the paint to the inside of the body (preferably dark colors first, lighter colors last).

NOTE: use ONLY paint that is recommended for use with (polycarbonate) plastics. If you do not, you can destroy the polycarbonate body!!!

After painting, cut the body along the trim lines. Make sure to drill or use a body reamer to make the holes for the body mounts and antenna!

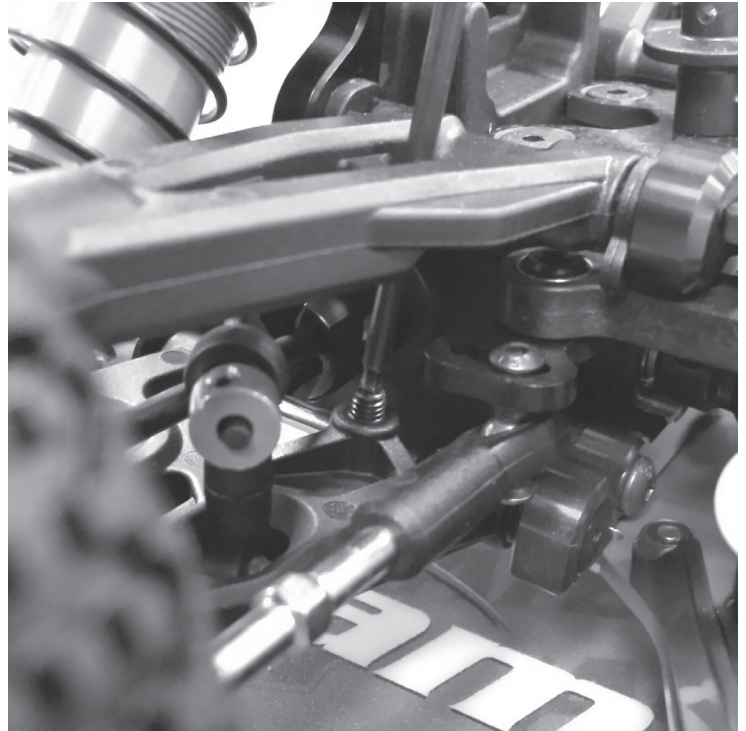
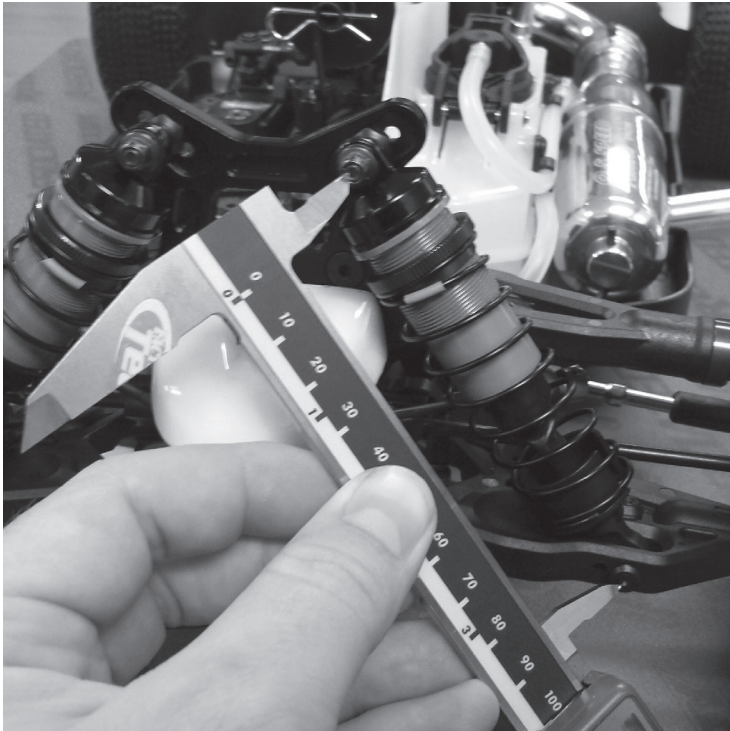
:: Droop Settings

Set droop by measuring overall length of shock [from standoff to shock pin] while the chassis is elevated above your working surface. The shocks should be fully extended.

Kit setup for front droop is 104mm shock length, and 120mm shock length for the rear.

If the shock length is too long, adjust by turning the droop screws clockwise.

If the shock length is too short, adjust by turning the droop screws counter-clockwise.



Front Droop: Increasing front droop [loosen droop screws] will increase off-throttle steering. It also allows the front end to lift more, giving more rear grip and less front grip on-power. Remember to never loosen the screws beyond the FULL DROOP setting. Decreasing front droop [tighten droop screws] yields more on-power steering and quicker response at the expense of some stability in bumpy sections. It will also give less off-throttle steering.

Rear Droop: Increasing rear droop [loosen droop screws] will increase traction in bumpy sections, but will reduce high-speed stability. Remember to never loosen the screws beyond the FULL DROOP setting. Decreasing rear droop [tighten droop screws] will increase stability in high speed sections, but will reduce stability in bumpy sections.

Setup Sheets:

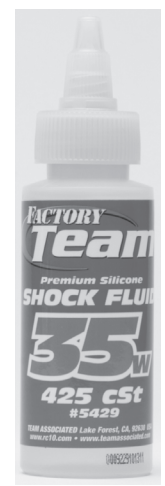
Most often the best way to get your car handling right is to go to our website www.rc10.com and click on the "Setup Sheets" link, then the link to your vehicle, then search for your vehicle. Our team of professional drivers help develop these setups at National events. Also, most drivers have a "base" setup that they use as a starting point for every event. Try running some of our base setups OR look for track conditions and tires that are similar to your local track and mimic that setup. Remember, each adjustment has a purpose, so copy everything from the setup sheet and then make adjustments based on the recommendations in here at <http://www.rc10.com/rc/tuning>.

:: Shocks

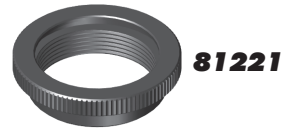
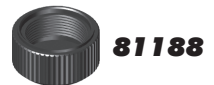
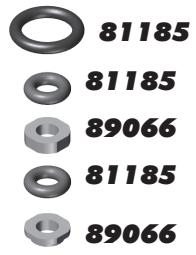
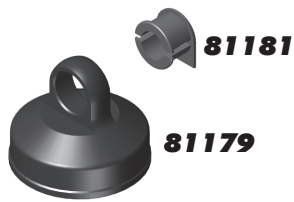
81156	RC8B3 Shock Kit (Front)	1
81157	RC8B3 Shock Kit (Rear)	1
81160	RC8B3 Shock Body, 30.5mm	2
81161	RC8B3 Shock Body, 39.5mm	2
81170	RC8B3 Shock Shaft, 30.5mm	2
81171	RC8B3 Shock Shaft, 39.5mm	2
81179	RC8B3 Bleeder Shock Cap	2
81181	RC8B3 Shock Cap Insert	2
81182	RC8B3 Shock Bladder	2
81185	RC8B3 Shock Rebuild Kit	2
81186	RC8B3 Shock O-Ring	8
81188	RC8B3 Shock Body Seal Retainer	2
81190	RC8B3 Shock Boots	4
81194	RC8B3 Shock Rod End & Spring Cup	4
81200	RC8B3 Shock Pistons (6x1.3 - KIT, 6x1.3 T, 8x1.2 T)	2 ea.
89215	Shock Piston Locknut	10
81221	Spring Collars, 20mm	2
89278	Washer, 2.5mm	20
91492	12mm V2 Bleeder Screw / Gasket	2

:: Shock Fluid

5420	10 Weight Silicone Shock Fluid	2oz.
5421	20 Weight Silicone Shock Fluid	2oz.
5422	30 Weight Silicone Shock Fluid	2oz.
5423	40 Weight Silicone Shock Fluid	2oz.
5424	22.5 Weight Silicone Shock Fluid	2oz.
5425	80 Weight Silicone Shock Fluid	2oz.
5426	27.5 Weight Silicone Shock Fluid	2oz.
5427	15 Weight Silicone Shock Fluid	2oz.
5428	25 Weight Silicone Shock Fluid	2oz.
5429	35 Weight Silicone Shock Fluid	2oz.
5430	45 Weight Silicone Shock Fluid	2oz.
5431	55 Weight Silicone Shock Fluid	2oz.
5432	32.5 Weight Silicone Shock Fluid	2oz.
5433	37.5 Weight Silicone Shock Fluid	2oz.
5434	42.5 Weight Silicone Shock Fluid	2oz.
5435	50 Weight Silicone Shock Fluid	2oz.
5436	60 Weight Silicone Shock Fluid	2oz.
5437	70 Weight Silicone Shock Fluid	2oz.
5438	47.5 Weight Silicone Shock Fluid	2oz.



81193



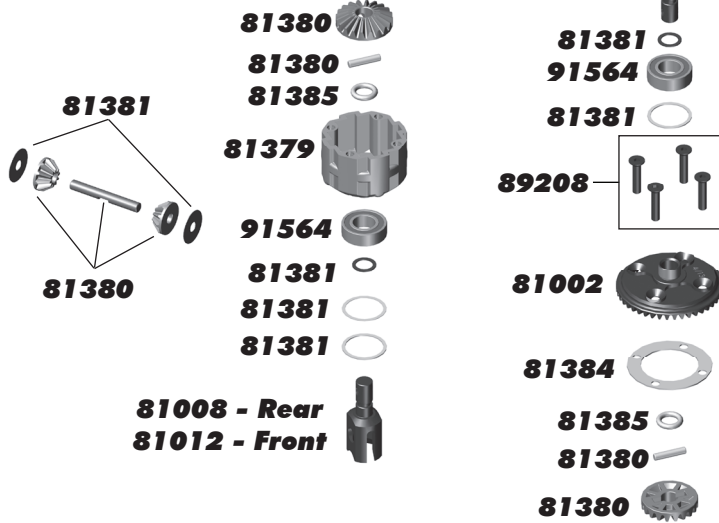
:: Springs

81222	Front Spring, V2, 4.9lb/in, Green	Pr.
81223	Front Spring, V2, 5.1lb/in, White	Pr.
81224	Front Spring, V2, 5.3lb/in, Gray	Pr.
81225	Front Spring, V2, 5.5lb/in, Blue - KIT	Pr.
81226	Front Spring, V2, 5.7lb/in, Yellow	Pr.
81229	Rear Spring, V2, 4.1lb/in, White	Pr.
81230	Rear Spring, V2, 4.2lb/in, Gray	Pr.
81231	Rear Spring, V2, 4.3lb/in, Blue - KIT	Pr.
81232	Rear Spring, V2, 4.4lb/in, Yellow	Pr.

:: Front / Rear Gear Differential

81002	RC8B3 Diff Ring Gear, 44T	1
81008	Diff Outdrives, 15mm, Rear Diff	2
81012	Diff Outdrives, 17mm, Front Diff	2
81379	RC8B3.1 Differential Case	1
81380	RC8B3.1 Differential Gear Set	1
81381	RC8B3.1 Differential Shim Set	1
81383	RC8B3.1 Differential Gear Set (LTC)	1
81384	RC8B3.1 Differential Gasket	3
81385	RC8B3.1 Differential O-Ring Set	1
89208	3 x 14mm FHCS	10
91564	8 x 16 x 5 Bearings	2

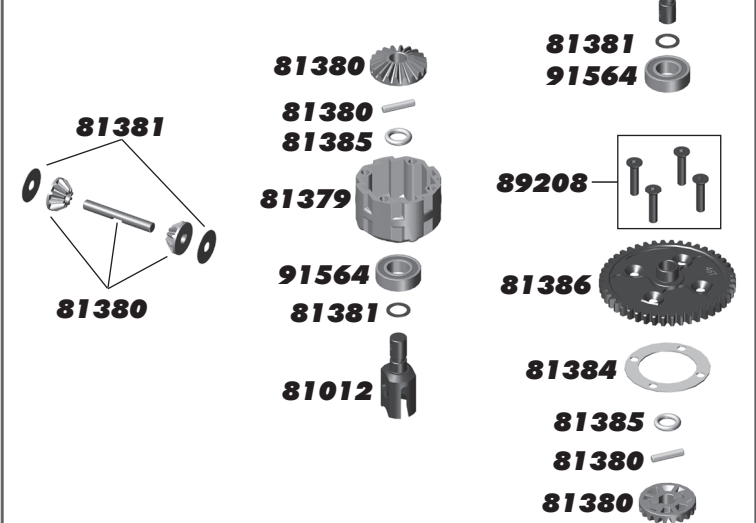
81008 - Rear
81012 - Front



:: Center Gear Differential

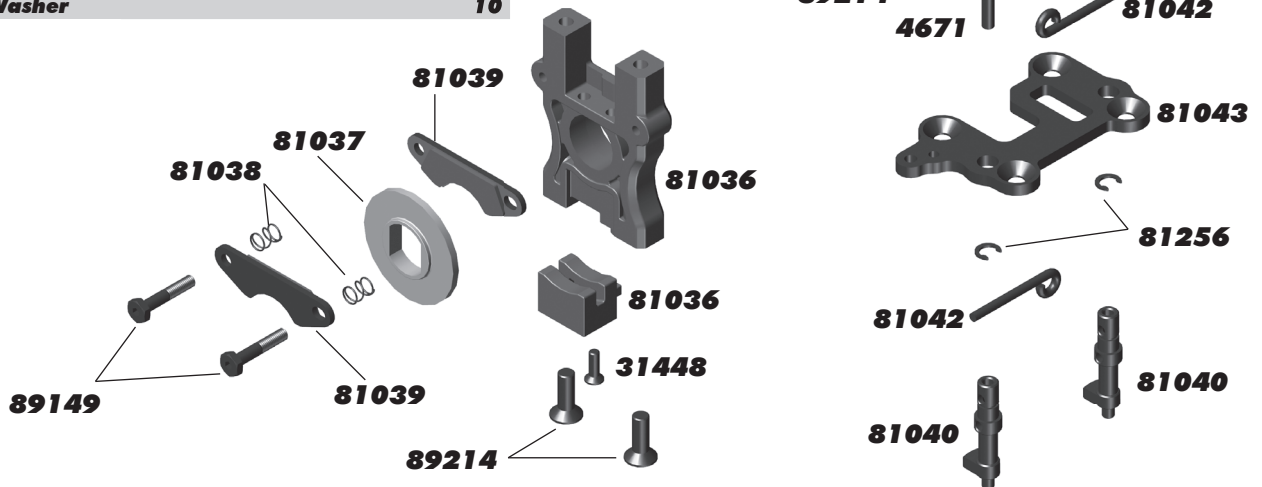
81012	Diff Outdrives, 17mm, Center Diff	2
81379	RC8B3.1 Differential Case	1
81380	RC8B3.1 Differential Gear Set	1
81381	RC8B3.1 Differential Shim Set	1
81383	RC8B3.1 Differential Gear Set (LTC)	1
81384	RC8B3.1 Differential Gasket	3
81385	RC8B3.1 Differential O-Ring Set	1
81386	RC8B3.1 Spur Gear, 46T - KIT	1
81387	RC8B3.1 Spur Gear, 47T	1
81388	RC8B3.1 Spur Gear, 48T	1
89208	3 x 14mm FHCS	10
91564	8 x 16 x 5 Bearings	2

81012



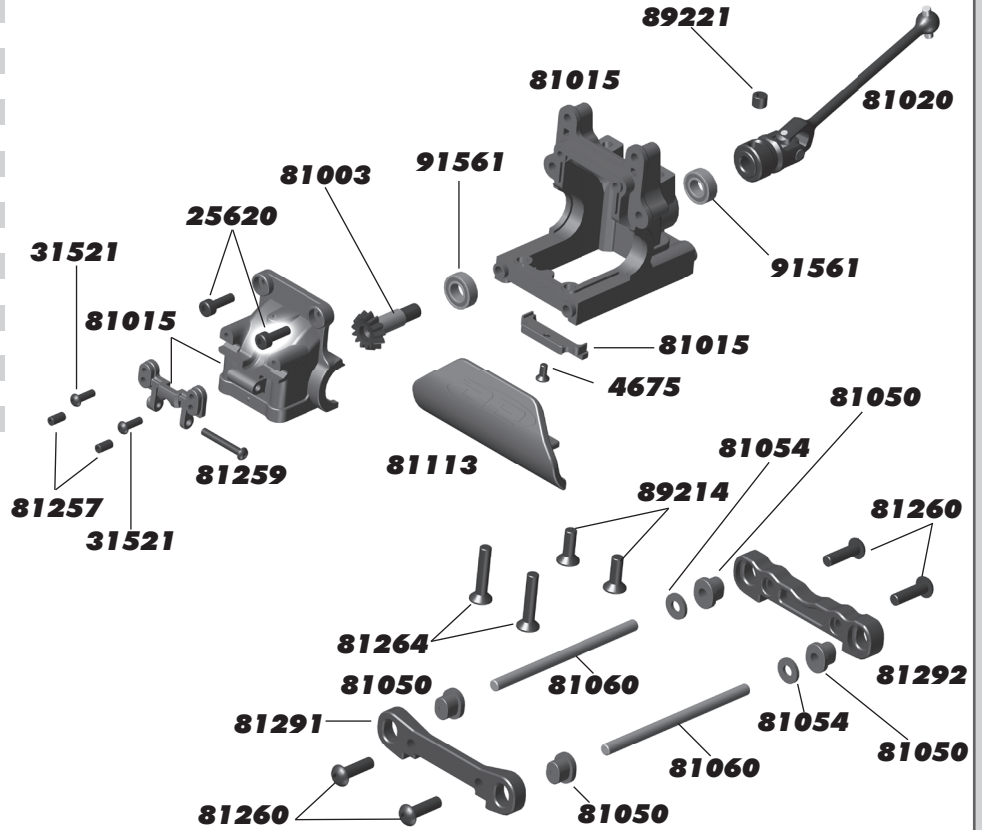
:: Center Bulkhead

4671	3 x 10mm Set Screw	6
25225	3 x 3mm Set Screw	20
31448	2.5 x 8mm FHCS	6
31531	3 x 6mm BHCS	6
81036	RC8B3 Center Bulkhead, 2 wide, 2 narrow	1
81037	RC8B3 Brake Rotor	2
81038	RC8B3 Brake Pad Spring - KIT	4
81039	RC8B3 Brake Pad, 2 inside, 2 outside, 4 springs	1
81040	RC8B3 Brake Cam	2
81042	RC8B3 Brake Lever	2
81043	RC8B3 Center Top Plate	1
81124	RC8B3 Air Filter, Boot, and Mount	1
81256	C-Clip, 5mm	6
89149	Brake Bolt	4
89214	4 x 12mm FHCS	10
89218	3 x 8mm Washer	10



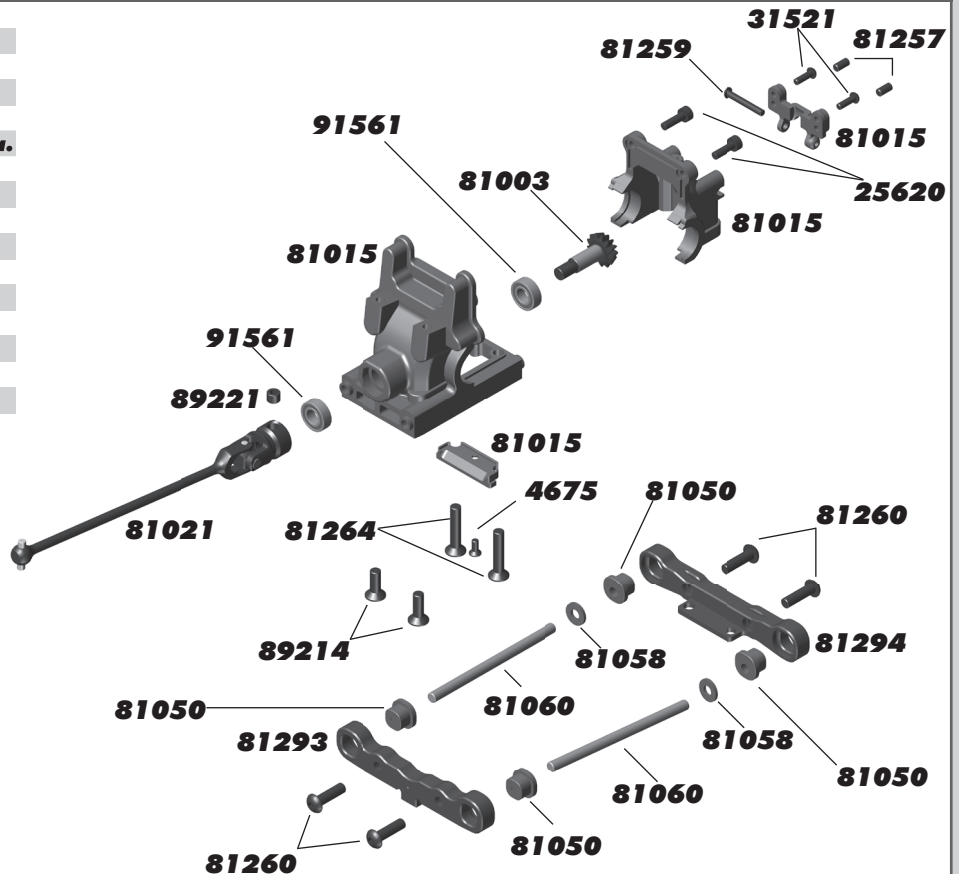
:: Front Gearbox

4675	2.5 x 6mm FHCS	6
25620	3 x 10mm SHCS	20
31521	2.5 x 8mm BHCS	6
81003	RC8B3 Diff Pinion Gear, 13T	1
81015	RC8B3 Gearbox	2
81020	RC8B3 Center Universal, 76mm	1
81050	RC8B3 Arm Mount Insert	12 ea.
81054	RC8B3 Front Arms/Shims	Pr.
81060	RC8B3 Hinge Pin Set	1
81113	RC8B3 Front Bumper	1
81257	3 x 6mm Set Screw	6
81259	2.5 x 18mm BHCS	6
81260	4 x 14mm BHCS	6
81264	4 x 20mm FHCS	6
81291	RC8B3.1 Arm Mount, A	1
81292	RC8B3.1 Arm Mount, B	1
89214	4 x 12mm FHCS	10
89221	5 x 4mm Set Screw	10
91561	Bearing, 6 x 12 x 4mm	2



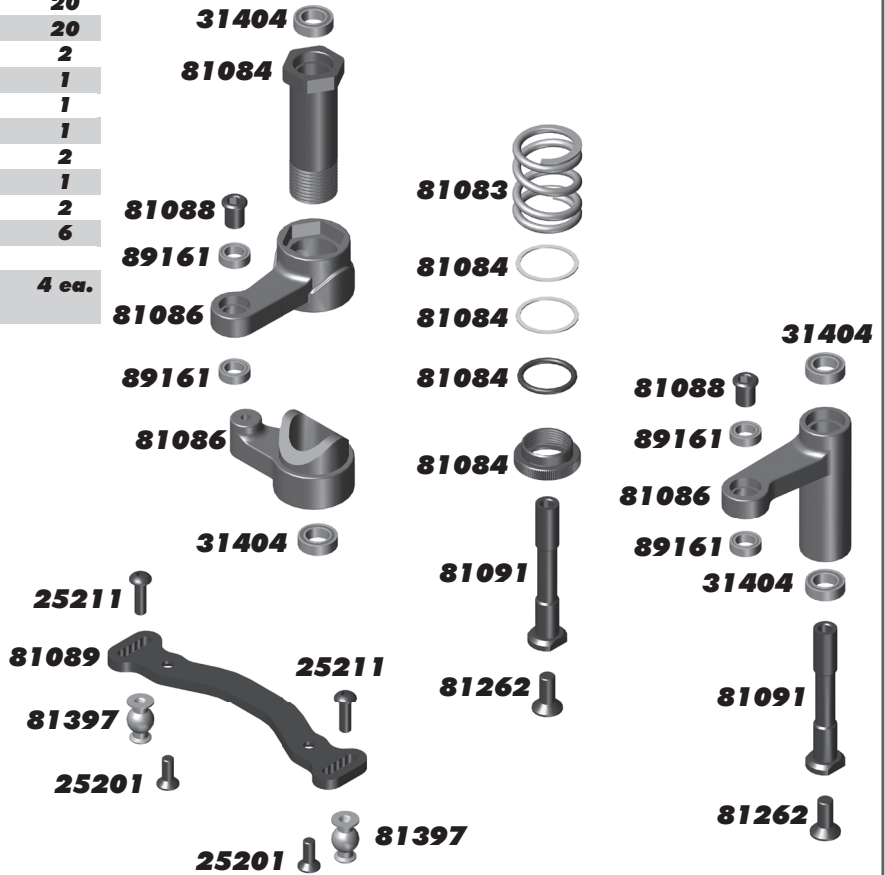
:: Rear Gearbox

4675	2.5 x 6mm FHCS	6
25620	3 x 10mm SHCS	20
81003	RC8B3 Diff Pinion Gear, 13T	1
81015	RC8B3 Gearbox	2
81021	Center Universal, 106mm	1
81050	RC8B3 Arm Mount Insert	12 ea.
81058	RC8B3 Rear Arms/Shims	Pr.
81060	RC8B3 Hinge Pin Set	1
81257	3 x 6mm Set Screw	6
81259	2.5 x 18mm BHCS	6
81260	4 x 14mm BHCS	6
81264	4 x 20mm FHCS	6
81293	RC8B3.1 Arm Mount, C	1
81294	RC8B3.1 Arm Mount, D	1
89214	4 x 12mm FHCS	10
89221	5 x 4mm Set Screw	10
91561	Bearing, 6 x 12 x 4mm	2



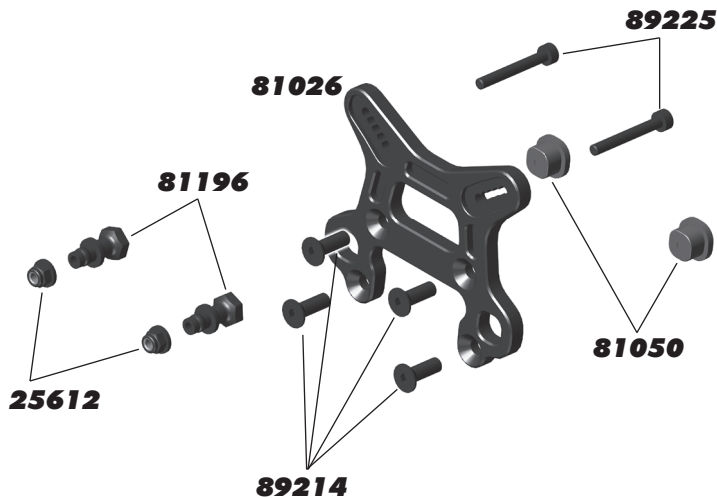
:: Steering

25201	3 x 8mm FHCS	20
25211	3 x 10mm BHCS	20
31404	Bearing, 6 x 10 x 3mm	2
81083	Servo Saver Spring	1
81084	RC8B3.1 Servo Saver Tube	1
81086	RC8B3 Steering Bellcrank	1
81088	RC8B3 Steering Bellcrank Nut	2
81089	RC8B3 Steering Rack	1
81091	RC8B3 Steering Post	2
81262	4 x 10mm FHCS	6
81397	Turnbuckle Ball, 4mm	
89161	FT Steering Bearing Set, 5 x 8 x 2.5mm & 6 x 10 x 3mm	4 ea.



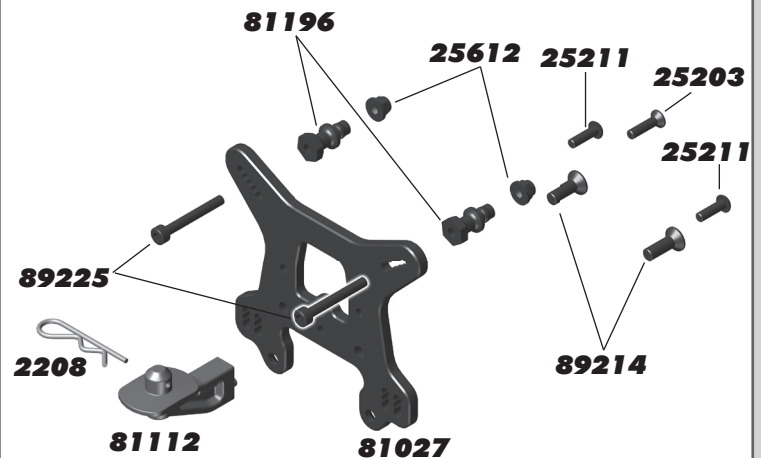
:: Front Shock Tower

25612	M3 Locknut with Flange, Black	20
81026	RC8B3 Shock Tower, Front	1
81050	RC8B3 Arm Mount Inserts	12 ea.
81196	RC8B3 Shock Bushing	4
89214	4 x 12mm FHCS	10
89225	3 x 24mm SHCS	10



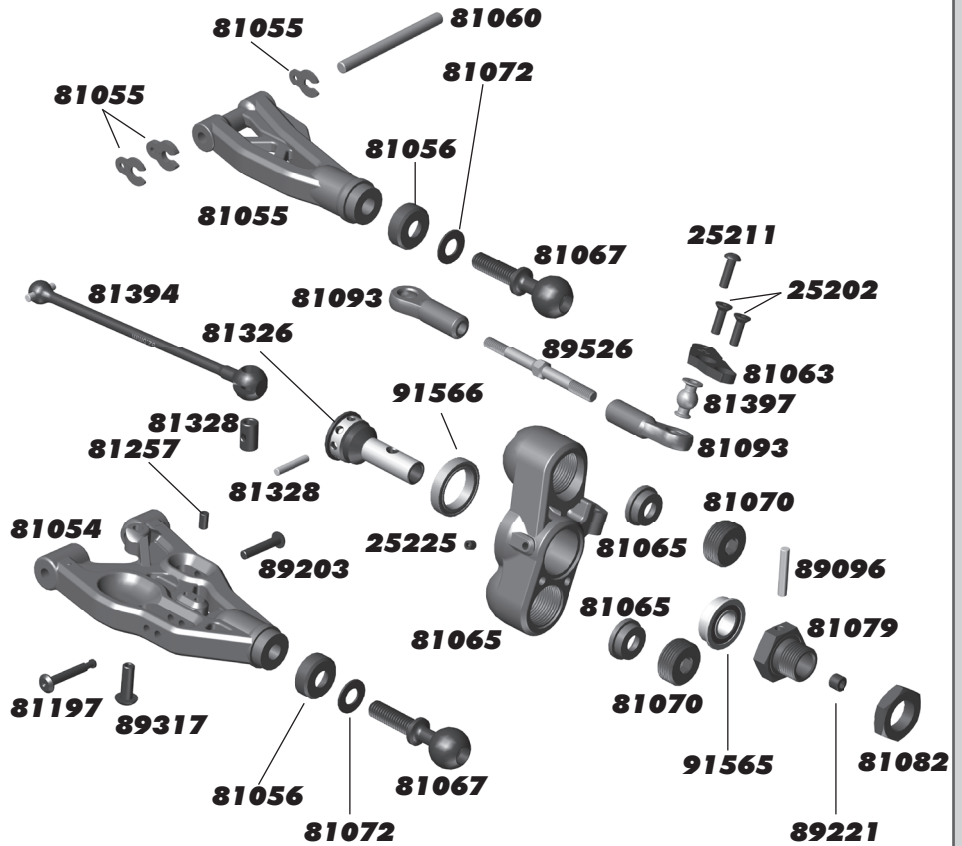
:: Rear Shock Tower

2208	Large Hood Pins	6
25203	3 x 12mm FHCS	20
25211	3 x 10mm BHCS	20
25612	M3 Locknut with Flange, Black	20
81027	RC8B3 Shock Tower, Rear	1
81112	RC8B3 Body Post	Pr.
81196	RC8B3 Shock Bushing	4
89214	4 x 12mm FHCS	10
89225	3 x 24mm SHCS	10



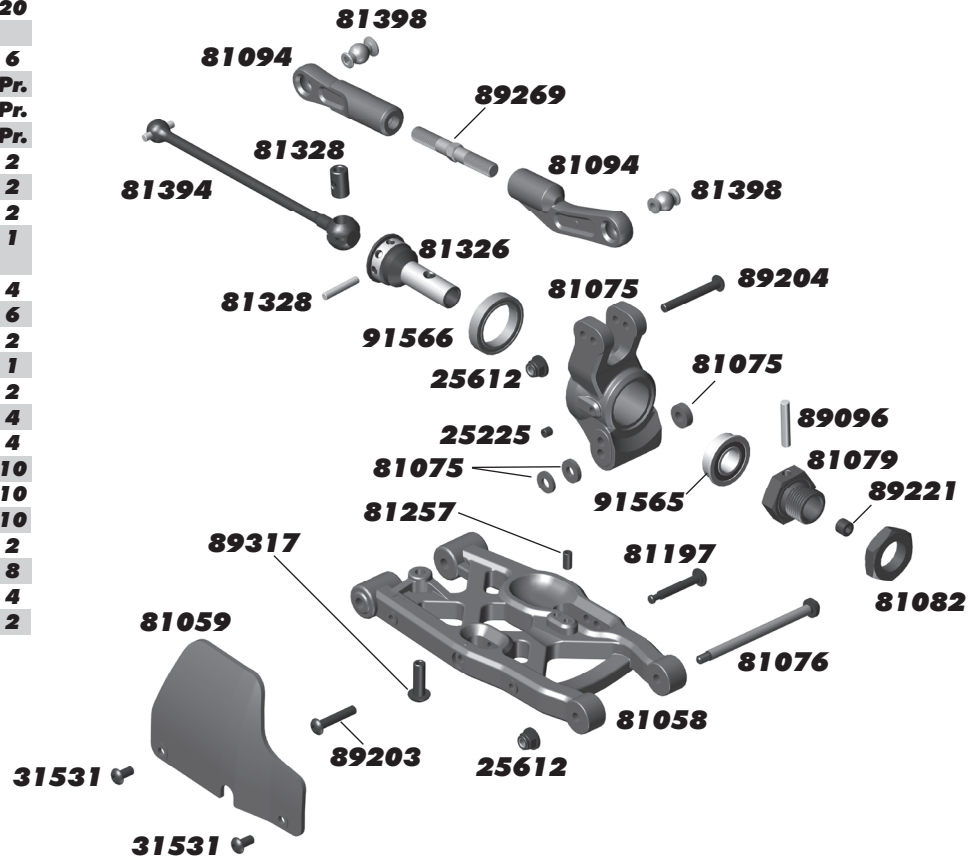
:: Front Suspension

25202	3 x 10mm FHCS	20
25211	3 x 10mm BHCS	20
25225	3 x 3mm Set Screw	20
81054	RC8B3 Front Arms	Pr.
81055	RC8B3 Front Upper Arms	Pr.
81056	RC8B3 Suspension Arm Endcap	4
81060	RC8B3 Hinge Pin Set	1
81063	RC8B3 Steering Block Arm +2 deg	Pr.
81065	RC8B3 Steering Block	Pr.
81067	RC8B3 Pillow Ball	2
81070	RC8B3 Pillow Ball Nut	4
81072	RC8B3 Pillow Ball Shim	6
81079	RC8B3 Wheel Hexes, +1mm wide	2
81082	RC8B3 Wheel Nuts, 17mm Blue	2
81093	RC8B3 Rod End, 4mm (4 ball joints, 1 2 rod ends, 2 offset rod ends)	1
81197	RC8B3 Shock Pin	4
81257	3 x 6mm Set Screw	6
81326	RC8B3 CVA Axle, steel	2
81328	FT RC8B3 CVA Rebuild Kit	1
81394	RC8B3.1 CVA Driveshaft (94mm)	2
81397	RC8B3.1 TB Ball	4
89096	Wheel Hex Pin	4
89203	3 x 16mm BHCS	10
89221	5 x 4mm Set Screw	10
89317	Droop Screw	8
89526	4 x 50mm Turnbuckle	2
91565	8 x 16 x 5 Flanged Bearing	4
91566	15 x 21 x4mm Bearing	2



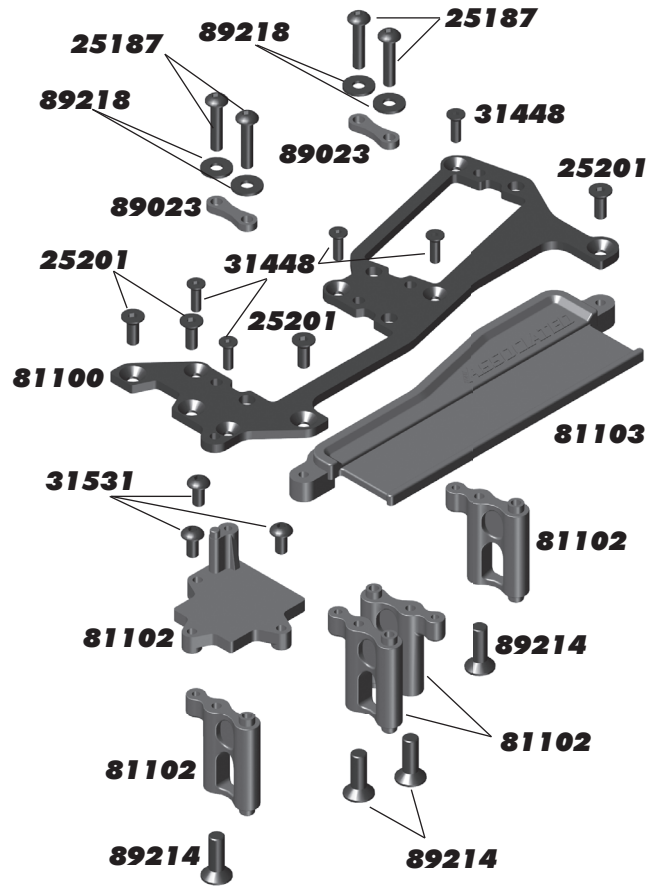
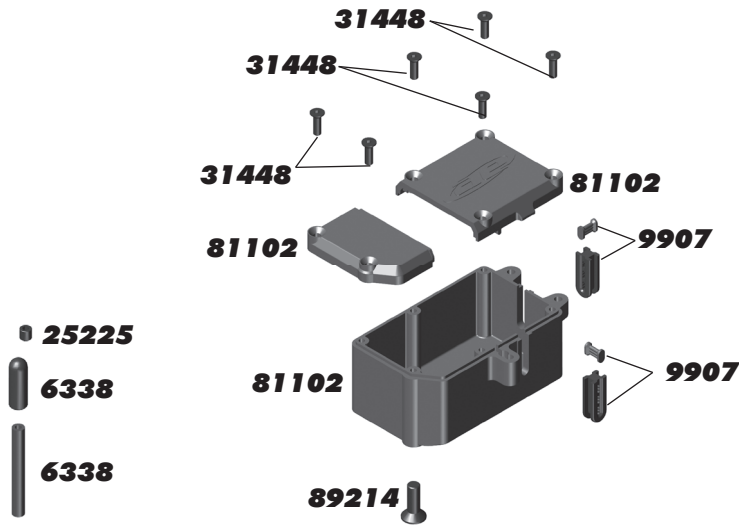
:: Rear Suspension

25225	3 x 3mm Set Screw	20
25612	M3 Flanged Locknut	
31531	3 x 6mm BHCS	6
81058	RC8B3 Rear Arm	Pr.
81059	RC8B3 Rear Arm Mud Guard	Pr.
81075	RC8B3 Rear Hub	Pr.
81076	RC8B3 Hub Hinge Pin	2
81079	RC8B3 Wheel Hexes, +1mm wide	2
81082	RC8B3 Wheel Nuts, 17mm Blue	2
81094	RC8B3 Rod End, 5mm (4 ball joints, 1 2 rod ends, 2 offset rod ends)	1
81197	RC8B3 Shock Pin	4
81257	3 x 6mm Set Screw	6
81326	RC8B3 CVA Axle, steel	2
81328	FT RC8B3 CVA Rebuild Kit	1
81394	RC8B3.1 CVA Driveshaft (94mm)	2
81398	RC8B3.1 TB Ball (Shouldered)	4
89096	Wheel Hex Pin	4
89203	3 x 16mm BHCS	10
89204	3 x 24mm BHCS	10
89221	5 x 4mm Set Screw	10
89269	Steel Turnbuckle, 38mm	2
89317	Droop Screw	8
91565	8 x 16 x 5mm Flanged Bearing	4
91566	15 x 21 x4mm Bearing	2



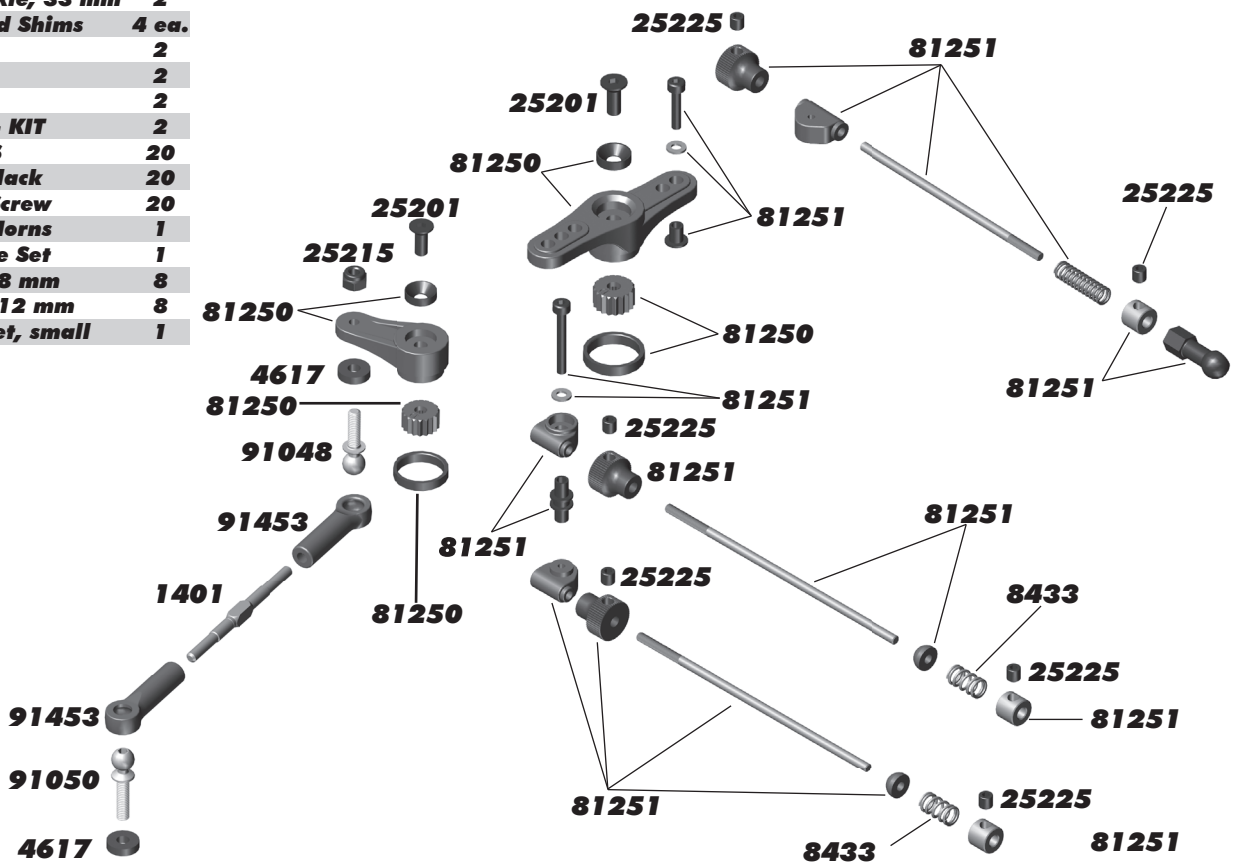
:: Radio Tray

6338	Antenna Tube with Cap, Black	1
9907	Receiver Box Grommets	2 ea.
25187	3 x 14mm BHCS	20
25201	3 x 8mm FHCS	20
25225	3 x 3mm Set Screw	20
31448	2.5 x 8mm FHCS	6
31531	3 x 6mm BHCS	6
81100	RC8B3 Radio Tray	1
81102	RC8B3 Receiver Box	1
81103	RC8B3 Receiver Battery Tray	1
89023	Servo Mount Spacers	1
89214	4 x 12mm FHCS	10
89218	3 x 8mm Washer	10



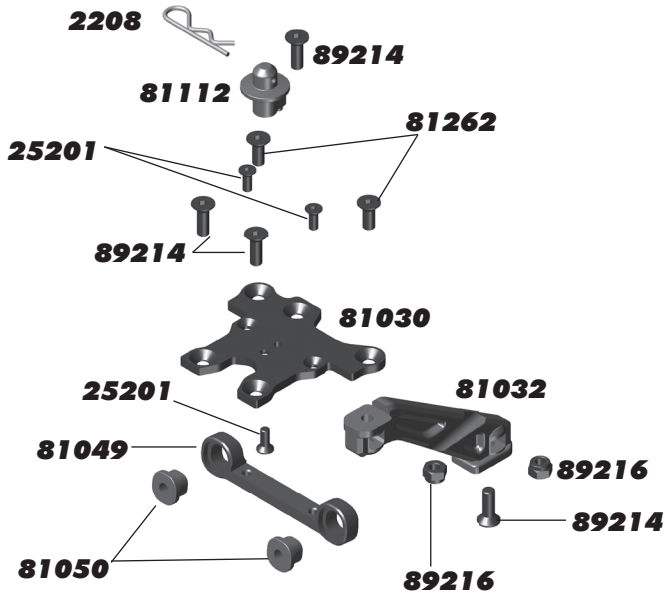
:: Linkage

1401	FT Ti. Turnbuckle, 33 mm	2
4617	Front Bulkhead Shims	4 ea.
8427	.018" Spring	2
8429	.020" Spring	2
8431	.022" Spring	2
8433	.024" Spring - KIT	2
25201	3 x 8mm FHCS	20
25215	M3 Locknut, Black	20
25225	3 x 3mm Set Screw	20
81250	RC8B3 Servo Horns	1
81251	RC8B3 Linkage Set	1
91048	HD Ballstuds, 8 mm	8
91050	HD Ballstuds, 12 mm	8
91453	HD Ball Cup Set, small	1



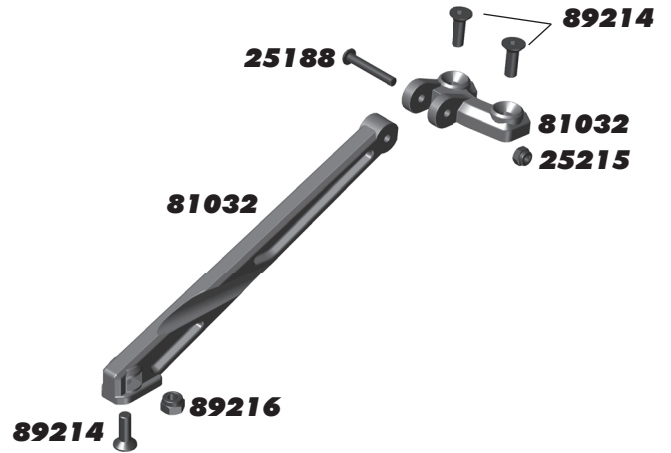
:: Front Chassis Brace

2208	Large Hood Pins	6
25201	3 x 8mm FHCS	20
81030	RC8B3 Top Plate	1
81032	RC8B3 Chassis Brace	Pr.
81049	RC8B3 Upper Link Mount	1
81050	RC8B3 Arm Mount Insert	12 ea.
81112	RC8B3 Body Post	Pr.
81262	4 x 10mm FHCS	6
89214	4 x 12mm FHCS	10
89216	M4 Locknut	10



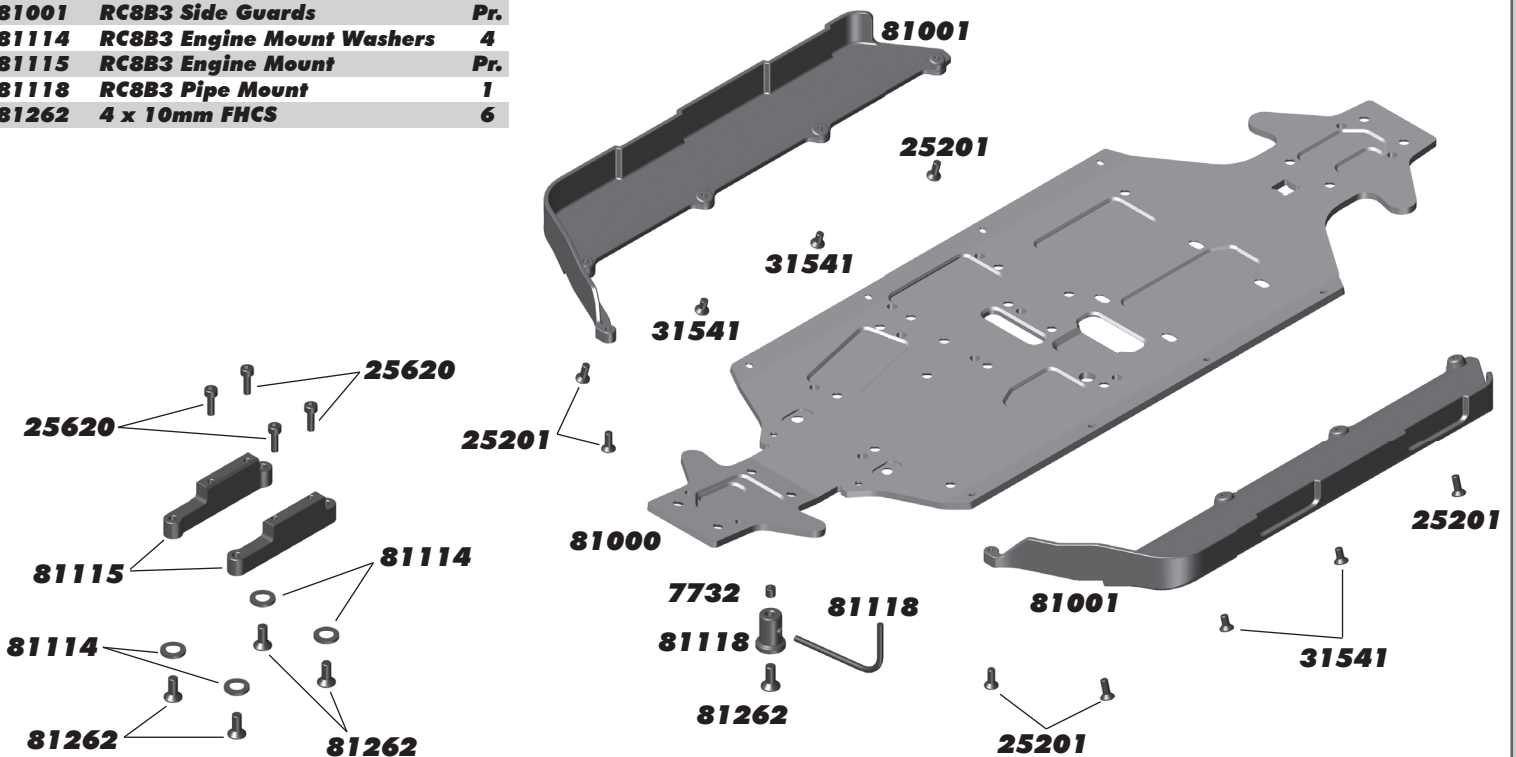
:: Rear Chassis Brace

25188	3 x 20mm BHCS	20
25215	M3 Locknut, Black	20
81032	RC8B3 Chassis Brace	Pr.
89214	4 x 12mm FHCS	10
89216	M4 Locknut	10



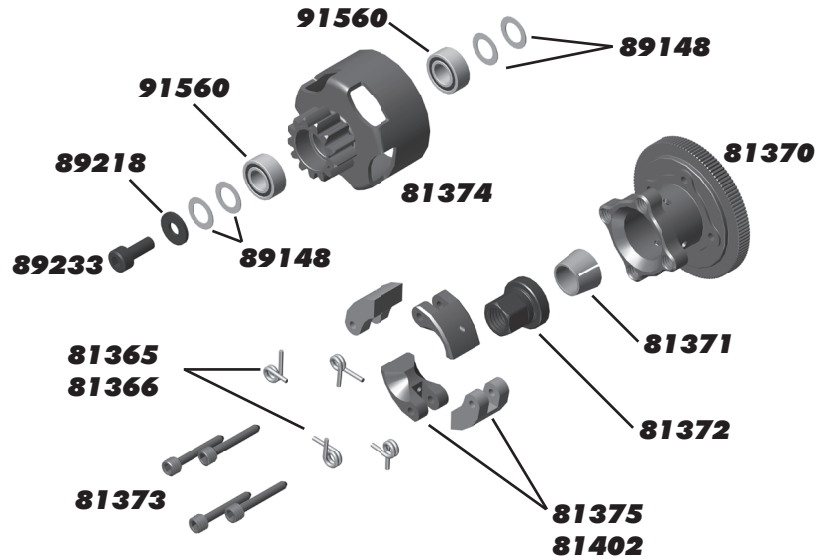
:: Chassis

7732	4 x 4mm Set Screw	6
25201	3 x 8mm FHCS	20
25620	3 x 10mm SHCS	20
31541	3 x 6mm FHCS	6
81000	RC8B3 Chassis	1
81001	RC8B3 Side Guards	Pr.
81114	RC8B3 Engine Mount Washers	4
81115	RC8B3 Engine Mount	Pr.
81118	RC8B3 Pipe Mount	1
81262	4 x 10mm FHCS	6



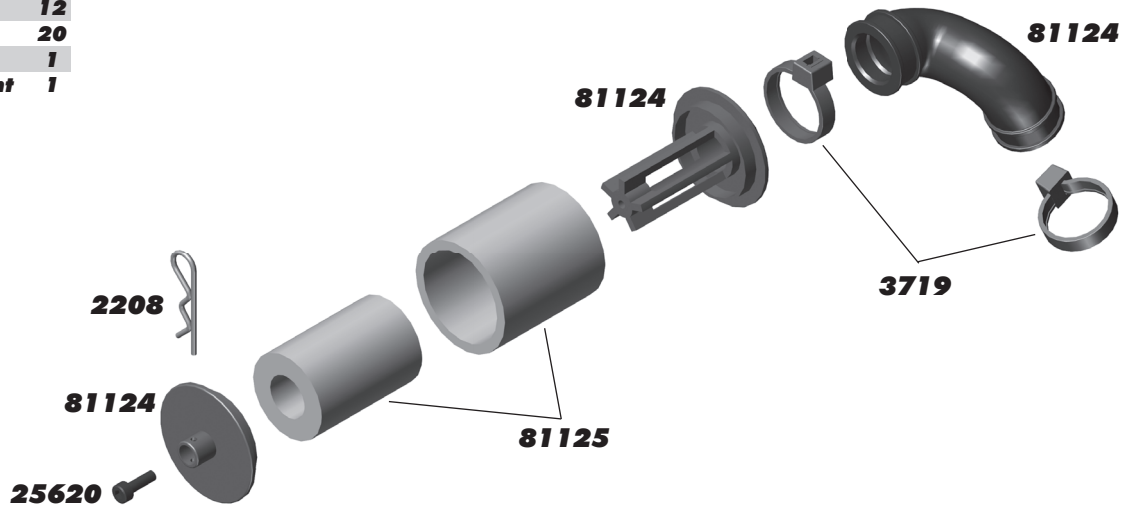
:: Clutch

81365	Clutch Springs (0.90, 4 Shoe) - KIT	4
81366	Clutch Springs (0.95, 4 Shoe) - KIT	4
81367	Clutch Springs (1.00, 4 Shoe)	4
81368	Clutch Springs (1.05, 4 Shoe)	4
81369	Clutch Springs (1.10, 4 Shoe)	4
81370	RC8B3.1 Flywheel (4 Shoe)	1
81371	RC8B3.1 Flywheel Collet (4 Shoe)	2
81372	RC8B3.1 Flywheel Nut (4 Shoe)	1
81373	Clutch Shoe Pins (4 Shoe)	4
81374	Clutch Bell (13T, Vented, 4 Shoe)	1
81375	Clutch Shoe, Hard (4 Shoe) - KIT	2
81377	Clutch Shoe, Composite Hard (4 Shoe)	2
81402	Clutch Shoe, Composite (4 Shoe) - KIT	2
89148	Clutch Bell Shim Set	1
89218	3 x 8mm Washer	10
89223	3 x 8mm SHCS	10
91560	5 x 10 x 4mm Bearing	2



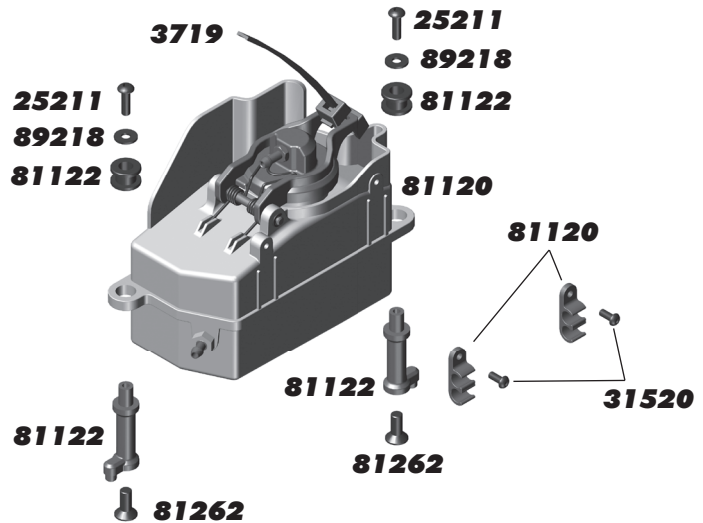
:: Air Filter

2208	Large Hood Pins	6
3719	Nylon Wire Tie, 6"	12
25620	3 x 10mm SHCS	20
81124	RC8B3 Air Filter & Boot	1
81125	RC8B3 Air Filter Element	1



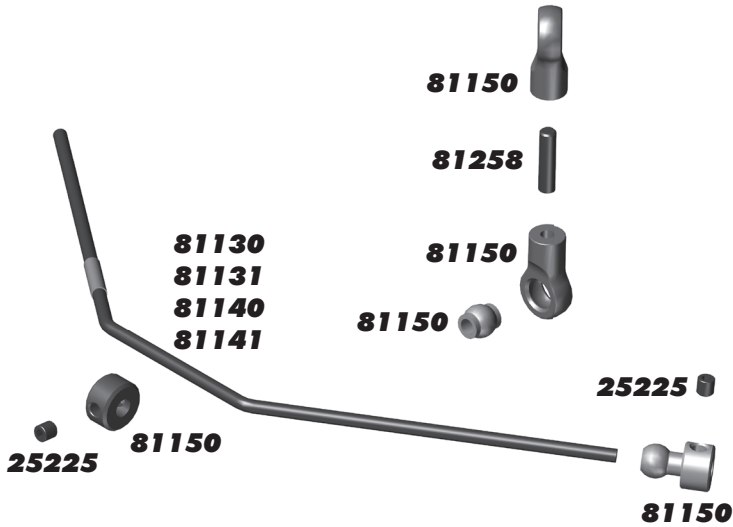
:: Fuel Tank

3719	Nylon Wire Tie, 6"	1
25211	3 x 10mm BHCS	20
31520	2.5 x 6mm BHCS	6
81120	RC8B3 Fuel Tank	1
81122	RC8B3 Tank Post / Grommet	2 ea.
81262	4 x 10mm FHCS	6
89218	3 x 8mm Washer	10



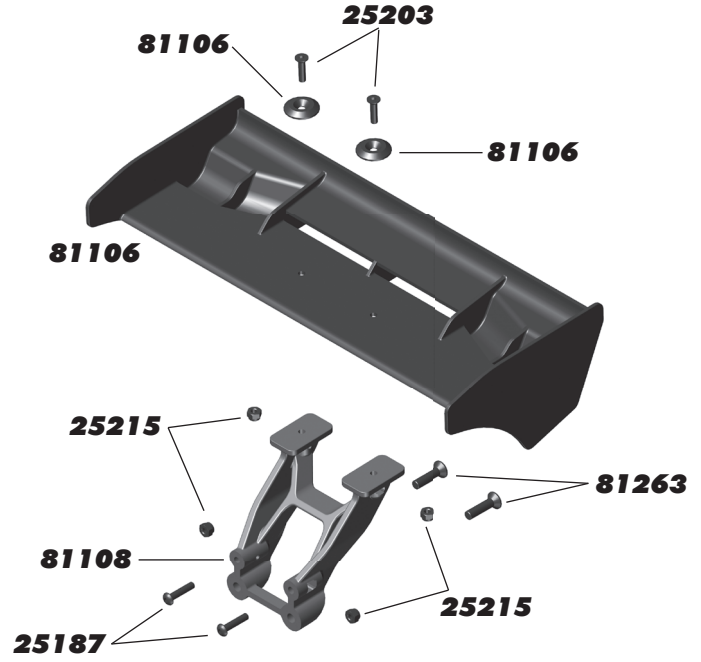
:: Anti-Roll Bars

25225	3 x 3mm Set Screw	20
81130	RC8B3 Front Anti-Roll Bars, (2.3 - Black, 2.4 - Green, 2.5 - White)	1 ea.
81131	RC8B3 Front Anti-Roll Bars, (2.6 - Gray, 2.7 - Blue, 2.8 - Yellow)	1 ea.
81140	RC8B3 Rear Anti-Roll Bars, (2.5 - White, 2.6 - Gray, 2.7 - Blue)	1 ea.
81141	RC8B3 Rear Anti-Roll Bars, (2.8 - Yellow, 2.9 - Red, 3.0 - Orange)	1 ea.
81150	RC8B3 Anti-Roll Bar Drop Link / Collet	1
81258	3 x 12mm Set Screw	6



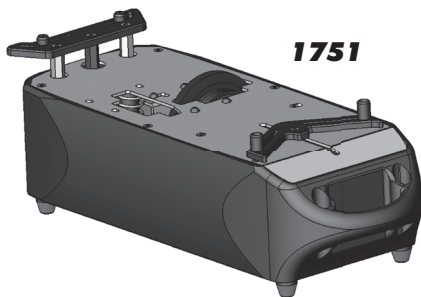
:: Wing

25187	3 x 14mm BHCS	20
25203	3 x 12mm FHCS	20
25215	M3 Locknut, Black	20
81106	RC8B3 Wing, Black (1 wing, 2 wing buttons)	1
81108	RC8B3 Wing Mount, 1 high, 1 low	1 ea.
81263	4 x 16mm FHCS	6



:: Fueling Supplies

1738	FT Glow Starter	2
1747	Nitro Fuel Bottle 500cc	1
1751	FT Compact Starter Box	1
7724	Fuel Line 15"	1
7725	Fuel Line 3'	1
7994	D-Size Glow Ignitor	1



:: Wheels / Tires / Bodies / Decals

726	Reedy 2016 Sticker Set	1
3840	AE 2016 Logo Decal Sheet	1
3834	AE Blue Embossed Logo Sticker	2
9787	FT Chassis Protective Sheet	1
81110	RC8B3 Pro Line Body	1
81270	RC8B3 Decal Sheet	1
89152	RC8 Wheels (White)	4
89153	RC8 Wheels (Yellow)	4
89255	RTR Pre-Glued Wheel/Tire (White)	Pr.
89296	RC8 83mm Wheels (White)	4
89297	RC8 83mm Wheels (Yellow)	4



:: Factory Team and Option Parts

2357	Rear Exhaust Manifold Springs	2
7733	Exhaust Tubing Coupler	1
25094	Exhaust Manifold Springs	2
25392	3mm Blue Locknut, Flanged	10
29213	Servo Wire Extension	1
31550	M3 Aluminum Lock Nut	6
89094	Nyloc Wheel Hex Nuts, Blue	2
89095	Wheel Hex, Aluminum	2
89123	RC8 Heatsink Brake Disc	2
89127	Clutch Bell, 17T, (3 Shoe)	1
89133	1.0mm Clutch Spring, (3 Shoe)	3
89136	RC8 Flywheel, Hard	1
89146	RC8/T Clutch Shoes, Hard, (3 Shoe)	3
89147	Header Gasket	4
89157	0.9mm Clutch Spring, (3 Shoe)	3
89158	1.1mm Clutch Spring, (3 Shoe)	3
89159	Short Clutch Nut	1
89161	Steering Bearing Set	1
89181	Muffler to Header Spring	3
89229	Blue Countersunk Washer	10
89265	Fiber Clutch Shoe, (3 Shoe)	3
89273	RTR Tuned Pipe	1
89274	RTR Header	1
89405	Nyloc Wheel Nuts (Silver)	4
89406	Nyloc Wheel Nuts (Black)	4
89473	Steel Shock Standoff	2
89495	RC8 FT Light Spur Gear, 44T	1

:: Lubes & Adhesives / Misc.

1105	FT Green Slime Shock Lube	1
1596	FT Locking Adhesive	1
1597	FT Tire Adhesive	1
5450	Silicone Diff Fluid 1,000CST	1
5451	Silicone Diff Fluid 2,000CST	1
5452	Silicone Diff Fluid 3,000CST	1
5444	Silicone Diff Fluid 4,000CST	1
5453	Silicone Diff Fluid 5,000CST	1
5446	Silicone Diff Fluid 6,000CST	1
5447	Silicone Diff Fluid 15,000CST	1
5454	Silicone Diff Fluid 7,000CST	1
5455	Silicone Diff Fluid 10,000CST	1
5456	Silicone Diff Fluid 20,000CST	1
5457	Silicone Diff Fluid 30,000CST	1
5458	Silicone Diff Fluid 60,000CST	1
5448	Silicone Diff Fluid 80,000CST	1
5459	Silicone Diff Fluid 100,000CST	1
5461	Silicone Diff Fluid 200,000CST	1
5463	Silicone Diff Fluid 500,000CST	1
5465	Silicone Diff Fluid 1,000,000CST	1
6588	Black Grease - 4cc	1
6591	S.Diff Lube - 4cc	1
6636	Silicone Grease - 4cc	1
6727	Servo Tape	2
7710	FT Foam Prefilter Treatment, 1 oz.	1



1596

:: Reedy Batteries

302	AA Alkaline 1.5V (4)	1
304	LiPo Pro TX/RX Battery 1600mAh 7.4V Flat	1
305	LiFe Pro TX/RX Battery 1300mAh 6.6V Flat	1
315	LiPo Pro TX/RX Battery 2100mAh 7.4V Flat	1
324	LiPo 20C 2100mAh 14.8V Starter Box	1
612	NiMH RX Battery 1600mAh 6.0V Hump	1
613	NiMH RX Battery 1600mAh 6.0V Flat	1
631	LiPo RX Battery 2100mAh 7.4V	1
636	6.0V 5A Voltage Regulator	1
637	LiPo TX Battery - M11X 2500mAh 7.4V	1

:: Reedy Chargers and Accessories

616	423-S AC 35W Compact Balance Charger	1
616CN	423-S Charger/ 3000mAh NiMH Battery	1
616CL	423-S Charger/ 3300mAh LiPo Battery	1
27200	1216-C2 Dual AC/DC Comp. Battery Charger	1
27200CN	1216-C2 Dual AC/DC Comp. Battery Charger - CHN Plug	1
27200EU	1216-C2 Dual AC/DC Comp. Battery Charger - EURO Plug	1
27200UK	1216-C2 Dual AC/DC Comp. Battery Charger - UK Plug	1
27201	324-S AC LiPo/LiFe Compact Balance Charger	1
27220	7-in-1 Universal Charge Lead (4mm)	1
27221	T-plug Charge Lead (4mm)	1
27222	XH 2-6S Balance Board (4mm)	1
27223	RX Charger Lead FUT (4mm)	1
27224	US to IEC 320 C5 angle 1M AC Power Cord	1
27225	US to IEC 320 C5 angle .5M AC Power Cord	1
27226	EU to IEC 320 C5 angle 1M AC Power Cord	1
27227	UK to IEC 320 C5 angle 1M AC Power Cord	1
27228	AU to IEC 320 C5 angle 1M AC Power Cord	1
27229	CN to IEC 320 C5 angle 1M AC Power Cord	1

:: Reedy Nitro Engine Accessories

27100	RS1206 Digital HV Hi-Speed Competition Servo	1
27101	RT1508 Digital HV Hi-Torque Competition Servo	1
27102	RS1206 Servo Case Set w/screws	1
27103	RS1206 Servo Gear Set	1
27104	RT1508 Servo Case Set w/screws	1
27105	RT1508 Servo Gear Set	1
27106	RS1806A Digital HV Hi-Speed Alum. Comp. Servo	1
27107	RT2207A Digital HV Hi-Speed Alum. Comp. Servo	1
27120	RS1806A Servo Gear Set	1
27121	RT2207A Servo Gear Set	1
27122	Reedy Aluminum Servo Horn (25)	1
27123	Reedy Aluminum Clamping Servo Horn (25)	1

:: XP Electronics

29166	XP DS1313 Digital Servo	1
29167	XP DS1015 Digital Servo	1
29168	XP DS1510 Digital Servo	1
29210	1015 Servo Gear Set	1
29216	XP3G 2.4GHz Radio System	1
29253	XP DS1510 Metal Gear Set	1

:: Tools

1111	FT Turnbuckle Wrench	1
1113	12mm Big Bore Shock Tool	1
1114	FT Dual Turnbuckle Wrench	1
1449	FT Off Road Ride Height Gauge	1
1519	FT Hex/Nut Driver Tool Set, 5pc.	1
1541	FT Hex Driver Set, (7 pcs)	1
1545	FT 5/64" Blue Hex Driver	1
1546	FT 3/32" Gold Hex Driver	1
1567	FT 8mm Gold Nut Driver	1
1568	Factory Team 5.5mm Short Nut Driver	1
1569	Factory Team 7mm Nut Driver, T-Handle	1
1570	Factory Team 7.0mm Short Nut Driver	1
1590	FT 3/32" Gold Ball Hex Driver	1
1592	FT Ball Hex Driver Set, (3 pcs)	1
1655	FT 8-Piece 1/4" Hex Drive Set	1
1656	FT 1/4" Hex Drive Handle, without tips	1
1657	FT 1/4" Hex Drive .050" Tip	1
1658	FT 1/4" Hex Drive 1/16" Tip	1
1659	FT 1/4" Hex Drive 5/64" - 2.0mm Tip	1
1660	FT 1/4" Hex Drive 3/32" Tip	1
1661	FT 1/4" Hex Drive 1.5mm Tip	1
1662	FT 1/4" Hex Drive 2.5mm Tip	1
1663	FT 1/4" Hex Drive 3/16" Nut Driver Tip	1
1664	FT 1/4" Hex Drive 1/4" Nut Driver Tip	1
1665	FT 1/4" Hex Drive 11/32" Nut Driver Tip	1
1666	FT 1/4" Hex Drive 5.5mm Nut Driver Tip	1
1667	FT 1/4" Hex Drive 7.0mm Nut Driver Tip	1
1668	FT 1/4" Hex Drive 8.0mm Nut Driver Tip	1
1669	FT 1/4" Hex Drive 5/64" - 2.0mm Ball End Tip	1
1670	FT 1/4" Hex Drive 3/32" Ball End Tip	1
1671	FT 1/4" Hex Drive Standard Screwdriver Tip	1
1672	FT 1/4" Hex Drive Phillips Screwdriver Tip	1
1673	FT 1/4" Hex Drive 2.5mm Ball End Tip	1
1674	FT 1/4" 5 Piece Power Tool Tips Set (5/64"-2.0mm, 1.5mm, 2.5mm, 5/64"- 2.0mm ball, 2.5mm ball)	1
1675	FT Shock Shaft Pliers	1
1719	FT Camber + Track Width Tool	1
1737	FT Body Scissors	1
3718	12 Inch Nylon Wire Ties	12
3719	6 Inch Nylon Wire Ties	12
3720	8 Inch Nylon Wire Ties	12
3987	Composite Droop Gauge	1
6429	Shock Building Tool	1
6956	Molded Tools, Set	1
7709	4 Inch Nylon Wire Ties	12

:: Kicker

29269	KICKER KPw Wireless Speaker System, black	1
29270	KICKER KPw Wireless Speaker System, white	1

:: Apparel / Promotional

SP11	2016 Worlds T-shirt, blue, (S, M, L, XL-5XL)	1
SP12	2016 Worlds T-shirt, black, (S, M, L, XL-5XL)	1
SP13**	AE Lite Jacket - Black - (S, M, L, XL, 2XL)	1
SP14**	AE 2015 Worlds T-Shirt - Blue (S, M, L, XL-5XL)	1
SP15**	AE 2015 Worlds T-Shirt - Black (S, M, L, XL-5XL)	1
SP17**	AE INT'L T-Shirt - Black (S, M, L, XL-5XL)	1
SP18**	AE INT'L T-Shirt - White (S, M, L, XL-5XL)	1
SP19**	AE INT'L Hoodie - Black (S, M, L, XL-3XL)	1
SP20	AE Patch Trucker Hat	1
SP23**	AE Splash T-shirt - Black (S, M, L, XL-5XL)	1
SP24**	AE Splash T-shirt - Blue (S, M, L, XL-5XL)	1
SP29	Team Associated Countertop / Setup Mat	1
SP30	Team Associated Pit Mat	1
SP31	Reedy Countertop / Setup Mat	1
SP38	Reedy Trucker Hat	1
SP71**	AE Winter Jacket - Black (S, M, L, XL, 2XL)	1
SP112*	Reedy Medallion T-Shirt - Black (S, M, L, XL-3XL)	1
SP421S	AE 2012 Hat, Black, Flat Bill, S/M	1
SP421L	AE 2012 Hat, Black, Flat Bill, L/XL	1
SP422S	AE 2012 Hat, Black, Curved Bill, S/M	1
SP422L	AE 2012 Hat, Black, Curved Bill, L/XL	1
SP423S	AE 2012 Hat, White, Flat Bill, S/M	1
SP423L	AE 2012 Hat, White, Flat Bill, L/XL	1
SP424S	AE 2012 Hat, White, Curved Bill, S/M	1
SP424L	AE 2012 Hat, White, Curved Bill, L/XL	1
SP425	FT Fluid Carrier	1
715	Reedy 2009 Track Banner	1
110684	Team Associated Track Banner	1
110685	Team Associated Cloth Banner	1
110686	Reedy Circuit Cloth Banner	1
29269	KICKER KPw Wireless Speaker System, (black)	1
29270	KICKER KPw Wireless Speaker System, (white)	1

** Use part number plus the desired size when ordering!

:: Contact Information

Check out the following web sites for all of our electric kits, current products, new releases, setup help, tips, and racing info!

Associated Electrics, Inc.
 26021 Commercentre Drive
 Lake Forest, CA 92630-8853 USA
<http://www.RC10.com>
http://twitter.com/Team_Associated
<https://www.instagram.com/teamassociatedrc/>
<http://www.facebook.com/TeamAssociated/>

call: (949) 544-7500
 fax: (949) 544-7501



**Associated Electrics, Inc.
26021 Commercentre Dr.
Lake Forest, CA 92630 USA**

<http://www.RC10.com>

https://twitter.com/Team_Associated

<https://www.instagram.com/teamassociatedrc/>

<https://www.facebook.com/TeamAssociated/>

call: (949) 544-7500 - fax: (949) 544-7501

**Check out the following web sites for all of our kits,
current products, new releases, setup help, tips, and racing info!
www.TeamAssociated.com - www.RC10.com**